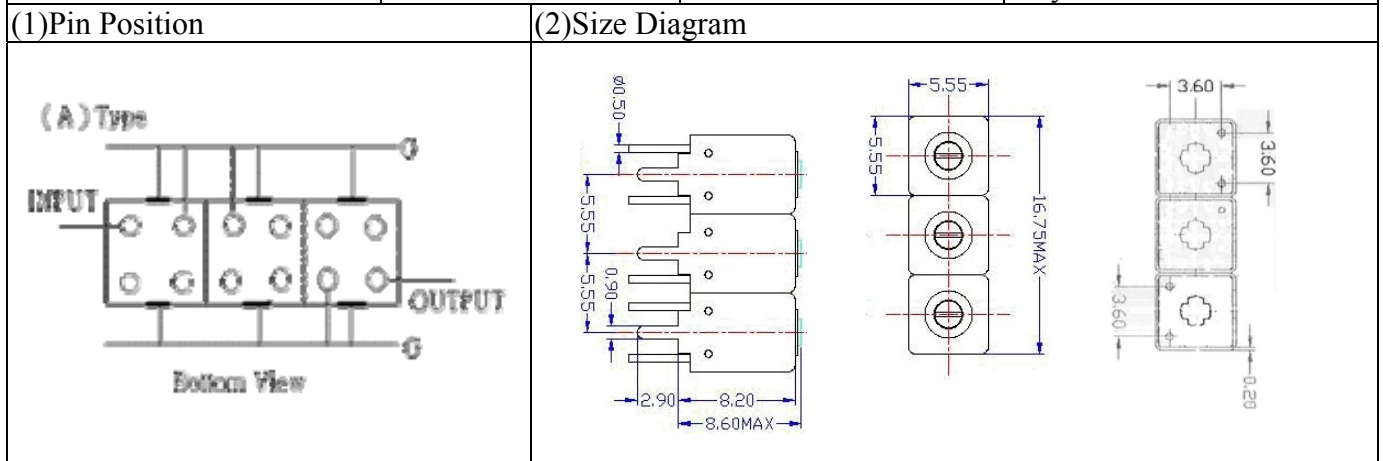


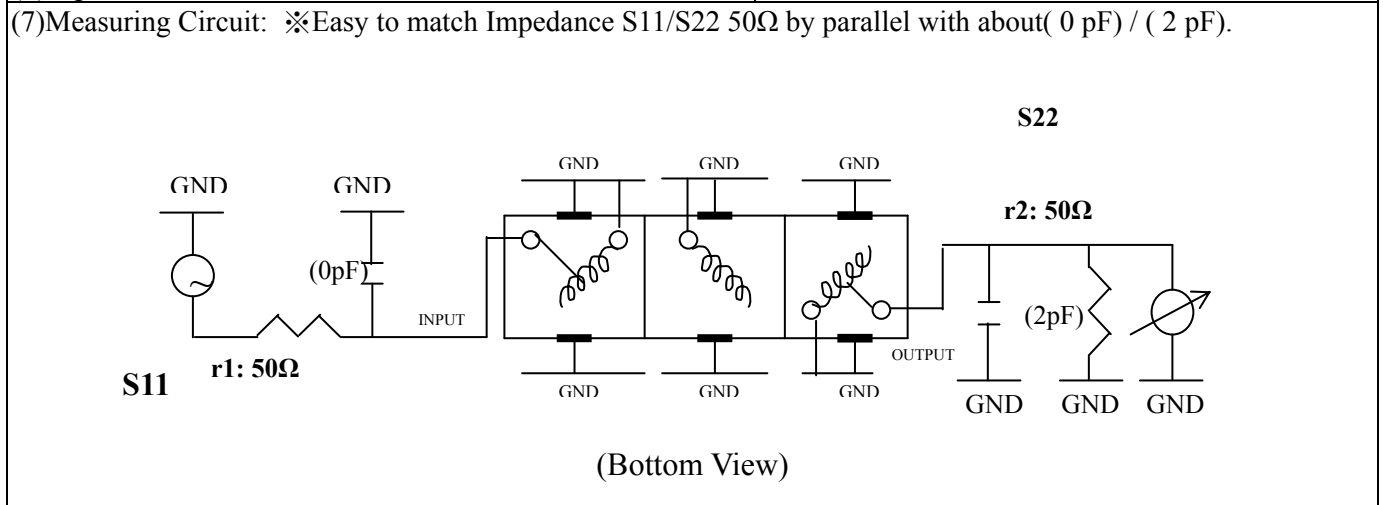
# VHF UHF Helical Filter Specification Sheet

Customer Name		Temwell's Part No.	TTW3422A-380M
Approval No. /dated	0904025CD	Temwell's Print Name.	3422A 380M
Work Instruction No.	200904025CD	Date	May.06.2009



(3) Electric Characteristic			
Item		Specify	Performance
Center Freq.(Fo ) +/- 0.5 %		380 MHz	380 MHz
Tunable Range:		380±3 MHz	380±3 MHz
Insertion Loss		Typ 4.5 dB	3.40 dB
-3 dB Bandwidth		Typ. 16 MHz	18.5 MHz
Sensitivity (Attenuation )	Fo -30 MHz	Typ. 30 dBc	33 dBc
	Fo +30 MHz	Typ. 28 dBc	31 dBc
	Fo -( )MHz	Typ. dBc	dBc
	Fo +( )MHz	Typ. dBc	dBc
Return Loss		Min. 12 dB	22.2 dB
Ripple		< 1 dB	dB
Impedance		In / Out : 50Ω	In / Out : 50Ω
(4) Torque for Tuning Screw		> 100gf · cm	

(5) Temperature Condition:	
Operating Temperature	0°C ~ +60°C
Storage Temperature	-20°C ~ +70°C
(6) Input Power	>0.5Watt

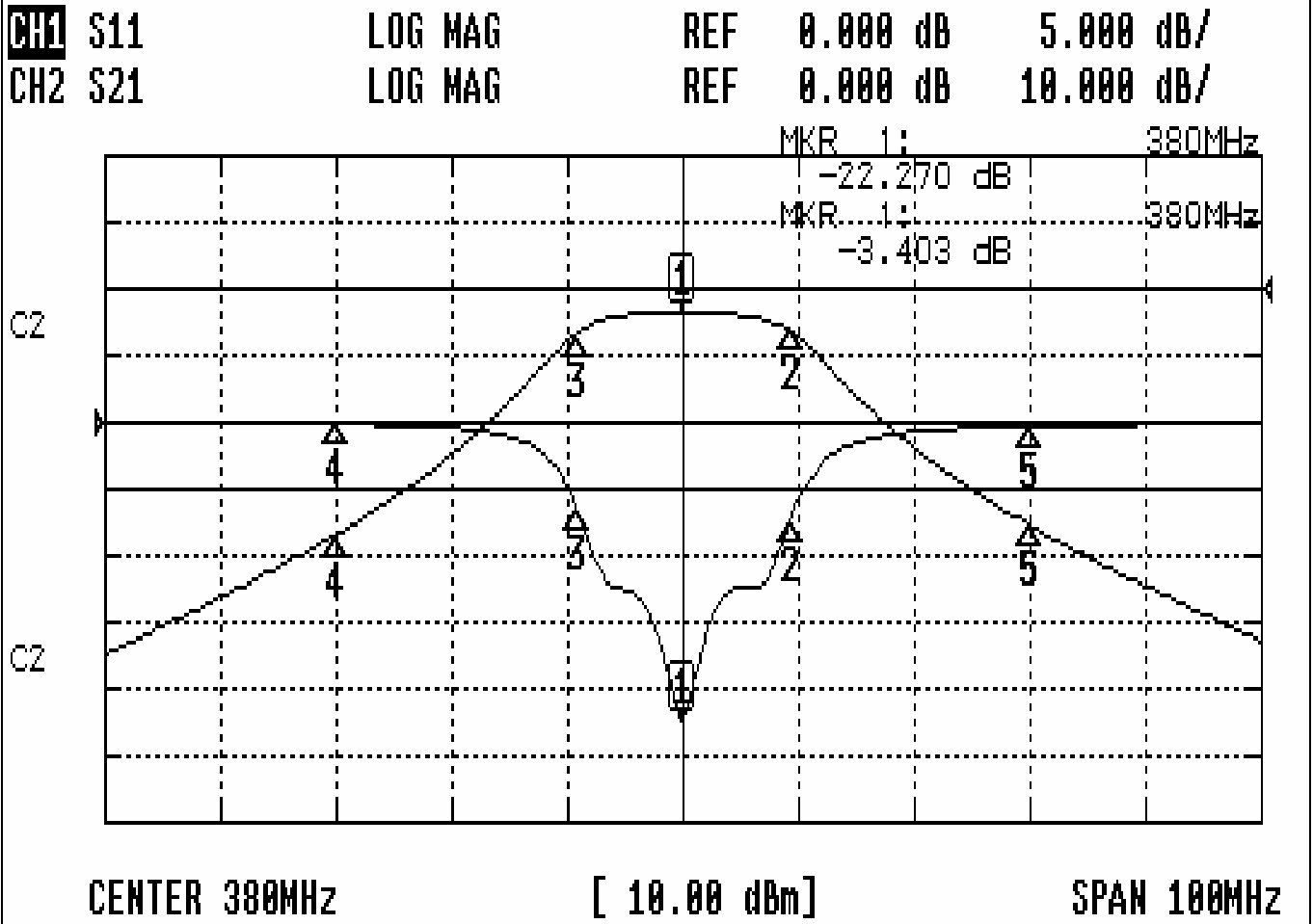


Approval C.Y.Chang	Supervisor C.K.Chang	Designer J.F.Lin	Aperture size 5W3(3.8*4.0)(4.05) 5HW00LB3
-----------------------	-------------------------	---------------------	---

TEMWELL CORPORATION

# Performance-TTW3422A-380M

## 200904025CD



### CH1 MARKER LIST

1:	380.000MHz	-22.278	dB
2:	389.416MHz	-7.267	dB
3:	370.916MHz	-6.487	dB
4:	350.000MHz	-0.106	dB
5:	410.000MHz	-0.262	dB

### CH2 MARKER LIST

1:	380.000MHz	-3.403	dB
2:	389.416MHz	-11.415	dB
3:	370.916MHz	-11.479	dB
4:	350.000MHz	-11.021	dB
5:	410.000MHz	-11.376	dB