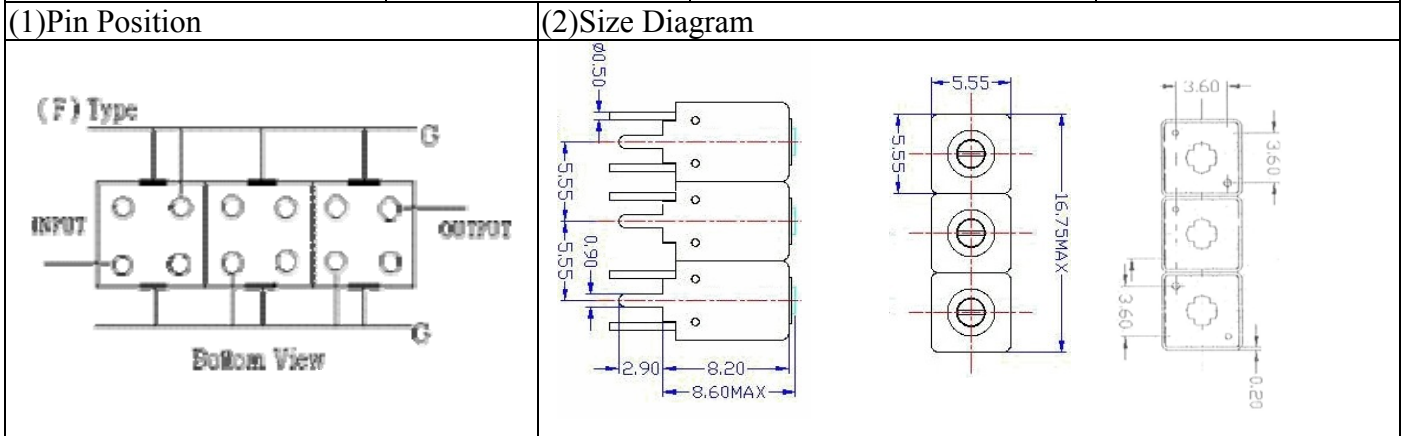


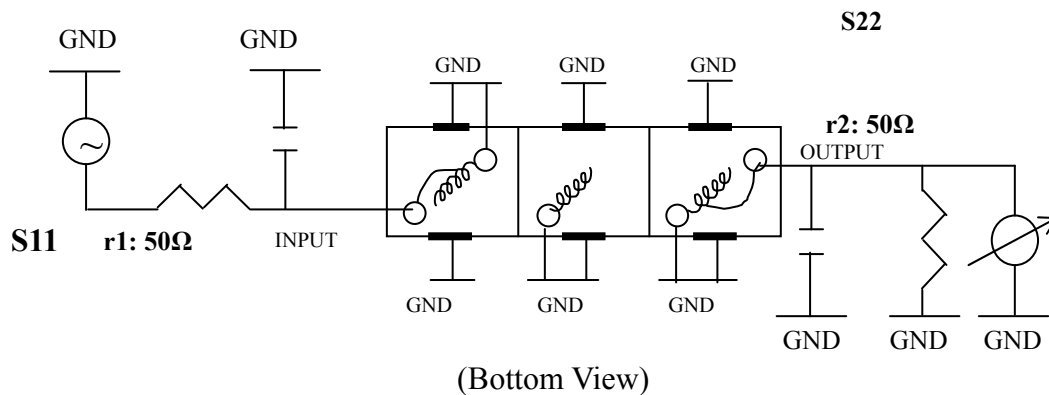
# VHF UHF Helical Filter Specification Sheet

Customer Name		Temwell's Part No.	TTW3423F-404M
Approval No. /dated		Temwell's Print Name.	3423F 404M
Work Instruction No.	201406075CD	Date	Jul.04.2014



(3) Electric Characteristic		Item	Specify	Performance
		Center Freq.(Fo) +/- 0.5 %	404 MHz	404 MHz
		Insertion Loss	Typ. 3.5 dB	2.76 dB
		-3 dB Bandwidth	Typ. 16 MHz	18.5 MHz
Sensitivity (Attenuation)	Fo - 50 MHz	Typ. 47 dBc	50 dBc	
	Fo + 50 MHz	Typ. 32 dBc	35 dBc	
	Fo - ( )MHz	Typ. dBc	dBc	
	Fo + ( )MHz	Typ. dBc	dBc	
		Return Loss	Min 12 dB	31.2 dB
		Ripple	< 1 dB	dB
		Impedance	In / Out : 50 Ω	In / Out : 50 Ω
(4) Torque for Tuning Screw			> 60gf · cm	
(5) Temperature Condition:				
Operating Temperature			0°C ~ +60°C	
Storage Temperature			-20°C ~ +70°C	
(6) Input Power			> 0.5Watt	

(7) Measuring Circuit: ※Easy to match Impedance S11/S22 50Ω by parallel with about(--).



Approval	Supervisor	Designer	Aperture size
C.Y.Chang	C.K.Chang	C.S.Chang	5W3S(3.8*3.5)(3.58) 5HW024LB3.6
TEMWELL CORPORATION			

# Performance-TTW3423F-404M

## 201406075CD

Tr1 S11 Log Mag 5.000dB/ Ref 0.000dB [F2]  
Tr2 S21 Log Mag 10.00dB/ Ref 0.000dB [F2]

