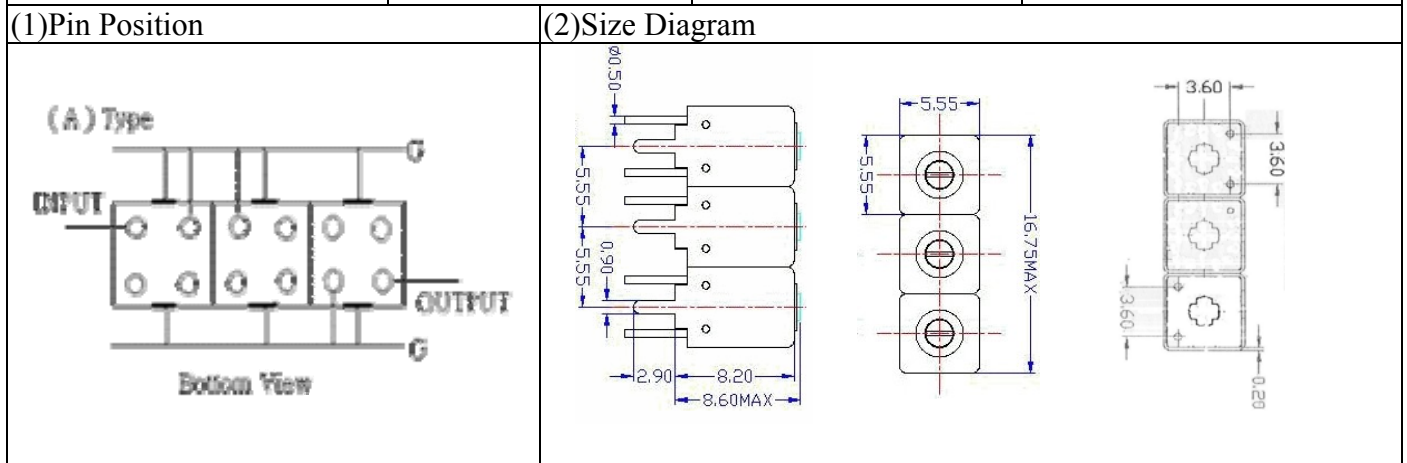


VHF UHF Helical Filter Specification Sheet

Customer Name		Temwell's Part No.	TTW3438A-460M
Approval No. /dated	201406069CD	Temwell's Print Name.	3438A 460M
Work Instruction No.	201406069CD	Date	Jul.04.2014



(3) Electric Characteristic

Item	Specify	Performance	
Center Freq.(Fo) +/- 0.5 %	460 MHz	460 MHz	
Insertion Loss	Typ 3.5 dB	2.32 dB	
-3 dB Bandwidth	Typ. 17 MHz	22.0 MHz	
Sensitivity (Attenuation)	Fo - 50 MHz	Typ. 39 dBc	42 dBc
	Fo + 50MHz	Typ. 33 dBc	36 dBc
	Fo - ()MHz	Typ. dBc	dBc
	Fo +()MHz	Typ. dBc	dBc
Return Loss	Min. 12 dB	22.1 dB	
Ripple	< 1 dB	dB	
Impedance	In / Out : 50Ω	In / Out :50 Ω	

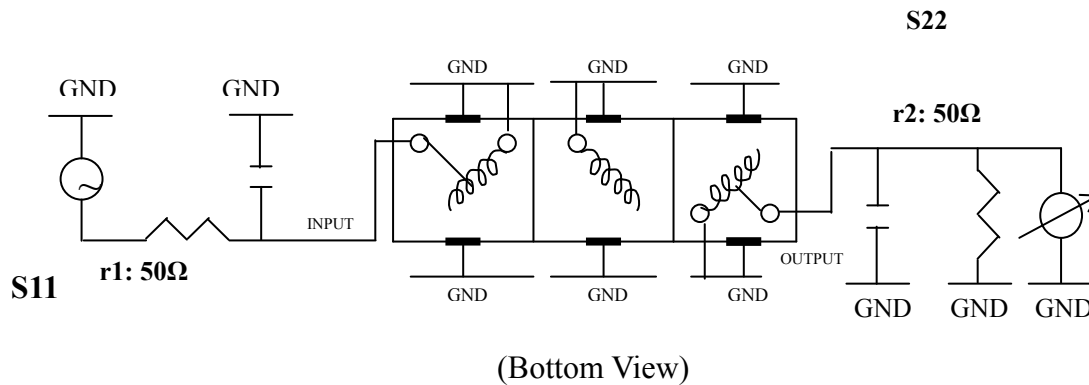
(4) Torque for Tuning Screw > 60gf · cm

(5) Temperature Condition:

Operating Temperature	0°C ~ +60°C
Storage Temperature	-20°C ~ +70°C

(6) Input Power >0.5Watt

(7) Measuring Circuit: ※Easy to match Impedance S11/S22 50Ω by parallel with about(- -).



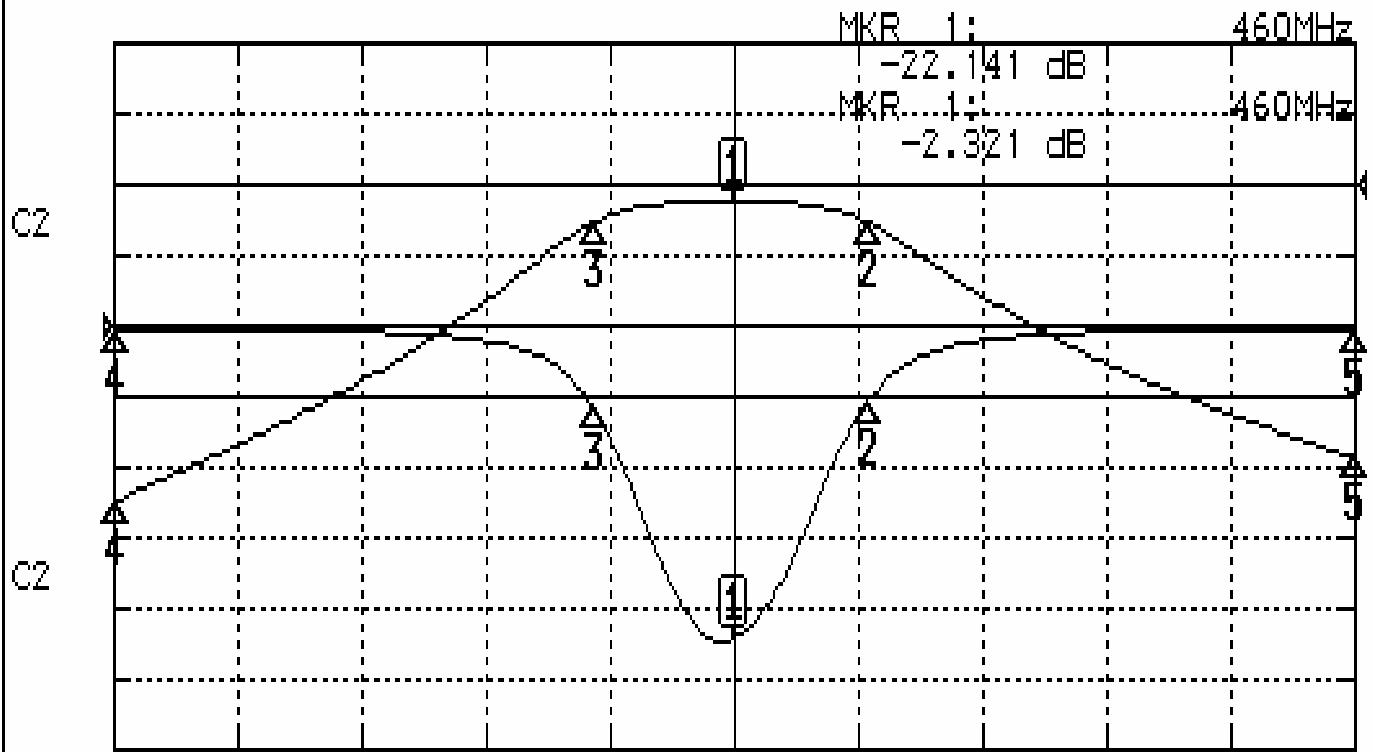
Approval C.Y.Chang	Supervisor C.K.Chang	Designer Y.L.Pan	Aperture size 5W3S(3.8*4.5)(4.57) 5HW024RB3
-----------------------	-------------------------	---------------------	---

TEMWELL CORPORATION

Performance-TTW3438A-460M

201406069CD

CH1 S11 LOG MAG REF 0.000 dB 5.000 dB/
CH2 S21 LOG MAG REF 0.000 dB 10.000 dB/



CENTER 460MHz

[10.00 dBm]

SPAN 100MHz

CH1 MARKER LIST

Marker	Frequency (MHz)	Magnitude (dB)
1:	460.000MHz	-22.135 dB
2:	470.750MHz	-5.418 dB
3:	448.666MHz	-5.683 dB
4:	410.000MHz	-0.161 dB
5:	510.000MHz	-0.167 dB

CH2 MARKER LIST

Marker	Frequency (MHz)	Magnitude (dB)
1:	460.000MHz	-2.321 dB
2:	470.750MHz	-5.329 dB
3:	448.666MHz	-5.363 dB
4:	410.000MHz	-44.746 dB
5:	510.000MHz	-38.519 dB