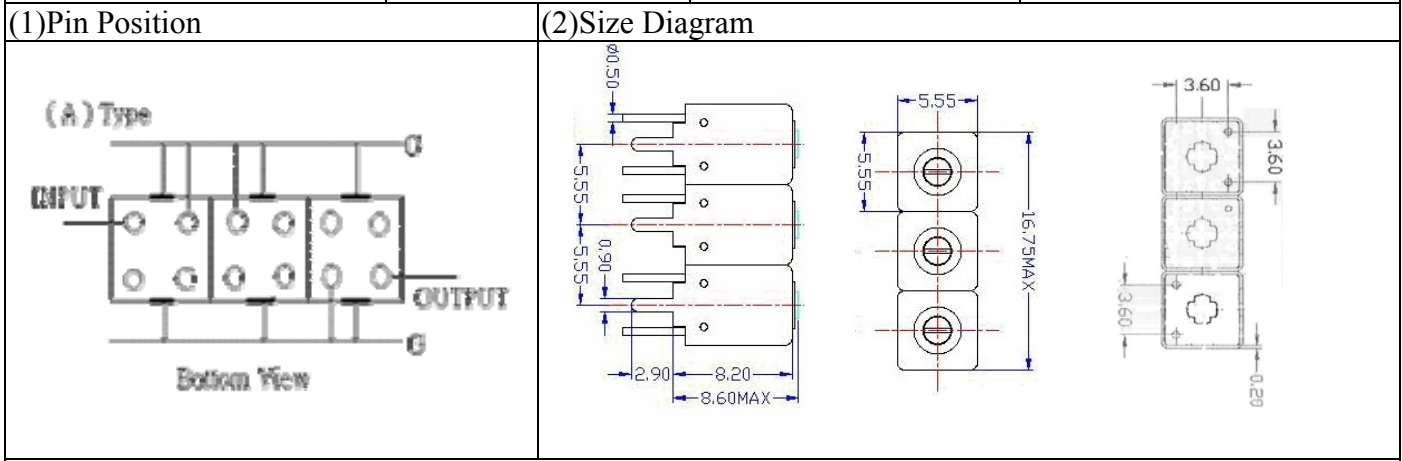


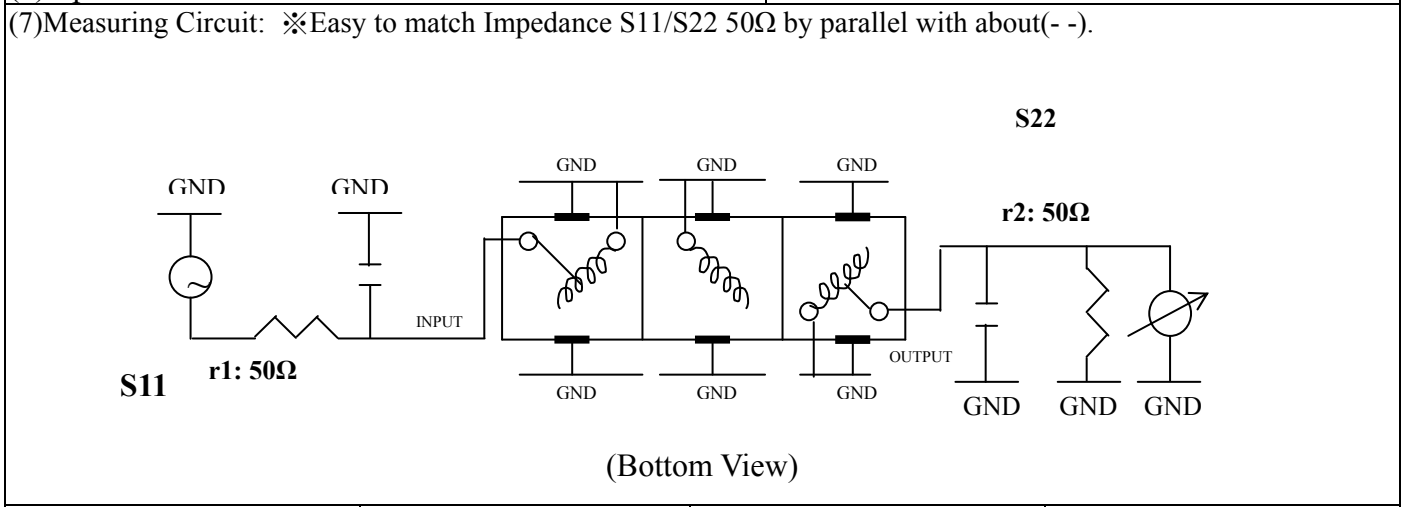
VHF UHF Helical Filter Specification Sheet

Customer Name		Temwell's Part No.	TTW3453A-510M
Approval No. /dated		Temwell's Print Name.	3453A 510M
Work Instruction No.	201406066CD	Date	Jul.03.2014



(3) Electric Chararistic

Item	Specify	Performance
Center Freq.(Fo) +/- 0.5 %	510 MHz	510 MHz
Insertion Loss	Typ 3.0 dB	2.08 dB
-3 dB Bandwidth	Typ. 22 MHz	26.5 MHz
Sensitivity (Attenuation)	Fo - 50 MHz	Typ. 31 dBc
	Fo + 50 MHz	Typ. 27 dBc
	Fo - ()MHz	Typ. dBc
	Fo +()MHz	Typ. dBc
Return Loss	Min. 12 dB	20.2 dB
Ripple	< 1 dB	dB
Impedance	In / Out : 50Ω	In / Out :50 Ω
(4) Torque for Tuning Screw	> 60gf • cm	
(5) Temperature Condition:		
Operating Temperature	0°C ~ +60°C	
Storage Temperature	-20°C ~ +70°C	
(6) Input Power	>0.5Watt	

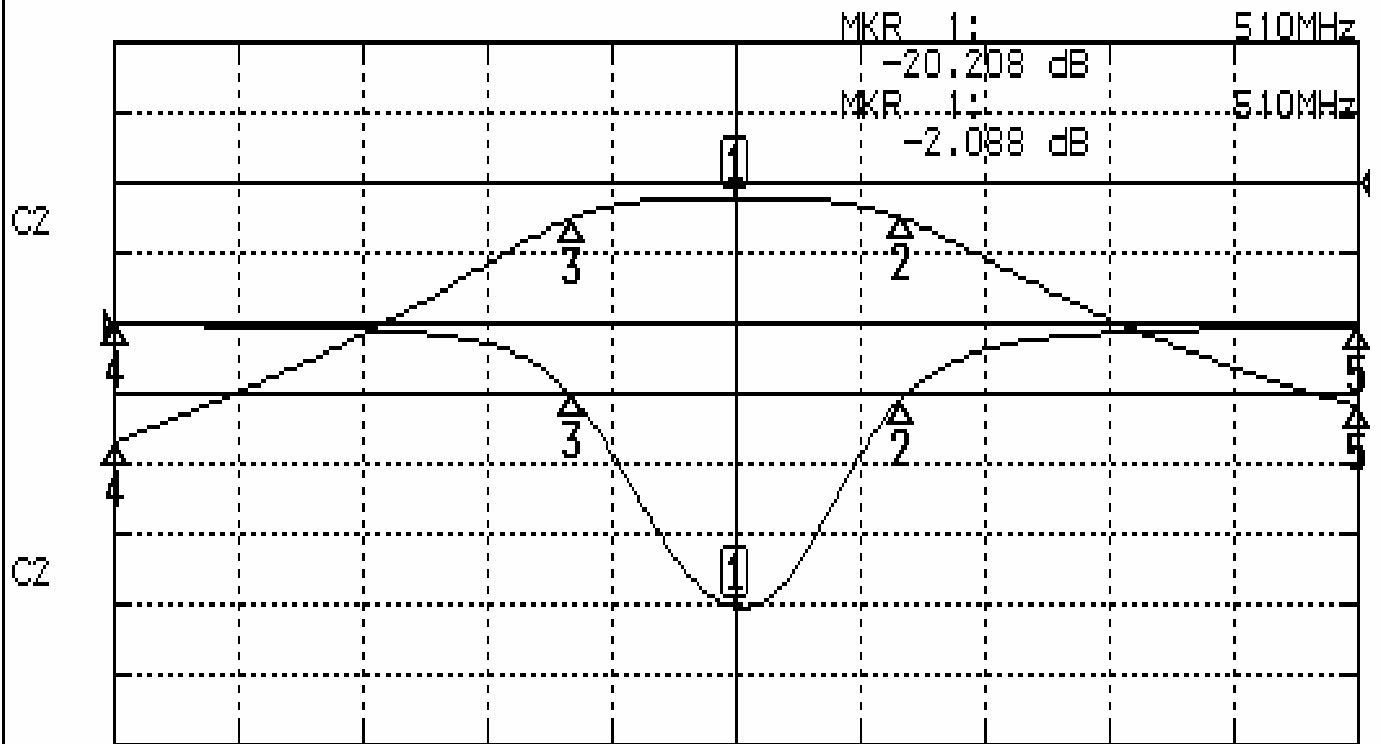


Approval C.Y.Chang	Supervisor C.K.Chang	Designer M.Y,Kang	Aperture size 5W3S(3.8*4.5)(4.58) 5HW024RB3
-----------------------	-------------------------	----------------------	---

Performance-TTW3453A-510M

201406066CD

CH1 S11 LOG MAG REF 0.000 dB 5.000 dB/
 CH2 S21 LOG MAG REF 0.000 dB 10.000 dB/



CENTER 510MHz

[10.00 dBm]

SPAN 100MHz

CH1 MARKER LIST

1:	510.000MHz	-20.208	dB
2:	523.416MHz	-15.333	dB
3:	496.833MHz	-15.177	dB
4:	460.000MHz	-0.098	dB
5:	560.000MHz	-0.246	dB
6:			
7:			
8:			
9:			
10:			

CH2 MARKER LIST

1:	510.000MHz	-2.088	dB
2:	523.416MHz	-11.088	dB
3:	496.833MHz	-11.033	dB
4:	460.000MHz	-36.842	dB
5:	560.000MHz	-31.866	dB
6:			
7:			
8:			
9:			
10:			