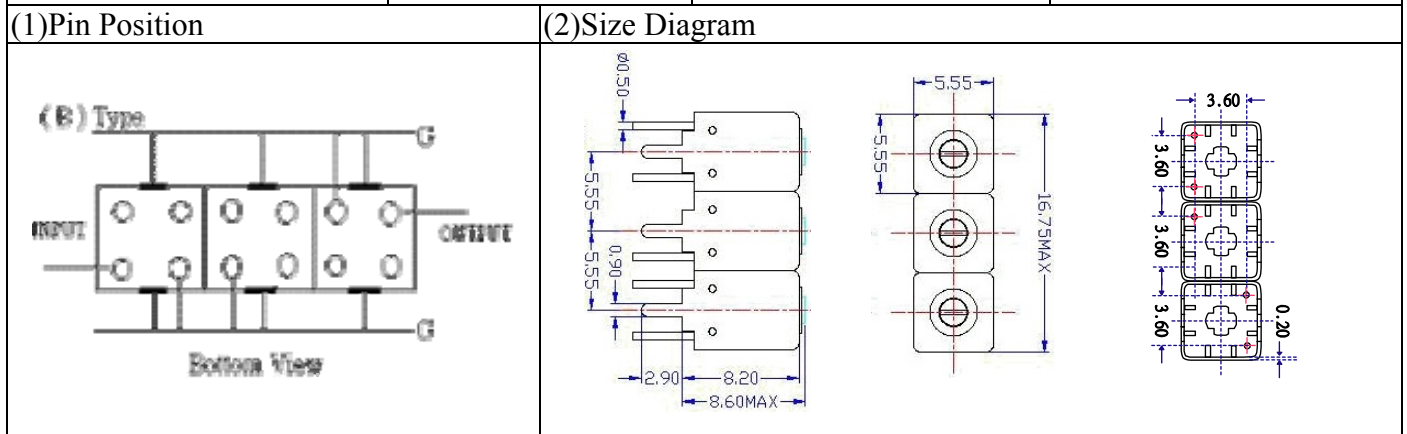


VHF UHF Helical Filter Specification Sheet

Customer Name		Temwell's Part No.	TTW3454B-540M
Approval No. /dated	201406081CD	Temwell's Print Name.	3454B 540M
Work Instruction No.	201406081CD	Date	Jul.03.2014



(3) Electric Character		Item	Specify	Performance
Center Freq.(Fo) +/- 0.5 %			540 MHz	540 MHz
Insertion Loss		Typ.	8.0 dB	6.99 dB
-3 dB Bandwidth		Typ.	5 MHz	8.1 MHz
Sensitivity (Attenuation)	Fo - 50 MHz	Typ.	47 dBc	52 dBc
	Fo + 50 MHz	Typ.	54 dBc	59 dBc
	Fo - ()MHz	Typ.	dBc	dBc
	Fo +()MHz	Typ.	dBc	dBc
Return Loss		Min.	12 dB	19.4 dB
Ripple			< 1 dB	dB
Impedance			In / Out : 50 Ω	In / Out : 50 Ω

(4) Torque for Tuning Screw > 60gf · cm

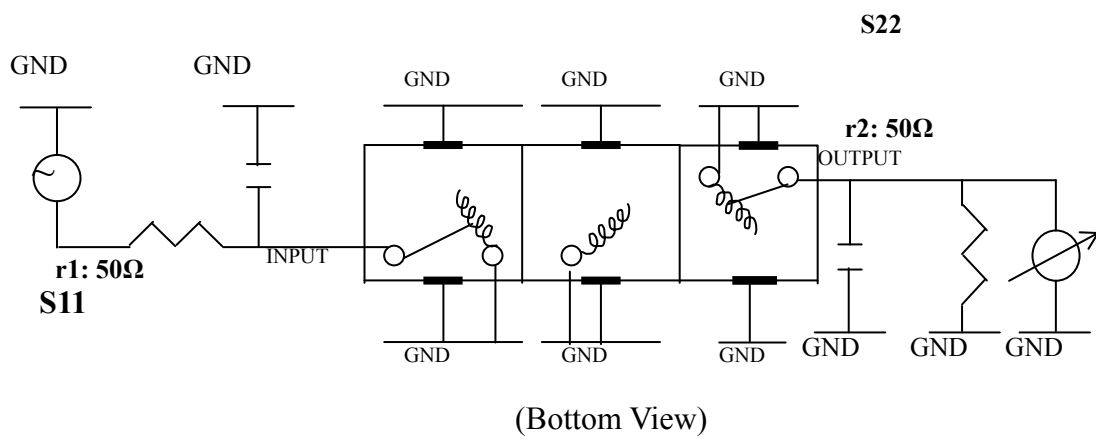
(5) Temperature Condition:

Operating Temperature 0°C ~ +60°C

Storage Temperature -20°C ~ +70°C

(6) Input Power > 0.5Watt

(7) Measuring Circuit: ※Easy to match Impedance S11/S22 50Ω by parallel with about(- -).

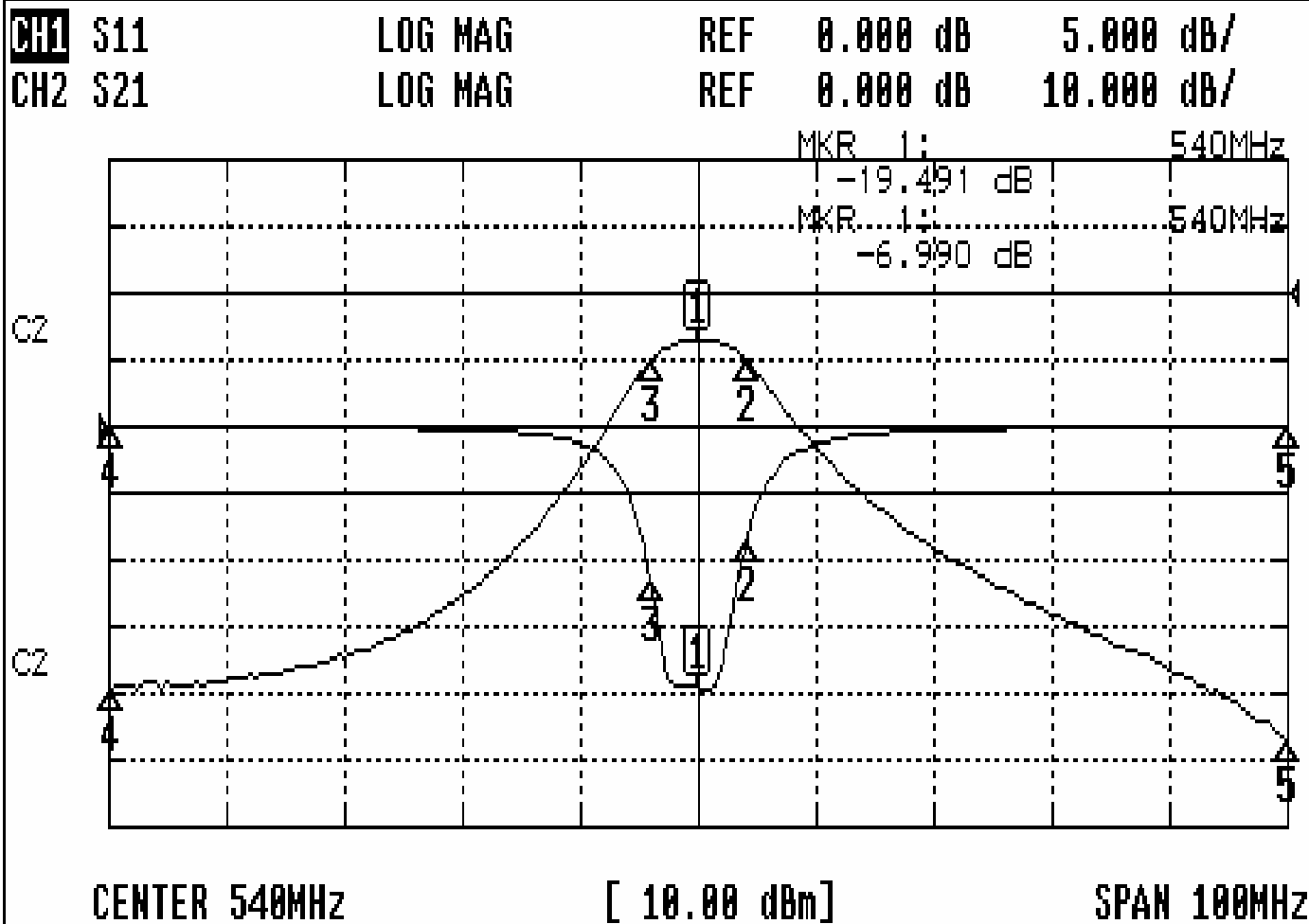


Approval	Supervisor	Designer	Aperture size
C.Y.Chang	C.K.Chang	C.Ko.Chang	5W3S(3.8*3.5)(3.59) 5HW02RB3

TEMWELL CORPORATION

Performance-TTW3454B-540M

201406081CD



CH1 MARKER LIST

1:	540.000MHz	-19.491	dB
2:	544.166MHz	-8.523	dB
3:	536.000MHz	-1.368	dB
4:	490.000MHz	-0.011	dB
5:	590.000MHz	-0.011	dB
6:			
7:			
8:			
9:			
10:			

CH2 MARKER LIST

1:	540.000MHz	-6.990	dB
2:	544.166MHz	-10.027	dB
3:	536.000MHz	-9.996	dB
4:	490.000MHz	-5.995	dB
5:	590.000MHz	-6.829	dB
6:			
7:			
8:			
9:			
10:			