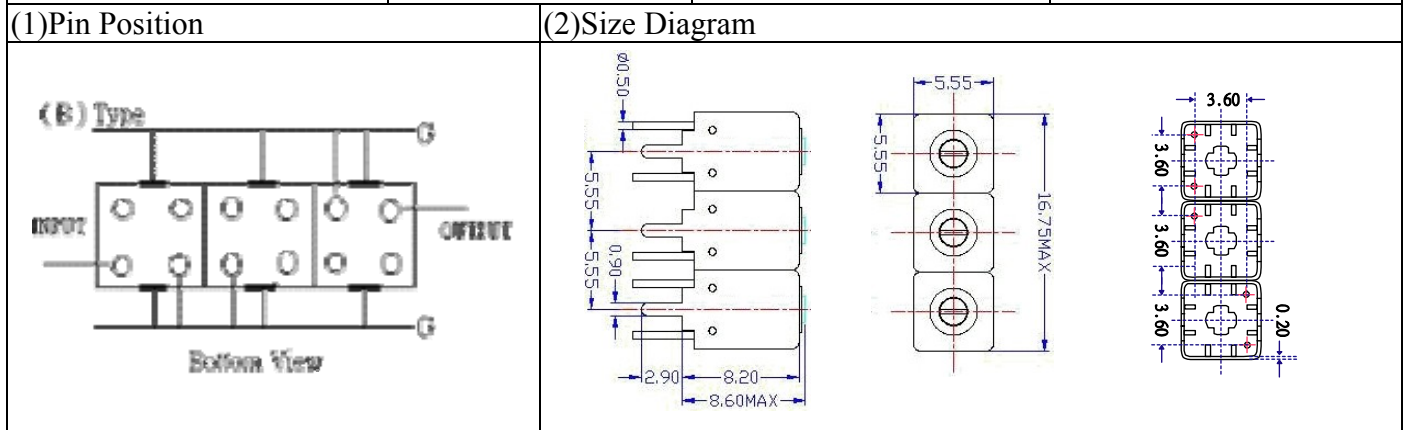


# VHF UHF Helical Filter Specification Sheet

Customer Name		Temwell's Part No.	TTW3461B-580M
Approval No. /dated		Temwell's Print Name.	3461B 580M
Work Instruction No.	201406064CD	Date	Jul.02.2014



(3) Electric Character					
Item		Specify		Performance	
Center Freq.(Fo) +/- 0.5 %		580	MHz	580	MHz
Insertion Loss		Typ.	4.0 dB	2.74	dB
-3 dB Bandwidth		Typ.	18 MHz	23.8	MHz
Sensitivity (Attenuation)	Fo - 50 MHz	Typ.	42 dBc	45	dBc
	Fo + 50 MHz	Typ.	28 dBc	32	dBc
	Fo - ( )MHz	Typ.	dBc		dBc
	Fo + ( )MHz	Typ.	dBc		dBc
Return Loss		Min.	12 dB	22.0	dB
Ripple		< 1 dB		dB	
Impedance		In / Out : 50 Ω		In / Out : 50 Ω	

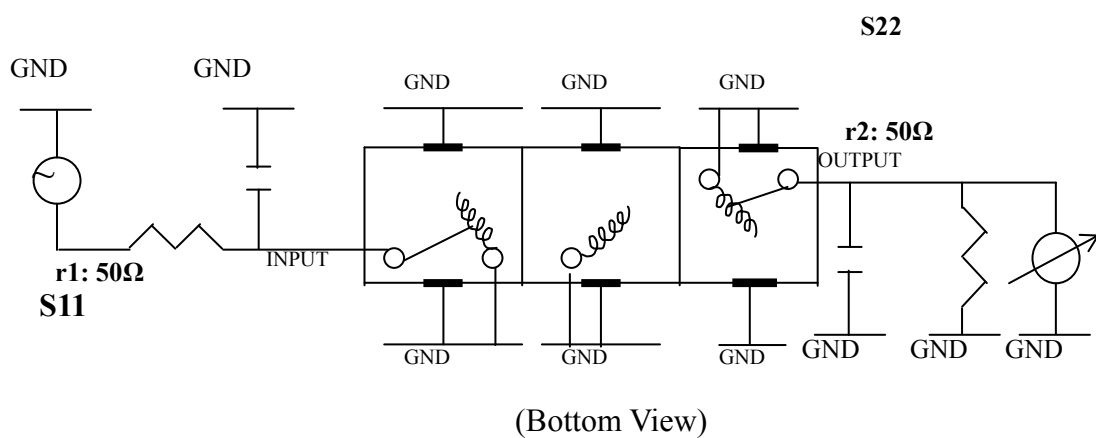
(4) Torque for Tuning Screw > 60gf · cm

(5) Temperature Condition:

Operating Temperature	0°C ~ +60°C
Storage Temperature	-20°C ~ +70°C

(6) Input Power > 0.5Watt

(7) Measuring Circuit: ※Easy to match Impedance S11/S22 50Ω by parallel with about( -- ) / ( -- ).



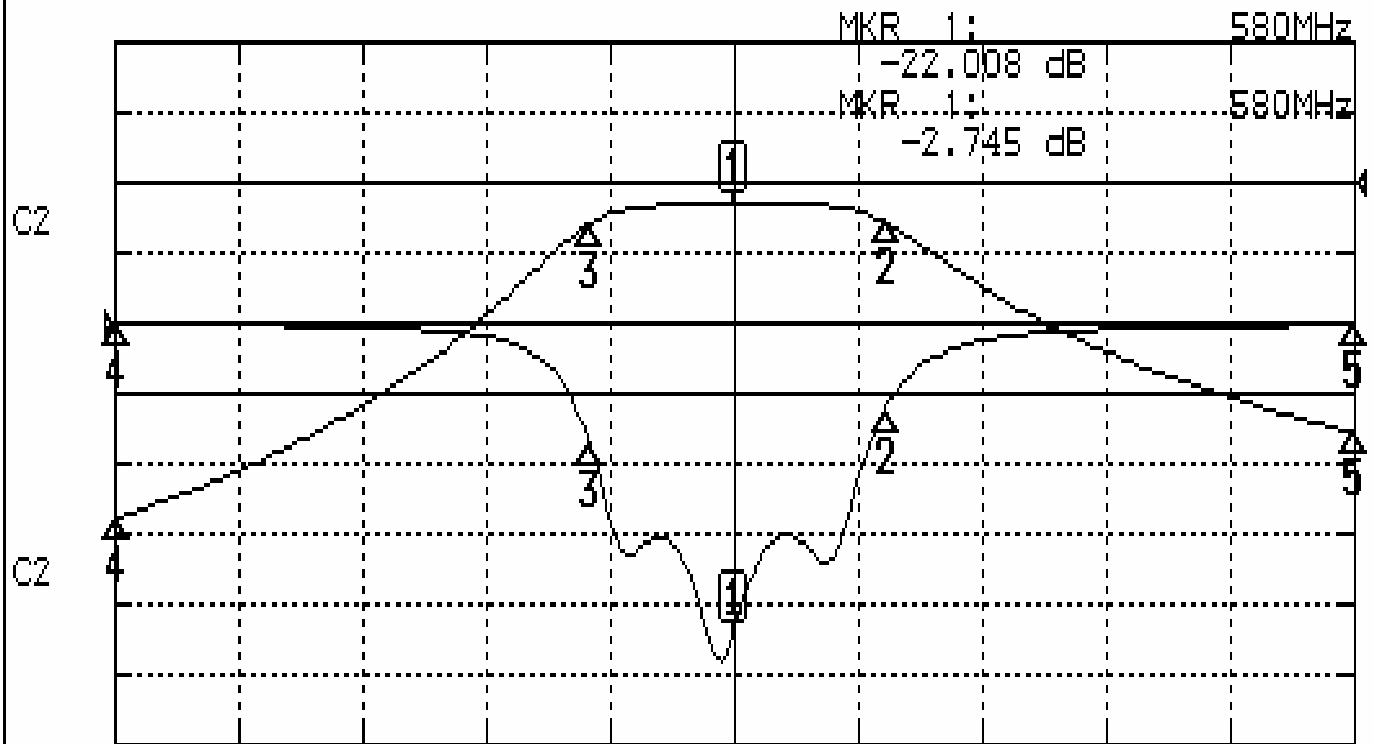
Approval	Supervisor	Designer	Aperture size
C.Y.Chang	C.K.Chang	M.Y.Kang	5W3S(3.8*4.0)(4.10) 5HW024RB3

TEMWELL CORPORATION

# Performance-TTW3461B-580M

## 201406064CD

CH1 S11 LOG MAG REF 0.000 dB 5.000 dB/  
CH2 S21 LOG MAG REF 0.000 dB 10.000 dB/



CENTER 580MHz

[ 10.00 dBm ]

SPAN 100MHz

### CH1 MARKER LIST

Marker	Frequency (MHz)	Magnitude (dB)
1	580.000	-22.008
2	592.250	-6.133
3	568.416	-8.582
4	530.000	-0.049
5	630.000	-0.111

### CH2 MARKER LIST

Marker	Frequency (MHz)	Magnitude (dB)
1	580.000	-2.745
2	592.250	-5.776
3	568.416	-5.710
4	530.000	-47.845
5	630.000	-35.537