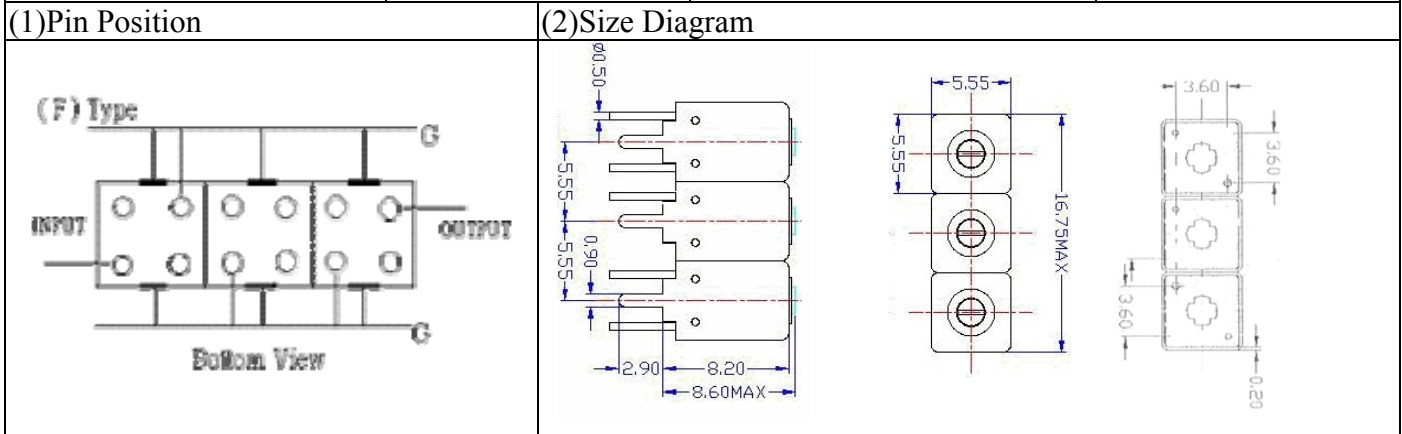


# VHF UHF Helical Filter Specification Sheet

Customer Name		Temwell's Part No.	TTW3463F-580M
Approval No. /dated	201406065CD	Temwell's Print Name.	3463F 580M
Work Instruction No.	201406065CD	Date	Jul.01.2014



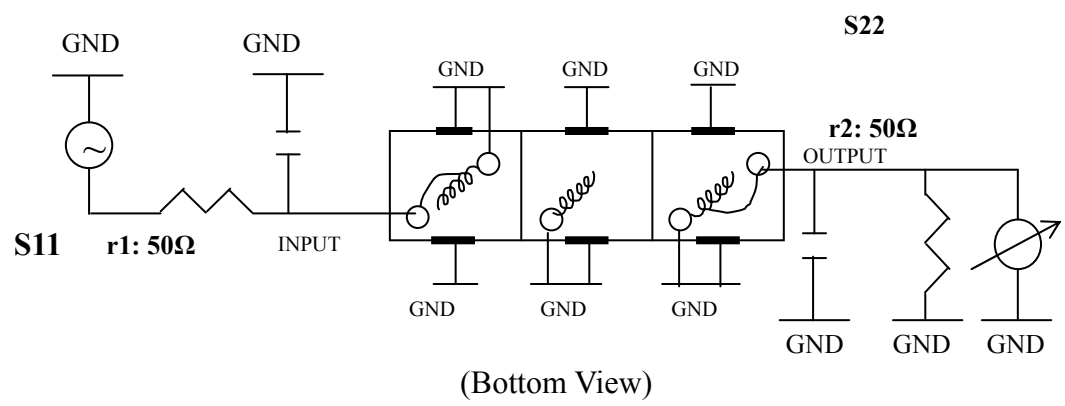
Item		Specify	Performance
Center Freq.(Fo) +/- 0.5 %		580 MHz	580 MHz
Insertion Loss		Typ. 3.5 dB	2.75 dB
-3 dB Bandwidth		Typ. 15 MHz	22.7 MHz
Sensitivity (Attenuation)	Fo - 50 MHz	Typ. 34 dBc	37 dBc
	Fo + 50 MHz	Typ. 37 dBc	40 dBc
	Fo - ( )MHz	Typ. dBc	dBc
	Fo + ( )MHz	Typ. dBc	dBc
Return Loss		Min 12 dB	47.7 dB
Ripple		< 1 dB	dB
Impedance		In / Out : 50 Ω	In / Out : 50 Ω

(4) Torque for Tuning Screw > 60gf · cm

(5) Temperature Condition:	
Operating Temperature	0°C ~ +60°C
Storage Temperature	-20°C ~ +70°C

(6) Input Power > 0.5Watt

(7) Measuring Circuit: ※Easy to match Impedance S11/S22 50Ω by parallel with about(--).

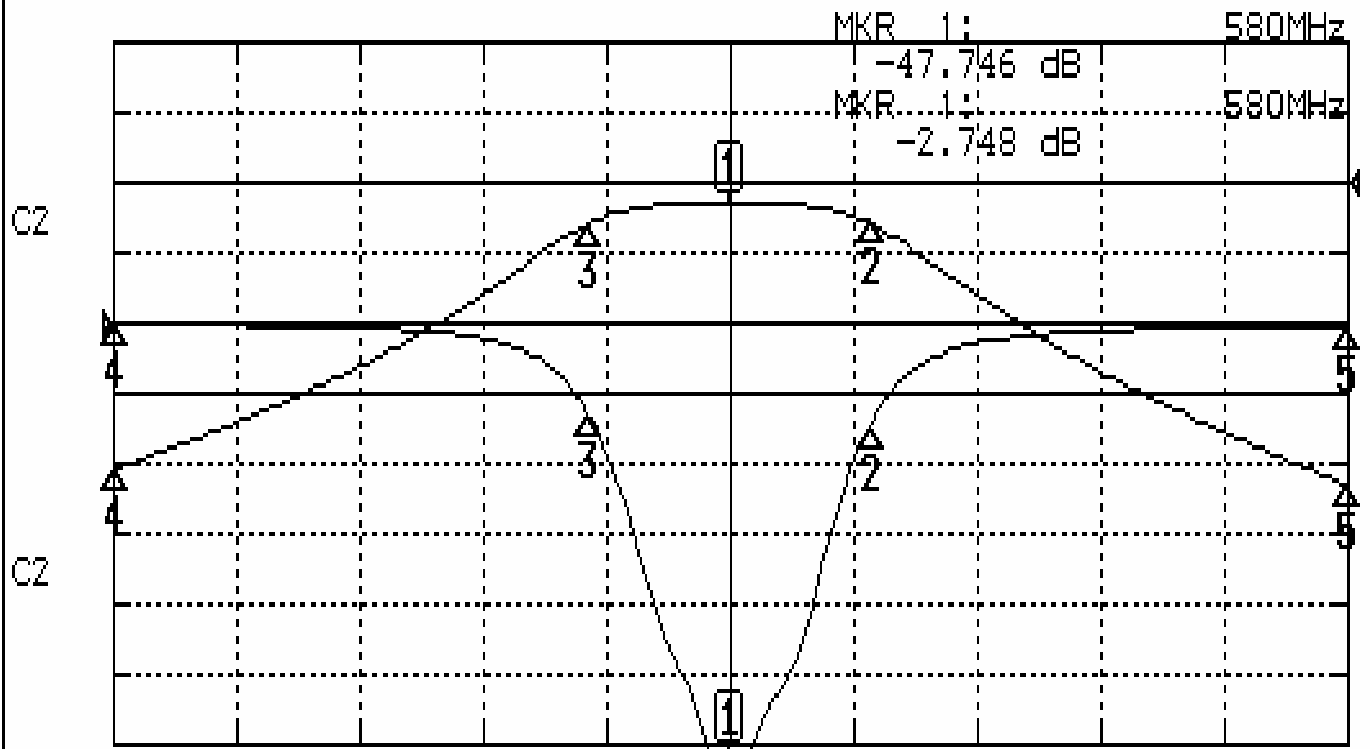


Approval	Supervisor	Designer	Aperture size
C.Y.Chang	C.K.Chang	M.Y.Kang	5W3S(3.8*4.0)(4.09) 5HW024RB3
TEMWELL CORPORATION			

# Performance-TTW3463F-580M

## 201406065CD

CH1 S11 LOG MAG REF 0.000 dB 5.000 dB/  
CH2 S21 LOG MAG REF 0.000 dB 10.000 dB/



CENTER 580MHz

[ 10.00 dBm ]

SPAN 100MHz

### CH1 MARKER LIST

1:	580.000MHz	-47.746	dB
2:	579.133MHz	-7.279	dB
3:	578.583MHz	-6.470	dB
4:	580.000MHz	-0.069	dB
5:	630.000MHz	-0.169	dB

### CH2 MARKER LIST

1:	580.000MHz	-2.750	dB
2:	579.133MHz	-7.745	dB
3:	578.583MHz	-7.749	dB
4:	580.000MHz	-40.675	dB
5:	630.000MHz	-43.034	dB