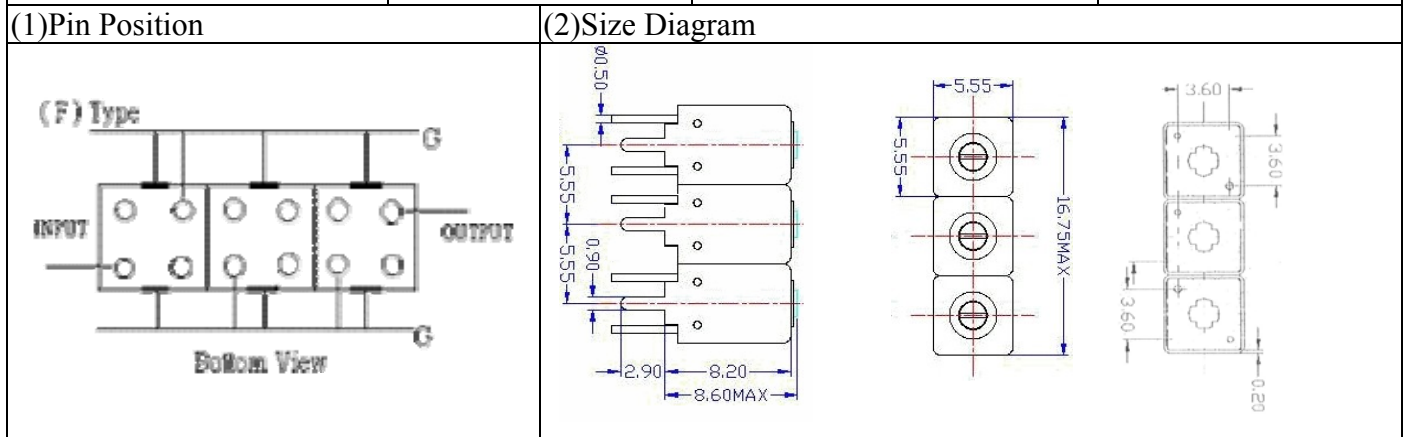


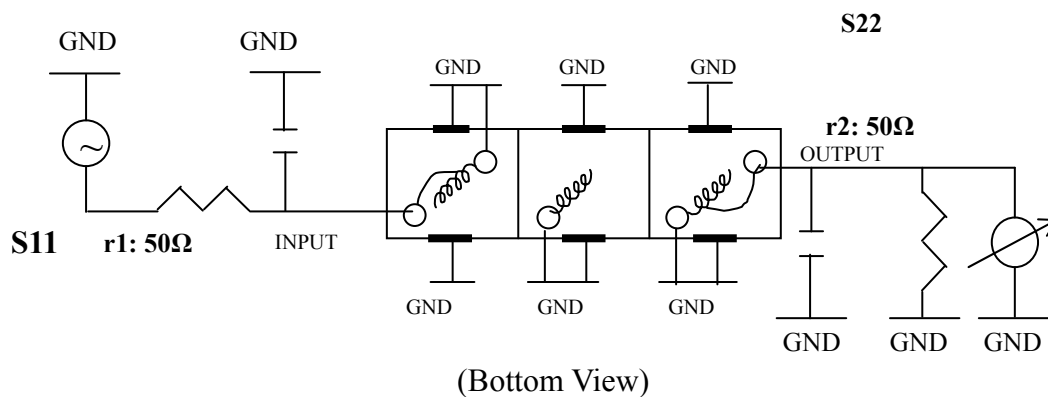
VHF UHF Helical Filter Specification Sheet

Customer Name		Temwell's Part No.	TTW3472F-612M
Approval No. /dated		Temwell's Print Name.	3472F 612M
Work Instruction No.	201406059CD	Date	Jul.04.2014



Item		Specify	Performance
Center Freq.(Fo) +/- 0.5 %		612 MHz	612 MHz
Insertion Loss		Typ. 3.0 dB	2.22 dB
-3 dB Bandwidth		Typ. 30 MHz	33.5 MHz
Sensitivity (Attenuation)	Fo - 50 MHz	Typ. 26 dBc	29 dBc
	Fo + 50 MHz	Typ. 23 dBc	30 dBc
	Fo - ()MHz	Typ. dBc	dBc
	Fo + ()MHz	Typ. dBc	dBc
Return Loss		Min 12 dB	29.5 dB
Ripple		< 1 dB	dB
Impedance		In / Out : 50 Ω	In / Out : 50 Ω
(4) Torque for Tuning Screw		> 60gf · cm	
(5) Temperature Condition:			
Operating Temperature		0°C ~ +60°C	
Storage Temperature		-20°C ~ +70°C	
(6) Input Power		> 0.5Watt	

(7) Measuring Circuit: ※Easy to match Impedance S11/S22 50Ω by parallel with about(--).

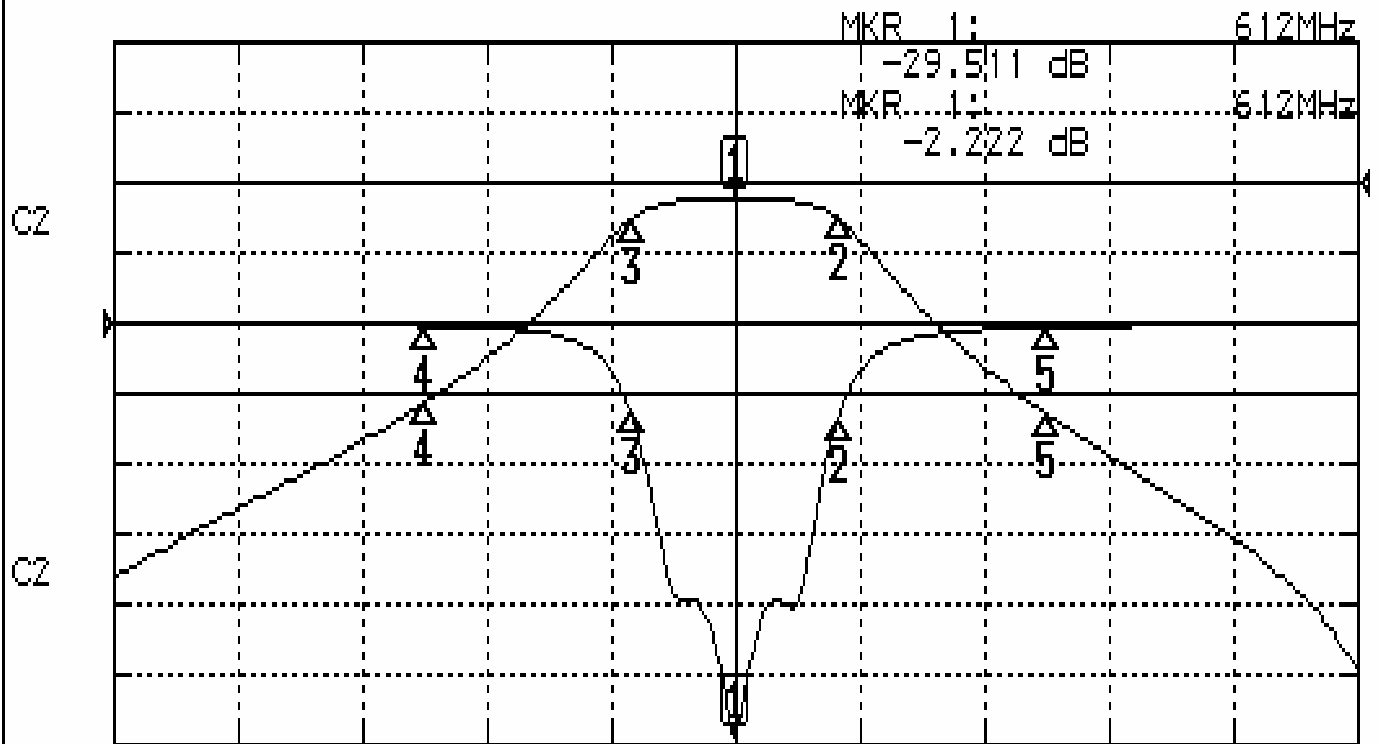


Approval	Supervisor	Designer	Aperture size
C.Y.Chang	C.K.Chang	C.H.Yeh	5W3S(3.8*4.5)(4.52) 5HW024RB3
TEMWELL CORPORATION			

Performance-TTW3472F-612M

201406059CD

CH1 S11 LOG MAG REF 0.000 dB 5.000 dB/
CH2 S21 LOG MAG REF 0.000 dB 10.000 dB/



CENTER 612MHz

[10.00 dBm]

SPAN 200MHz

CH1 MARKER LIST

1:	612.000MHz	-29.511	dB
2:	628.666MHz	-6.604	dB
3:	595.166MHz	-6.268	dB
4:	562.000MHz	-0.151	dB
5:	662.000MHz	-0.257	dB

CH2 MARKER LIST

1:	612.000MHz	-2.222	dB
2:	628.666MHz	-1.155	dB
3:	595.166MHz	-1.155	dB
4:	562.000MHz	-31.233	dB
5:	662.000MHz	-32.957	dB