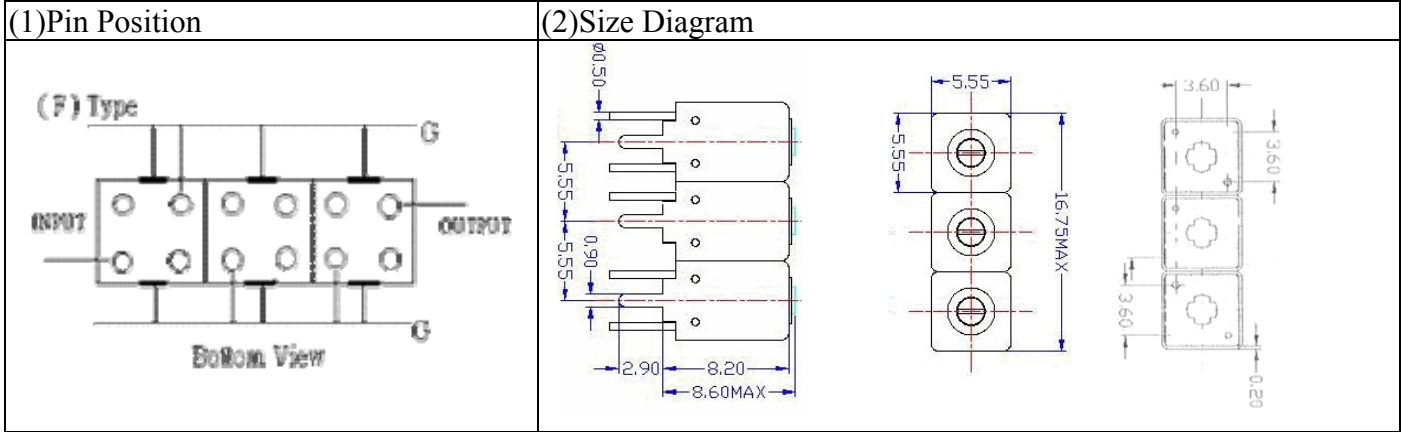


# VHF UHF Helical Filter Specification Sheet

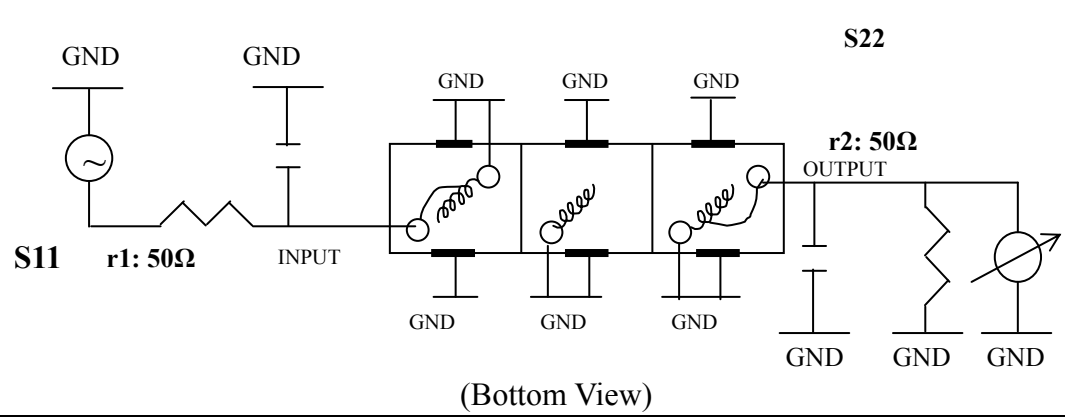
Customer Name		Temwell's Part No.	TTW3476F-612M
Approval No. /dated	201406061CD	Temwell's Print Name.	3476F 612M
Work Instruction No.	201406061CD	Date	Jul.11.2014



(3) Electric Characteristic			
Item		Specify	Performance
Center Freq.(Fo) +/- 0.5 %		612 MHz	612 MHz
Insertion Loss		Typ. 4.0 dB	2.69 dB
-3 dB Bandwidth		Typ. 14 MHz	23.3 MHz
Sensitivity (Attenuation)	Fo - 50 MHz	Typ. 30 dBc	36 dBc
	Fo + 50 MHz	Typ. 31 dBc	37 dBc
	Fo - ( )MHz	Typ. dBc	dBc
	Fo + ( )MHz	Typ. dBc	dBc
Return Loss		Min 12 dB	27.1 dB
Ripple		< 1 dB	dB
Impedance		In / Out : 50 Ω	In / Out : 50 Ω
(4) Torque for Tuning Screw		> 60gf · cm	

(5) Temperature Condition:	
Operating Temperature	0°C ~ +60°C
Storage Temperature	-20°C ~ +70°C
(6) Input Power	> 0.5Watt

(7) Measuring Circuit: ※Easy to match Impedance S11/S22 50Ω by parallel with about(--).

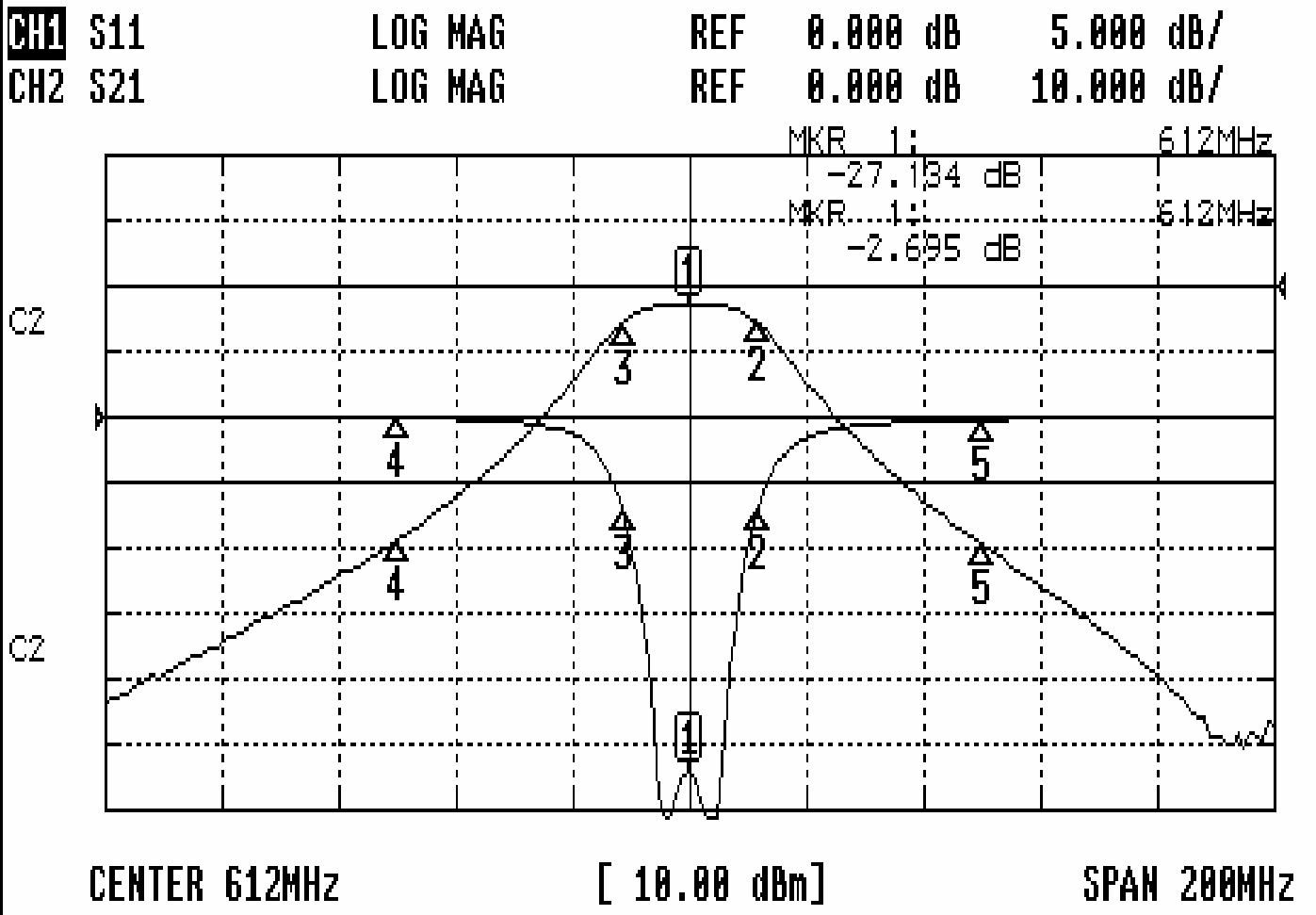


Approval	Supervisor	Designer	Aperture size
C.Y.Chang	C.K.Chang	Y.L.Pan	5W3S(3.8*4.0)(4.08) 5HW024RB3

TEMWELL CORPORATION

# Performance-TTW3476F-612M

## 201406061CD



### CH1 MARKER LIST

1:	612.000MHz	-27.157	dB	
2:	623.833MHz	-6.960	dB	
3:	600.500MHz	-7.048	dB	
4:	562.000MHz	-0.054	dB	
5:	662.000MHz	-0.185	dB	

### CH2 MARKER LIST

1:	612.000MHz	-2.695	dB	
2:	623.833MHz	-6.650	dB	
3:	600.500MHz	-6.884	dB	
4:	562.000MHz	-38.722	dB	
5:	662.000MHz	-39.540	dB	