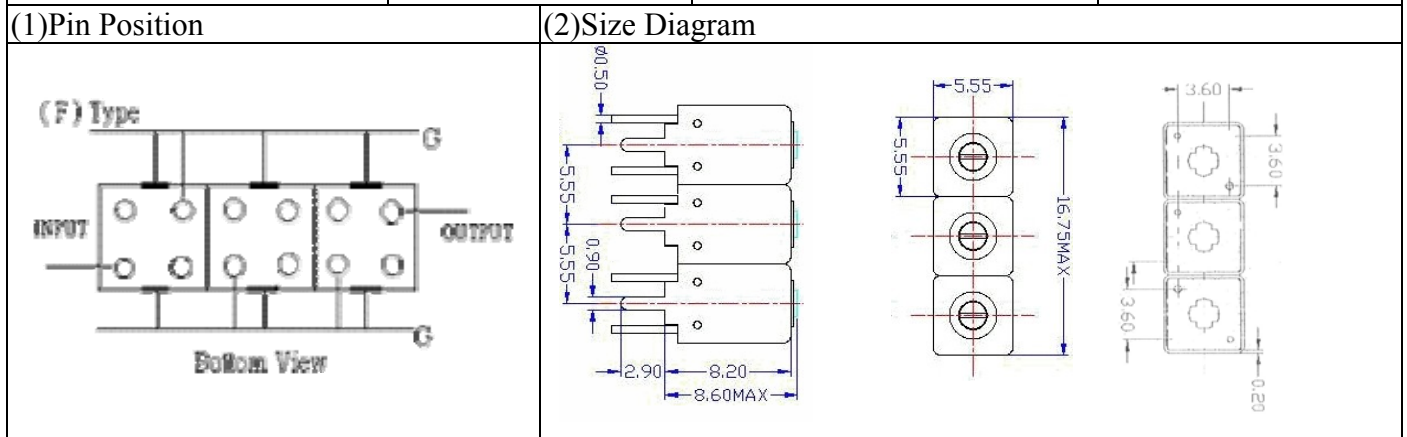


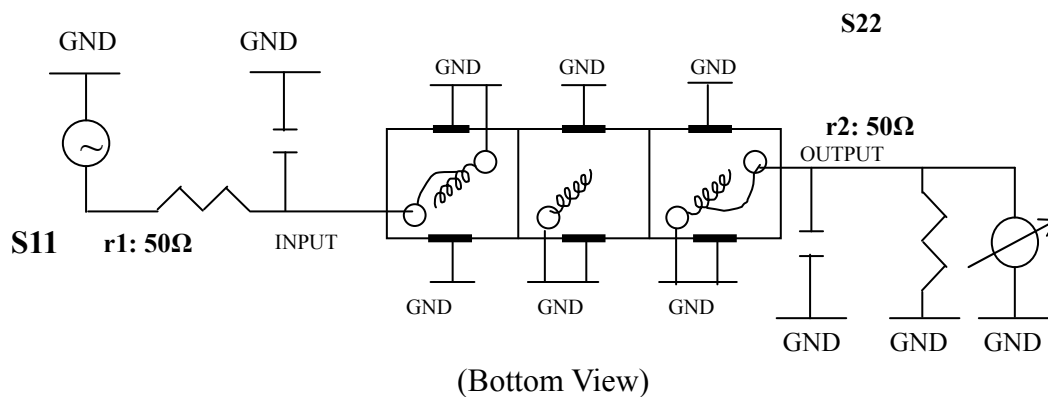
VHF UHF Helical Filter Specification Sheet

Customer Name		Temwell's Part No.	TTW3483F-680M
Approval No. /dated	201406057CD	Temwell's Print Name.	3483F 680M
Work Instruction No.	201406057CD	Date	Jul.07.2014



Item		Specify	Performance
Center Freq.(Fo) +/- 0.5 %		680 MHz	680 MHz
Insertion Loss		Typ. 2.5 dB	2.06 dB
-3 dB Bandwidth		Typ. 30 MHz	34.6 MHz
Sensitivity (Attenuation)	Fo - 100 MHz	Typ. 44 dBc	47 dBc
	Fo + 100 MHz	Typ. 49 dBc	52 dBc
	Fo - ()MHz	Typ. dBc	dBc
	Fo +()MHz	Typ. dBc	dBc
Return Loss		Min 12 dB	24.2 dB
Ripple		< 1 dB	dB
Impedance		In / Out : 50 Ω	In / Out : 50 Ω
(4) Torque for Tuning Screw		> 60gf · cm	
(5) Temperature Condition:			
Operating Temperature		0°C ~ +60°C	
Storage Temperature		-20°C ~ +70°C	
(6) Input Power		> 0.5Watt	

(7) Measuring Circuit: ※Easy to match Impedance S11/S22 50Ω by parallel with about(--).

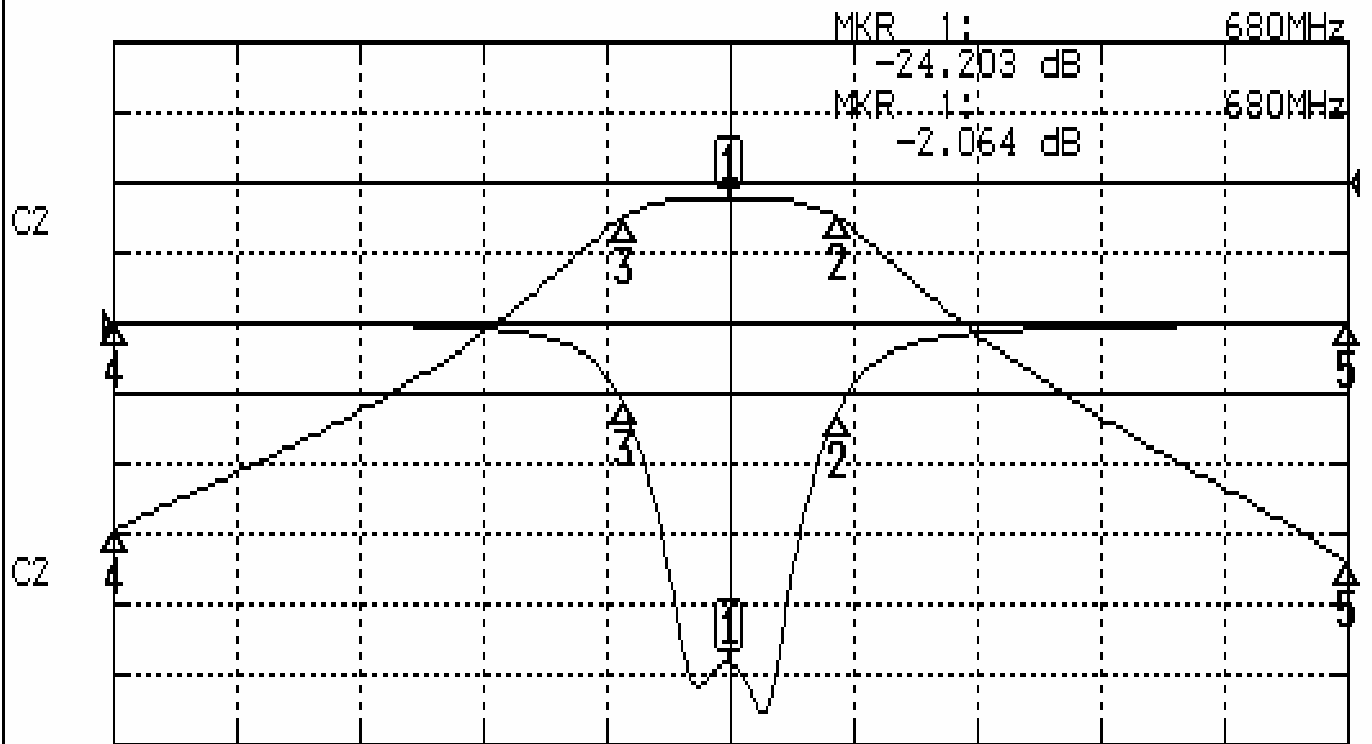


Approval	Supervisor	Designer	Aperture size
C.Y.Chang	C.K.Chang	C.H.Yeh	5W3S(3.8*4.5)(4.52) 5HW024RB3
TEMWELL CORPORATION			

Performance-TTW3483F-680M

201406057CD

CH1 S11 LOG MAG REF 0.000 dB 5.000 dB/
CH2 S21 LOG MAG REF 0.000 dB 10.000 dB/



CENTER 680MHz

[10.00 dBm]

SPAN 200MHz

CH1 MARKER LIST

Marker	Frequency (MHz)	Magnitude (dB)
1	680.000	-24.203
2	697.333	-16.427
3	662.666	-15.712
4	580.000	-0.007
5	780.000	-0.032

CH2 MARKER LIST

Marker	Frequency (MHz)	Magnitude (dB)
1	680.000	-2.065
2	697.333	-1.079
3	662.666	-1.011
4	580.000	-14.340
5	780.000	-14.005