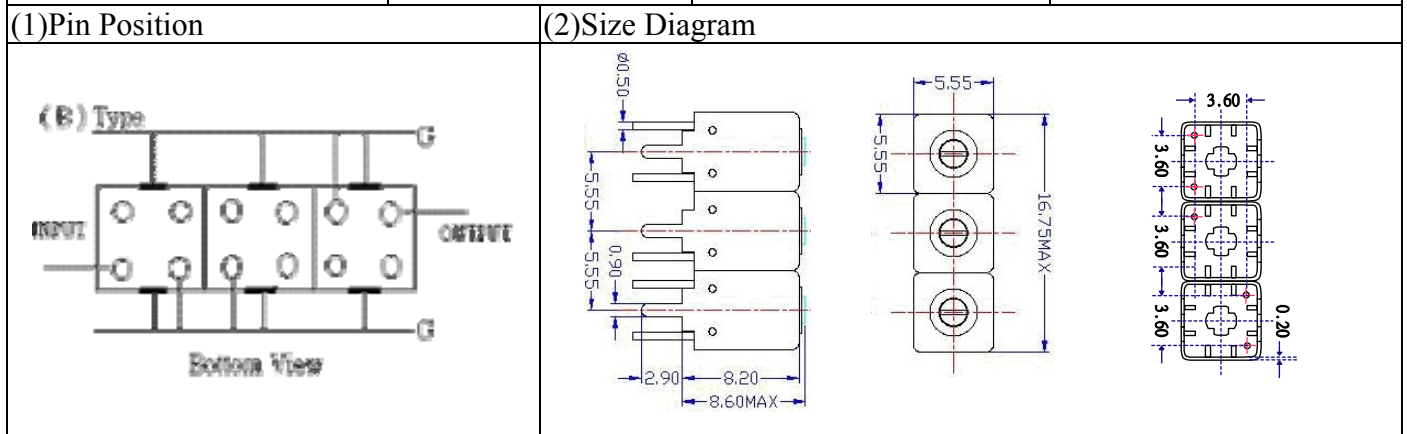


VHF UHF Helical Filter Specification Sheet

Customer Name		Temwell's Part No.	TTW3491B-730M
Approval No. /dated		Temwell's Print Name.	3491B 730M
Work Instruction No.	201406055CD	Date	Jul.01.2014



(3) Electric Character			
Item		Specify	Performance
Center Freq.(Fo) +/- 0.5 %		730 MHz	730 MHz
Insertion Loss		Typ. 4.0 dB	3.57 dB
-3 dB Bandwidth		Typ. 16 MHz	20.6 MHz
Sensitivity (Attenuation)	Fo - 50 MHz	Typ. 39 dBc	41 dBc
	Fo + 50 MHz	Typ. 30 dBc	33 dBc
	Fo - ()MHz	Typ. dBc	dBc
	Fo +()MHz	Typ. dBc	dBc
Return Loss		Min. 12 dB	23.4 dB
Ripple		< 1 dB	dB
Impedance		In / Out : 50 Ω	In / Out : 50 Ω

(4) Torque for Tuning Screw > 60gf · cm

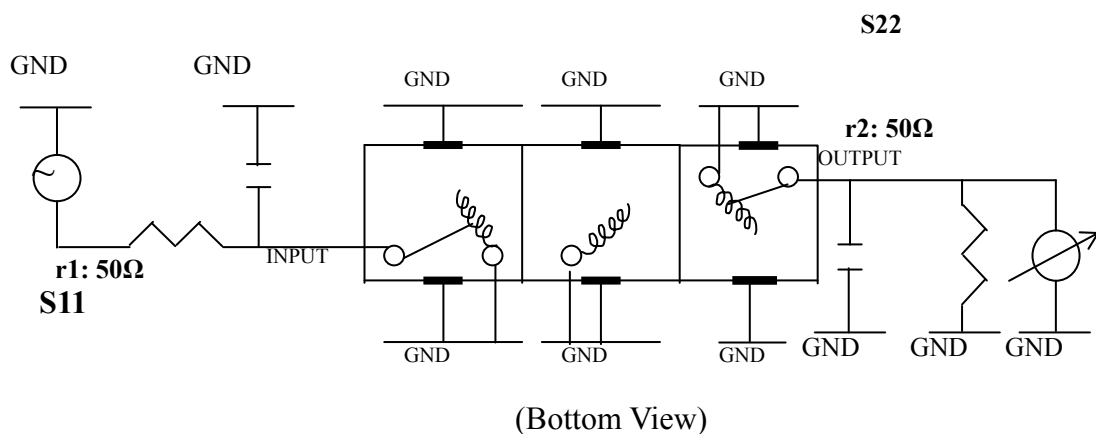
(5) Temperature Condition:

Operating Temperature 0°C ~ +60°C

Storage Temperature -20°C ~ +70°C

(6) Input Power > 0.5Watt

(7) Measuring Circuit: ※Easy to match Impedance S11/S22 50Ω by parallel with about(--)



Approval	Supervisor	Designer	Aperture size
C.Y.Chang	C.K.Chang	W.W.Wang	5W3S(3.8*3.5)(3.57) 5HW02RB3

TEMWELL CORPORATION

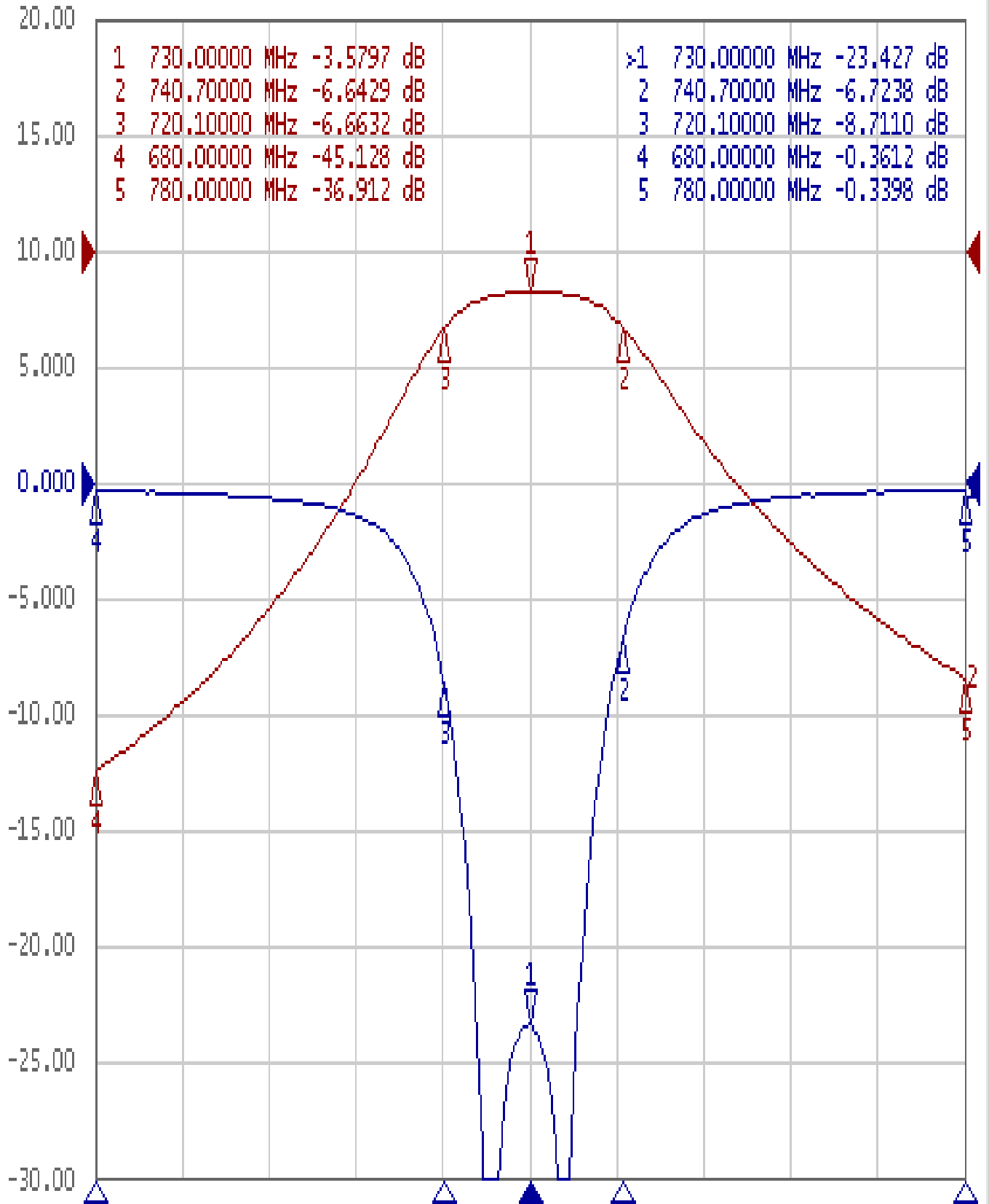
TEMWELL Form10-5W3B Vision D RP(W.W)

Performance-TTW3491B-730M

201406055CD

▶ Tr1 S11 Log Mag 5.000dB/ Ref 0.000dB [F2]

Tr2 S21 Log Mag 10.00dB/ Ref 0.000dB [F2]



1 Center 730 MHz

IFBW 70 kHz

Span 100 MHz

Cor