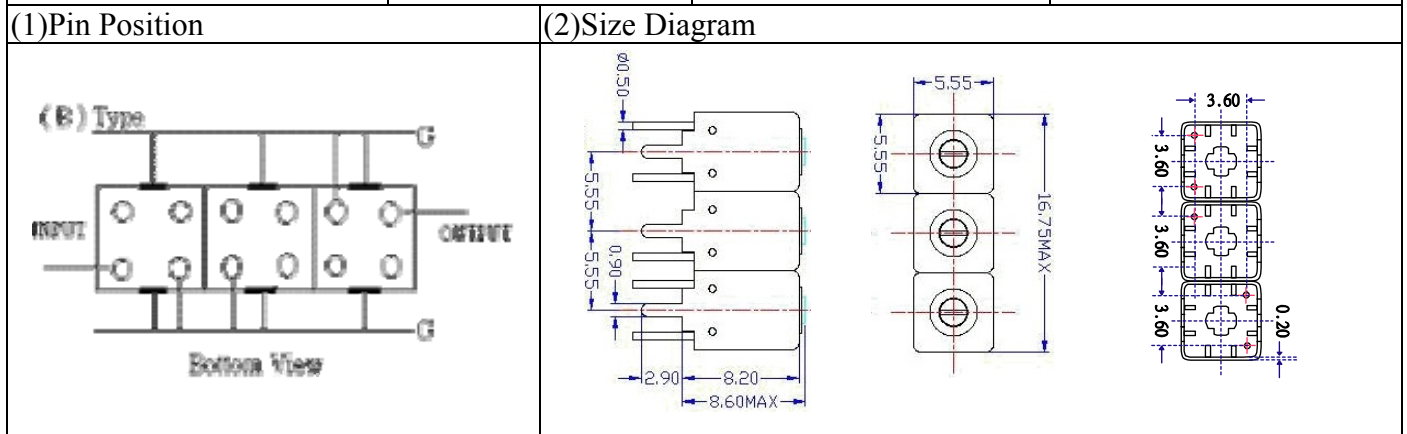


VHF UHF Helical Filter Specification Sheet

Customer Name		Temwell's Part No.	TTW3492B-730M
Approval No. /dated	201406054CD	Temwell's Print Name.	3492B 730M
Work Instruction No.	201406054CD	Date	Jul.01.2014



(3) Electric Character			
Item		Specify	Performance
Center Freq.(Fo) +/- 0.5 %		730 MHz	730 MHz
Insertion Loss		Typ. 3.5 dB	2.65 dB
-3 dB Bandwidth		Typ. 20 MHz	26.6 MHz
Sensitivity (Attenuation)	Fo - 50 MHz	Typ. 34 dBc	36 dBc
	Fo + 50 MHz	Typ. 24 dBc	27 dBc
	Fo - ()MHz	Typ. dBc	dBc
	Fo +()MHz	Typ. dBc	dBc
Return Loss		Min. 12 dB	25.2 dB
Ripple		< 1 dB	dB
Impedance		In / Out : 50 Ω	In / Out : 50 Ω

(4) Torque for Tuning Screw > 60gf · cm

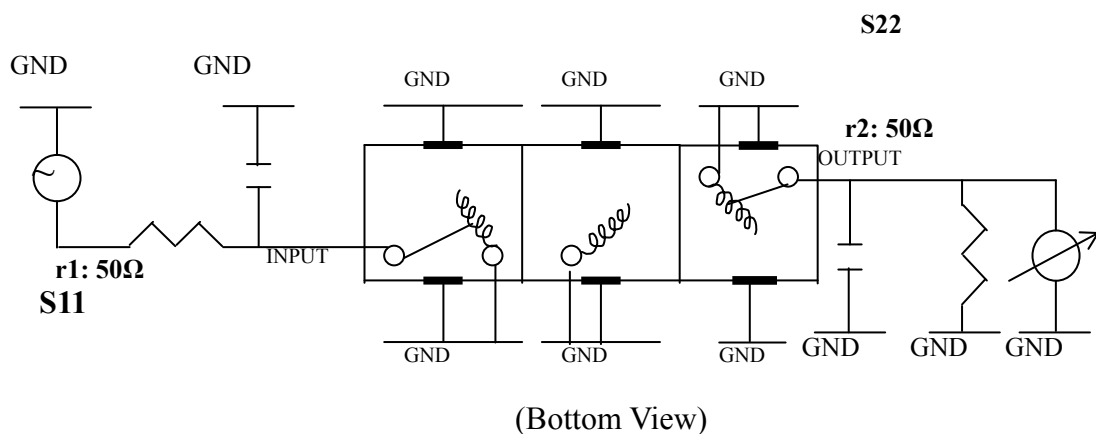
(5) Temperature Condition:

Operating Temperature 0°C ~ +60°C

Storage Temperature -20°C ~ +70°C

(6) Input Power > 0.5Watt

(7) Measuring Circuit: ※Easy to match Impedance S11/S22 50Ω by parallel with about()



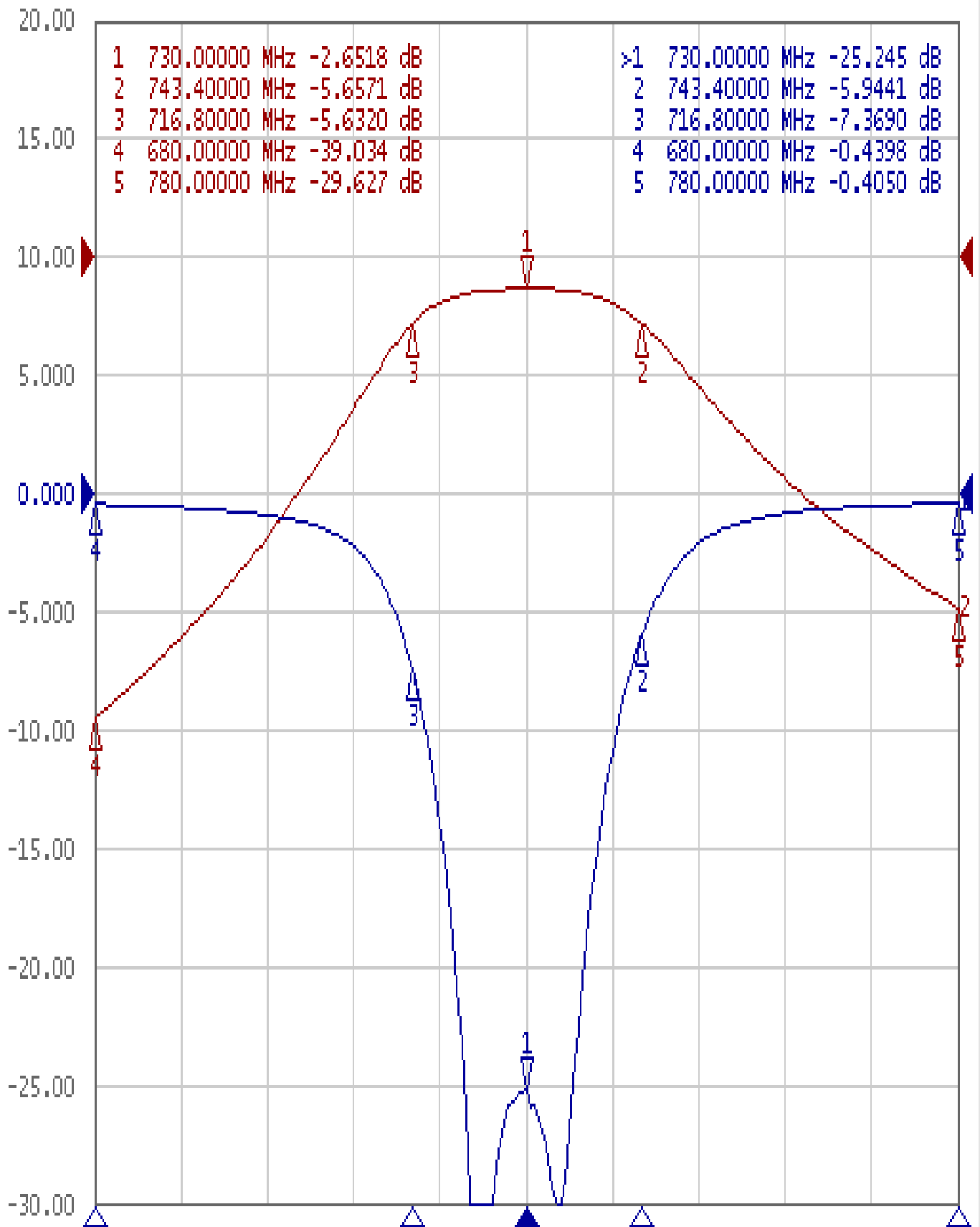
Approval	Supervisor	Designer	Aperture size
C.Y.Chang	C.K.Chang	W.W.Wang	5W3S(3.8*4.0)(4.02) 5HW02RB3

TEMWELL CORPORATION

Performance-TTW3492B-730M

201406054CD

Tr1 S11 Log Mag 5.000dB/ Ref 0.000dB [F2]
Tr2 S21 Log Mag 10.000dB/ Ref 0.000dB [F2]



1 Center 730 MHz

IFBW 70 kHz

Span 100 MHz Cor !