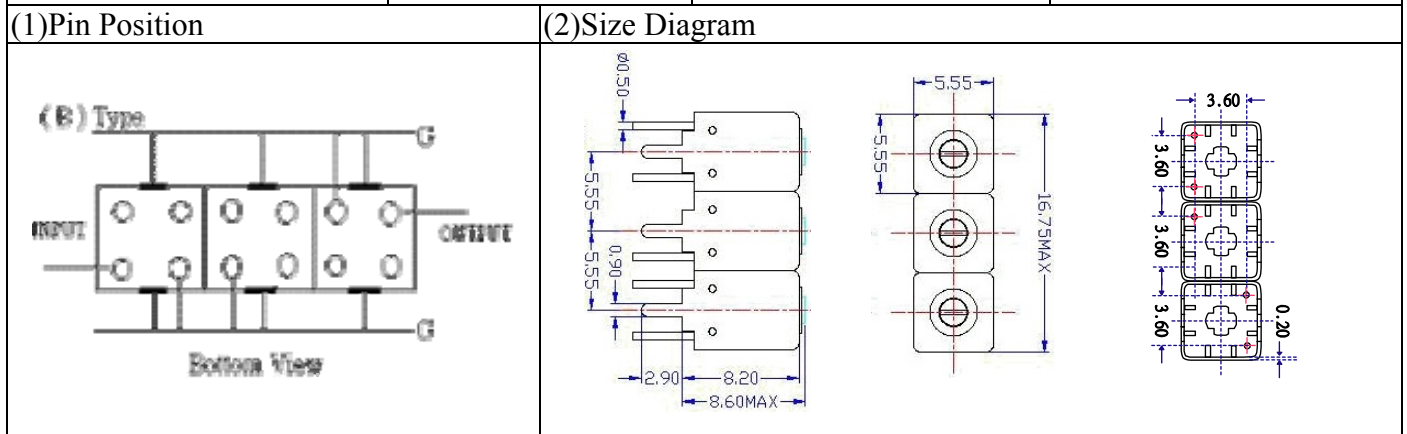


VHF UHF Helical Filter Specification Sheet

Customer Name		Temwell's Part No.	TTW3493B-730M
Approval No. /dated		Temwell's Print Name.	3493B 730M
Work Instruction No.	201406053CD	Date	Jul.03.2014



(3) Electric Character			
Item		Specify	Performance
Center Freq.(Fo) +/- 0.5 %		730 MHz	730 MHz
Insertion Loss		Typ. 3.0 dB	2.19 dB
-3 dB Bandwidth		Typ. 33 MHz	36.8 MHz
Sensitivity (Attenuation)	Fo - 100 MHz	Typ. 46 dBc	50 dBc
	Fo + 100 MHz	Typ. 33 dBc	37 dBc
	Fo - ()MHz	Typ. dBc	dBc
	Fo +()MHz	Typ. dBc	dBc
Return Loss		Min. 12 dB	20.9 dB
Ripple		< 1 dB	dB
Impedance		In / Out : 50 Ω	In / Out : 50 Ω

(4) Torque for Tuning Screw > 60gf · cm

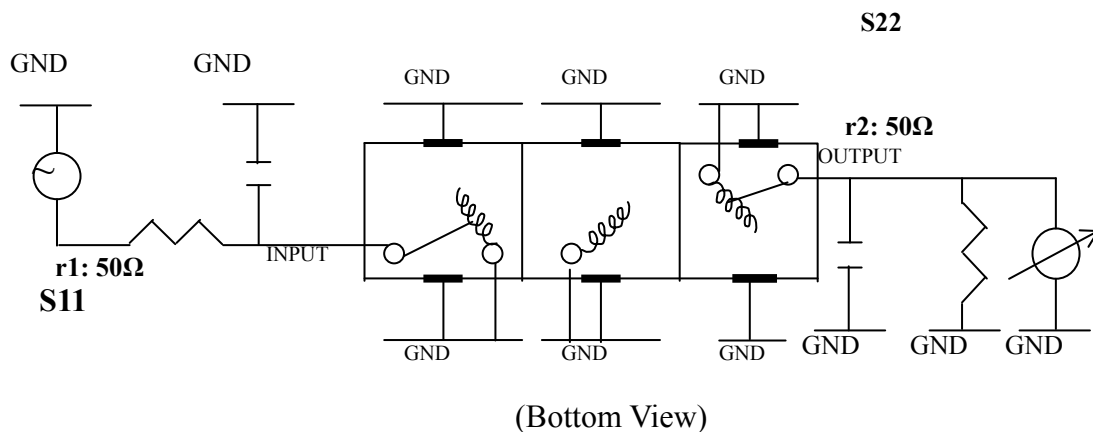
(5) Temperature Condition:

Operating Temperature 0°C ~ +60°C

Storage Temperature -20°C ~ +70°C

(6) Input Power > 0.5Watt

(7) Measuring Circuit: ※Easy to match Impedance S11/S22 50Ω by parallel with about()



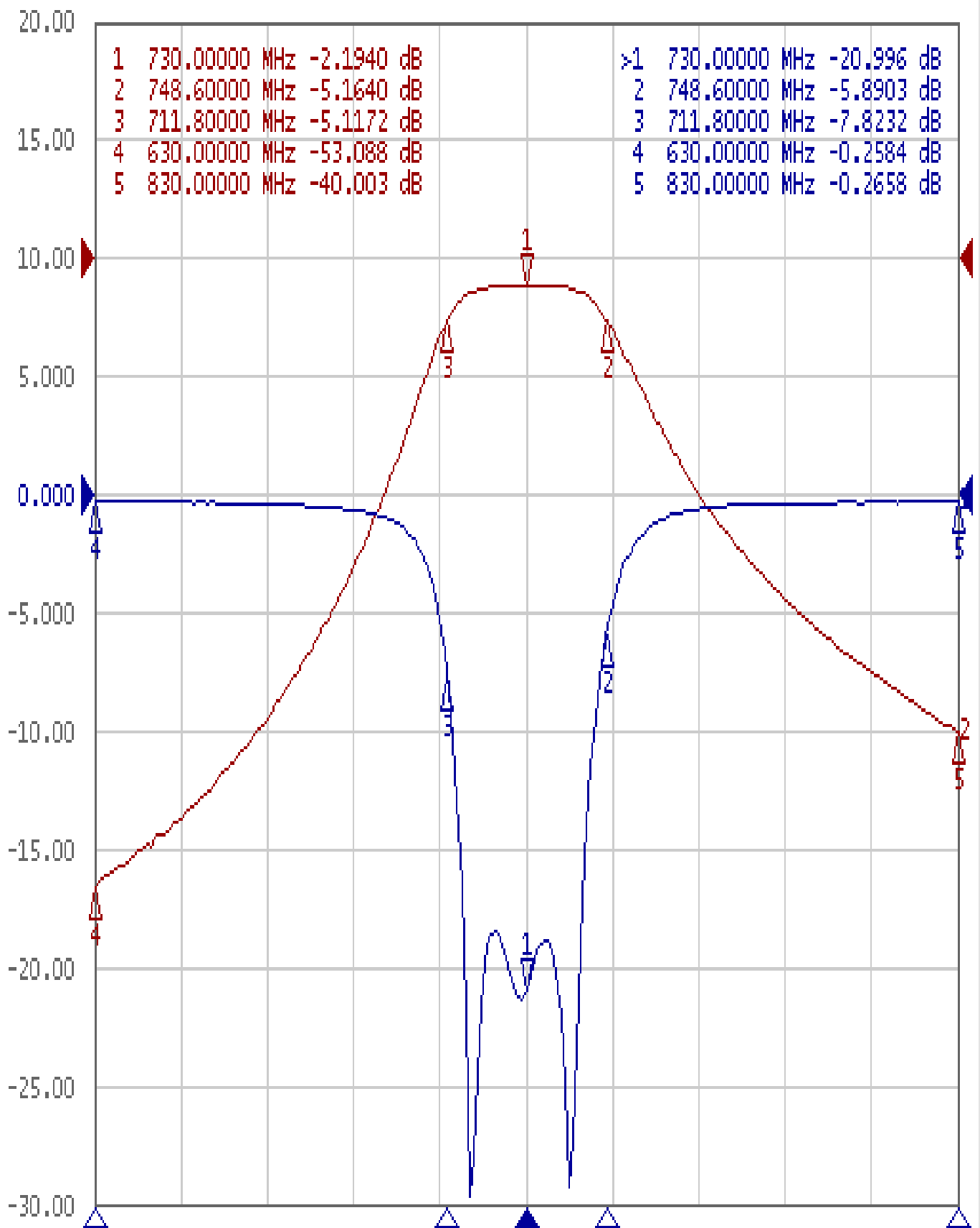
Approval C.Y.Chang	Supervisor C.K.Chang	Designer W.W.Wang	Aperture size 5W3S(3.8*4.5)(4.52) 5HW02RB3
-----------------------	-------------------------	----------------------	--

TEMWELL CORPORATION

Performance-TTW3493B-730M

201406053CD

Tr1 S11 Log Mag 5.000dB/ Ref 0.000dB [F2]
Tr2 S21 Log Mag 10.000dB/ Ref 0.000dB [F2]



1 Center 730 MHz

IFBW 70 kHz

Span 200 MHz Cor !