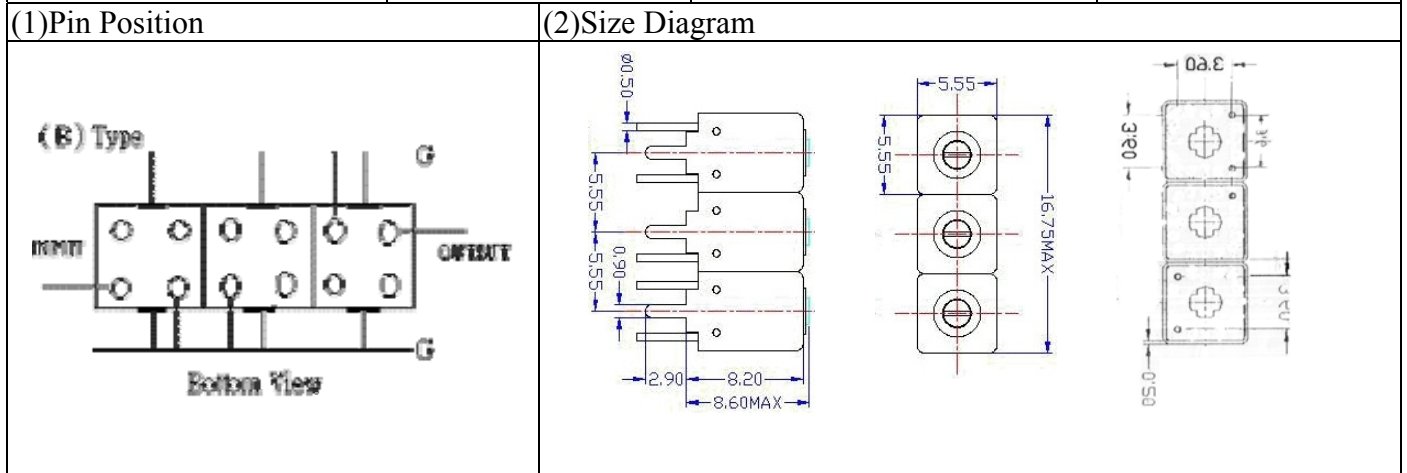
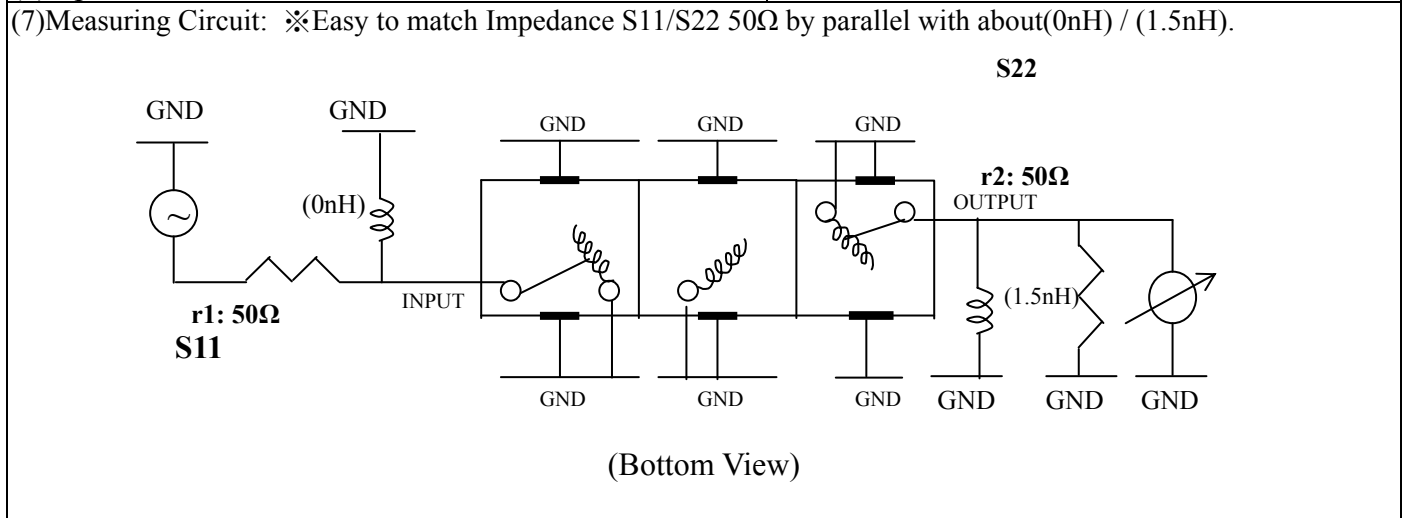


VHF UHF Helical Filter Specification Sheet

Customer Name		Temwell's Part No.	TTW3501B-775M
Approval No. /dated	0904036CD	Temwell's Print Name.	3501B 775M
Work Instruction No.	200904036CD	Date	Jul.31.2009



(3) Electric Character			
Item	Specify		Performance
Center Freq.(Fo) +/- 0.5 %	775	MHz	775 MHz
Insertion Loss	Typ. 5.0	dB	3.76 dB
-3 dB Bandwidth	Typ. 10	MHz	17.9 MHz
Sensitivity (Attenuation)	Fo - 50 MHz	Typ. 38 dBc	41 dBc
	Fo + 50 MHz	Typ. 27 dBc	30 dBc
	Fo - ()MHz	Typ. dBc	dBc
	Fo +()MHz	Typ. dBc	dBc
Return Loss	Min. 12	dB	28.1 dB
Ripple	< 1	dB	dB
Impedance	In / Out : 50 Ω		In / Out : 50 Ω
(4) Torque for Tuning Screw			
> 60gf · cm			
(5) Temperature Condition:			
Operating Temperature	0°C ~ +60°C		
Storage Temperature	-20°C ~ +70°C		
(6) Input Power			
> 0.5Watt			



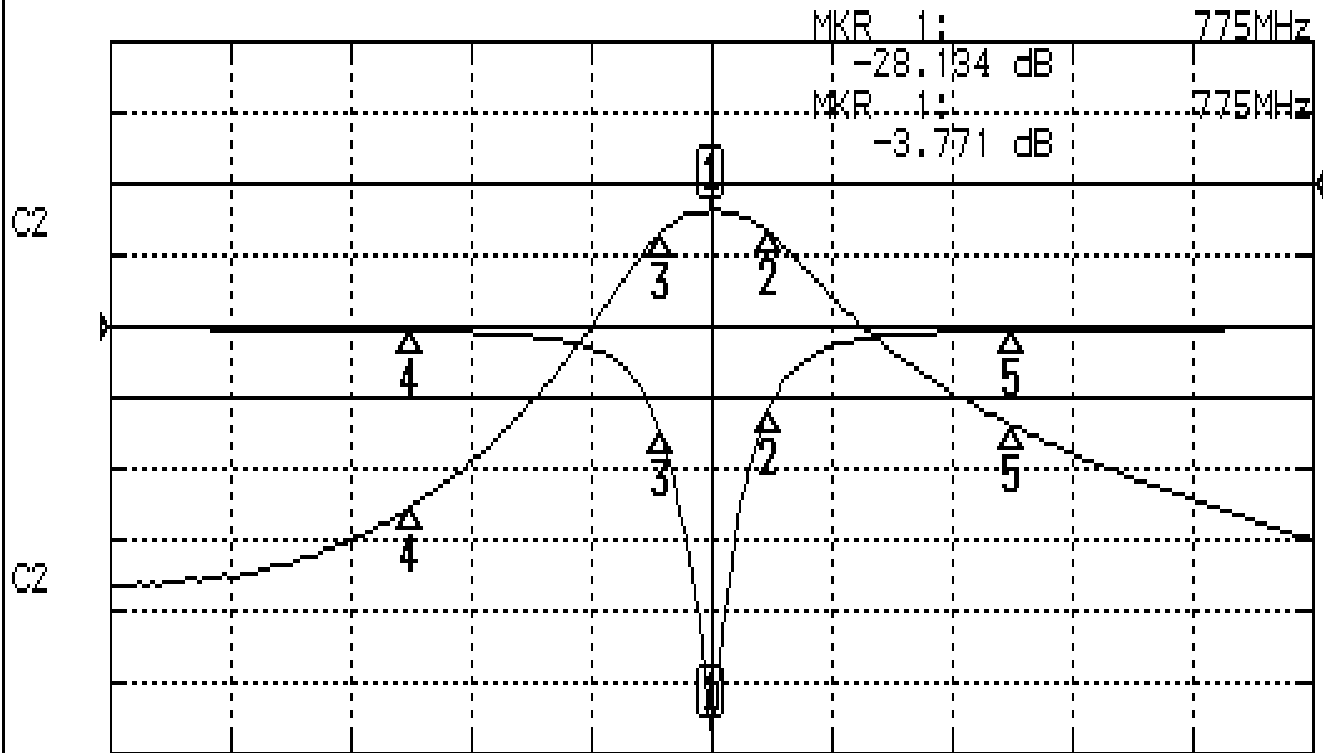
Approval	Supervisor	Designer	Aperture size
C.Y.Chang	C.K.Chang	Y.H.Yeh	5W3S(3.8*3.5)(3.57) 5HW024RB3

TEMWELL CORPORATION

Performance-TTW3501B-775M

200904036CD

CH1 S11 LOG MAG REF 0.000 dB 5.000 dB/
CH2 S21 LOG MAG REF 0.000 dB 10.000 dB/



CENTER 775MHz

[10.00 dBm]

SPAN 200MHz

CH1 MARKER LIST

1:	775.000MHz	-28.134 dB
2:	784.640MHz	-5.803 dB
3:	766.700MHz	-7.520 dB
4:	725.000MHz	-0.298 dB
5:	825.000MHz	-0.271 dB

CH2 MARKER LIST

1:	775.000MHz	-3.769 dB
2:	784.640MHz	-6.797 dB
3:	766.700MHz	-6.777 dB
4:	725.000MHz	-45.348 dB
5:	825.000MHz	-33.924 dB