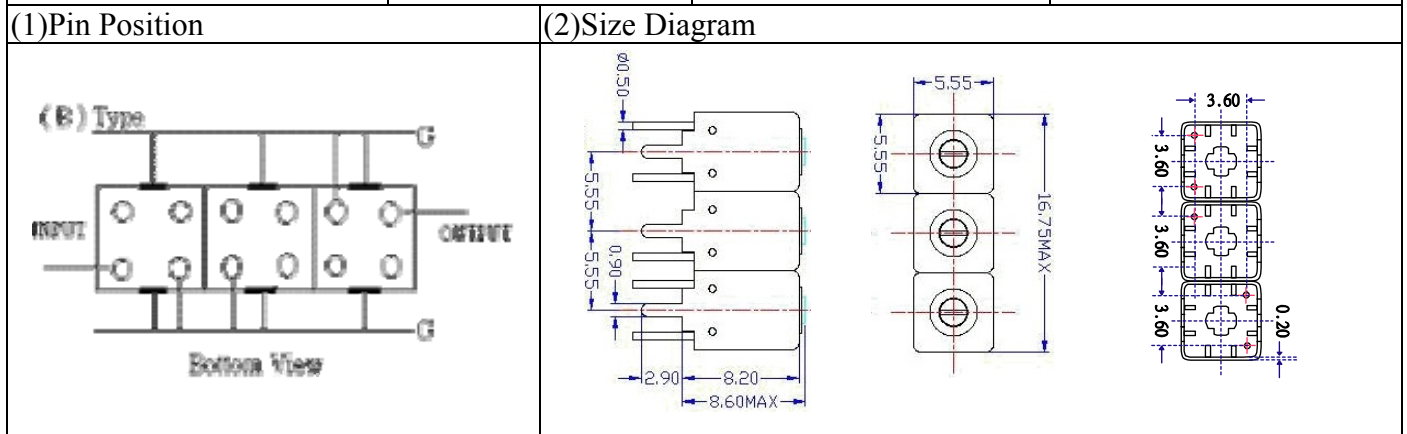


VHF UHF Helical Filter Specification Sheet

Customer Name		Temwell's Part No.	TTW3503B-800M
Approval No. /dated		Temwell's Print Name.	3503B 800M
Work Instruction No.	201406052CD	Date	Jul.04.2014



(3) Electric Character			
Item		Specify	Performance
Center Freq.(Fo) +/- 0.5 %		800 MHz	800 MHz
Insertion Loss		Typ. 3.0 dB	2.47 dB
-3 dB Bandwidth		Typ. 26 MHz	33.0 MHz
Sensitivity (Attenuation)	Fo - 50 MHz	Typ. 28 dBc	30 dBc
	Fo + 50 MHz	Typ. 18 dBc	21 dBc
	Fo - ()MHz	Typ. dBc	dBc
	Fo +()MHz	Typ. dBc	dBc
Return Loss		Min. 12 dB	23.2 dB
Ripple		< 1 dB	dB
Impedance		In / Out : 50 Ω	In / Out : 50 Ω

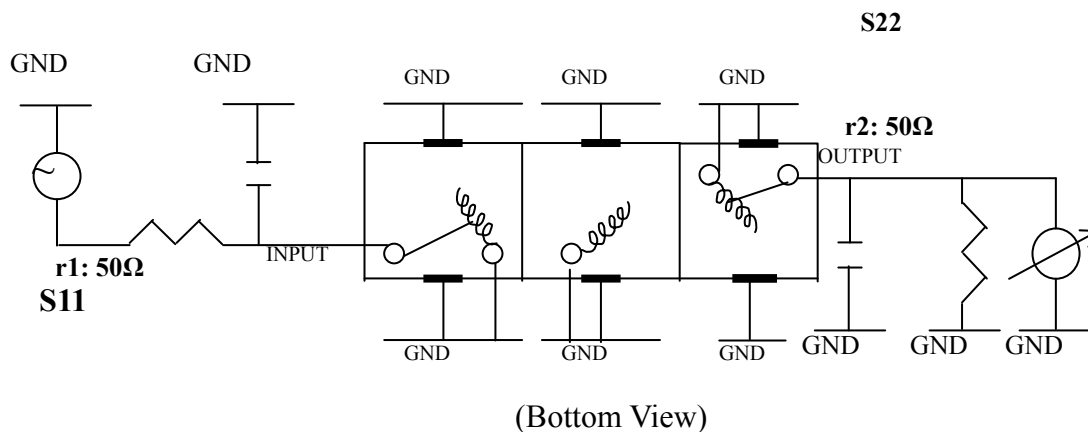
(4) Torque for Tuning Screw > 60gf · cm

(5) Temperature Condition:

Operating Temperature	0°C ~ +60°C
Storage Temperature	-20°C ~ +70°C

(6) Input Power > 0.5Watt

(7) Measuring Circuit: ※Easy to match Impedance S11/S22 50Ω by parallel with about()



Approval	Supervisor	Designer	Aperture size
C.Y.Chang	C.K.Chang	W.W.Wang	5W3S(3.8*4.5)(4.52) 5HW02RB3

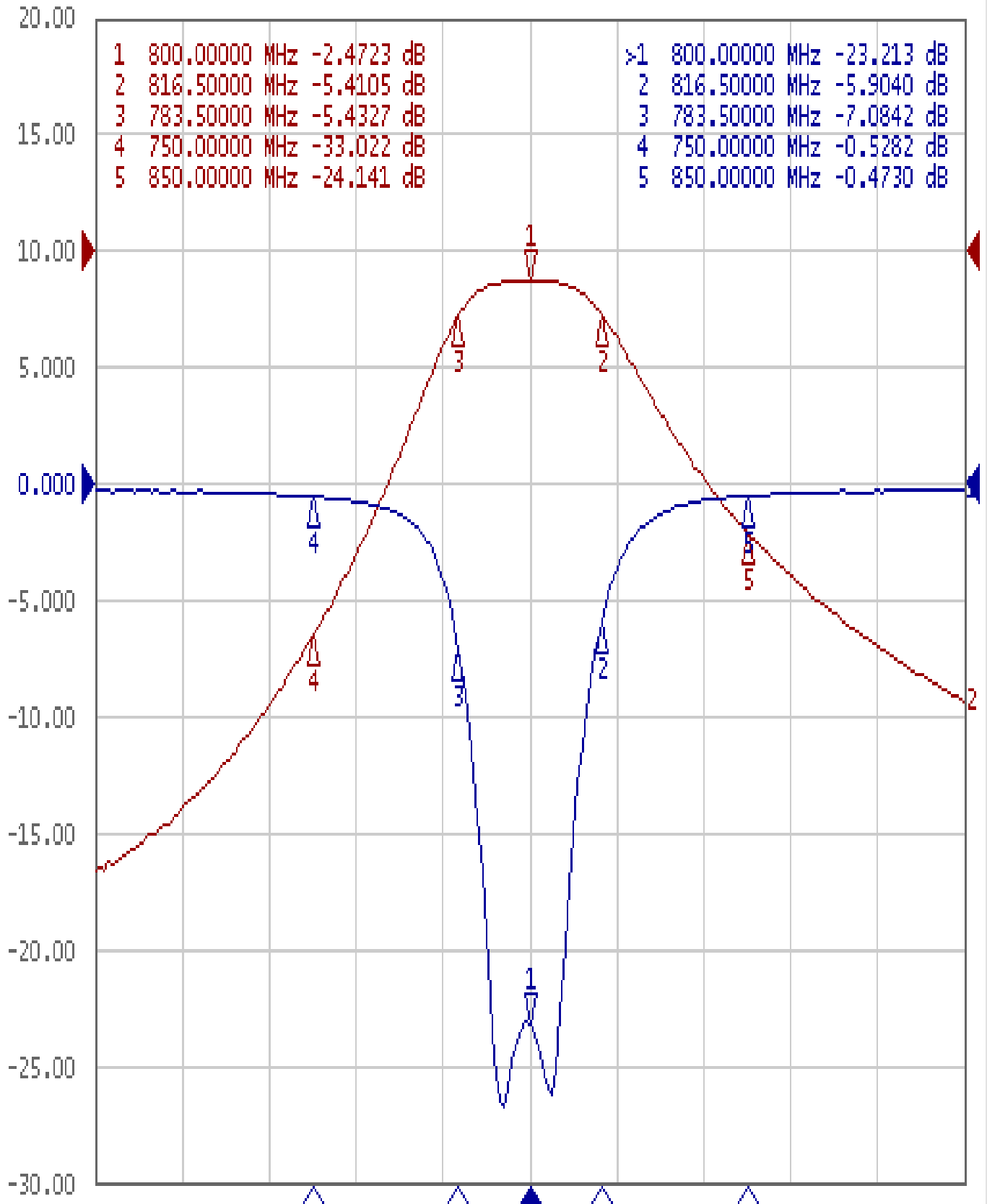
TEMWELL CORPORATION

Performance-TTW3503B-800M

201406052CD

▶ Tr1 S11 Log Mag 5.000dB/ Ref 0.000dB [F2]

Tr2 S21 Log Mag 10.00dB/ Ref 0.000dB [F2]



1 Center 800 MHz

IFBW 70 kHz

Span 200 MHz Cor !