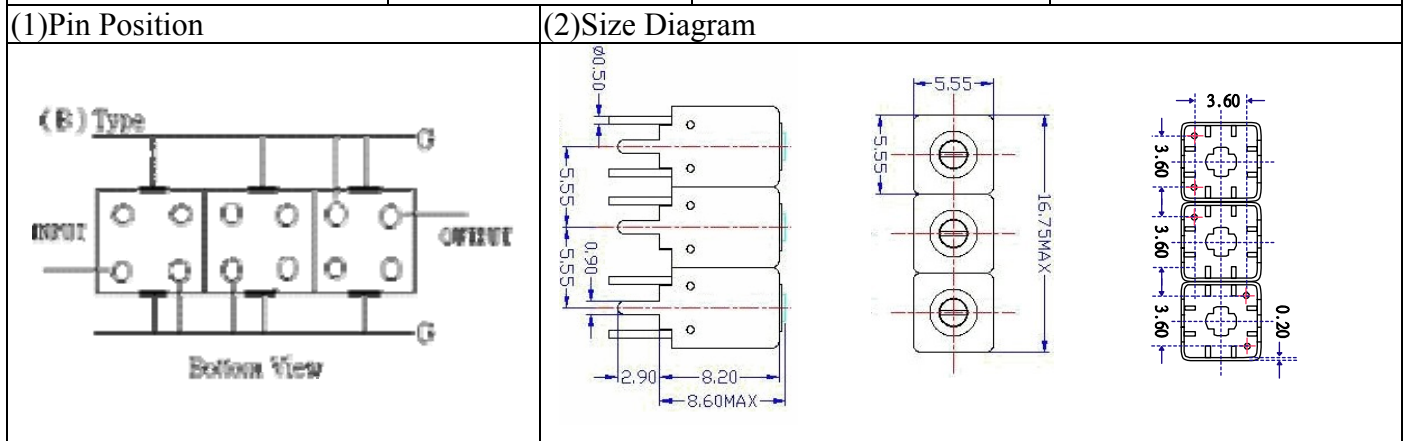


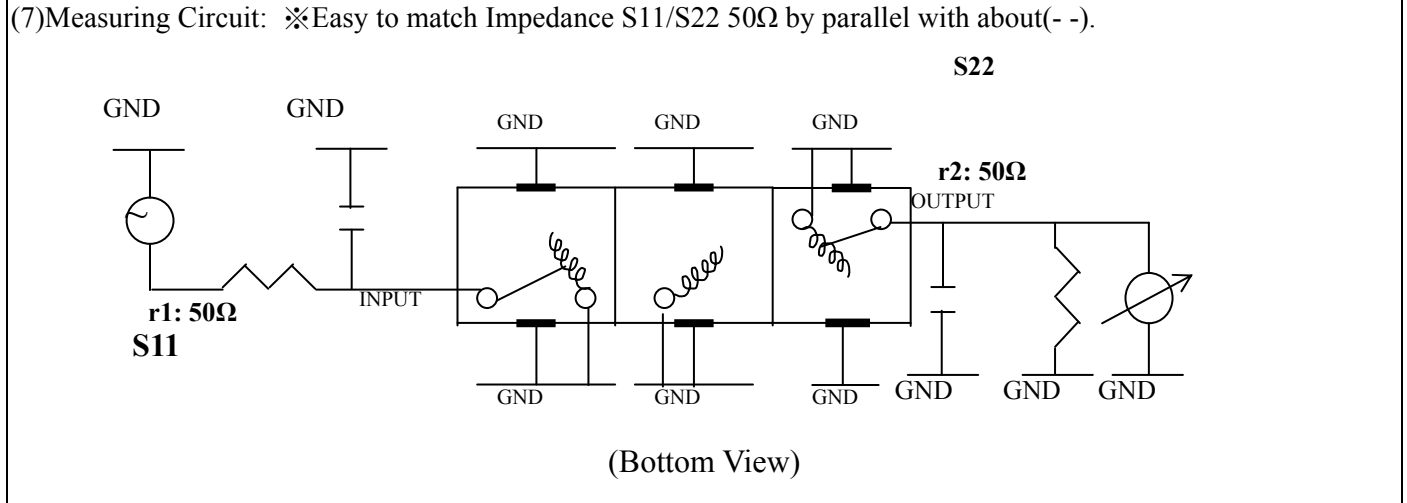
# VHF UHF Helical Filter Specification Sheet

Customer Name		Temwell's Part No.	TTW3504B-775M
Approval No. /dated	201406051CD	Temwell's Print Name.	3504B 775M
Work Instruction No.	201406051CD	Date	Jul.30.2014



(3) Electric Character			
Item		Specify	Performance
Center Freq.(Fo) +/- 0.5 %		775 MHz	775 MHz
Insertion Loss		Typ. 3.0 dB	2.34 dB
-3 dB Bandwidth		Typ. 33 MHz	38.1 MHz
Sensitivity (Attenuation)	Fo -100 MHz	Typ. 45 dBc	52 dBc
	Fo +100 MHz	Typ. 32 dBc	36 dBc
	Fo - ( )MHz	Typ. dBc	dBc
	Fo +( )MHz	Typ. dBc	dBc
Return Loss		Min. 12 dB	17.5 dB
Ripple		< 1 dB	dB
Impedance		In / Out : 50 Ω	In / Out : 50 Ω
(4) Torque for Tuning Screw		> 60gf · cm	

(5) Temperature Condition:	
Operating Temperature	0°C ~ +60°C
Storage Temperature	-20°C ~ +70°C
(6) Input Power	> 0.5Watt

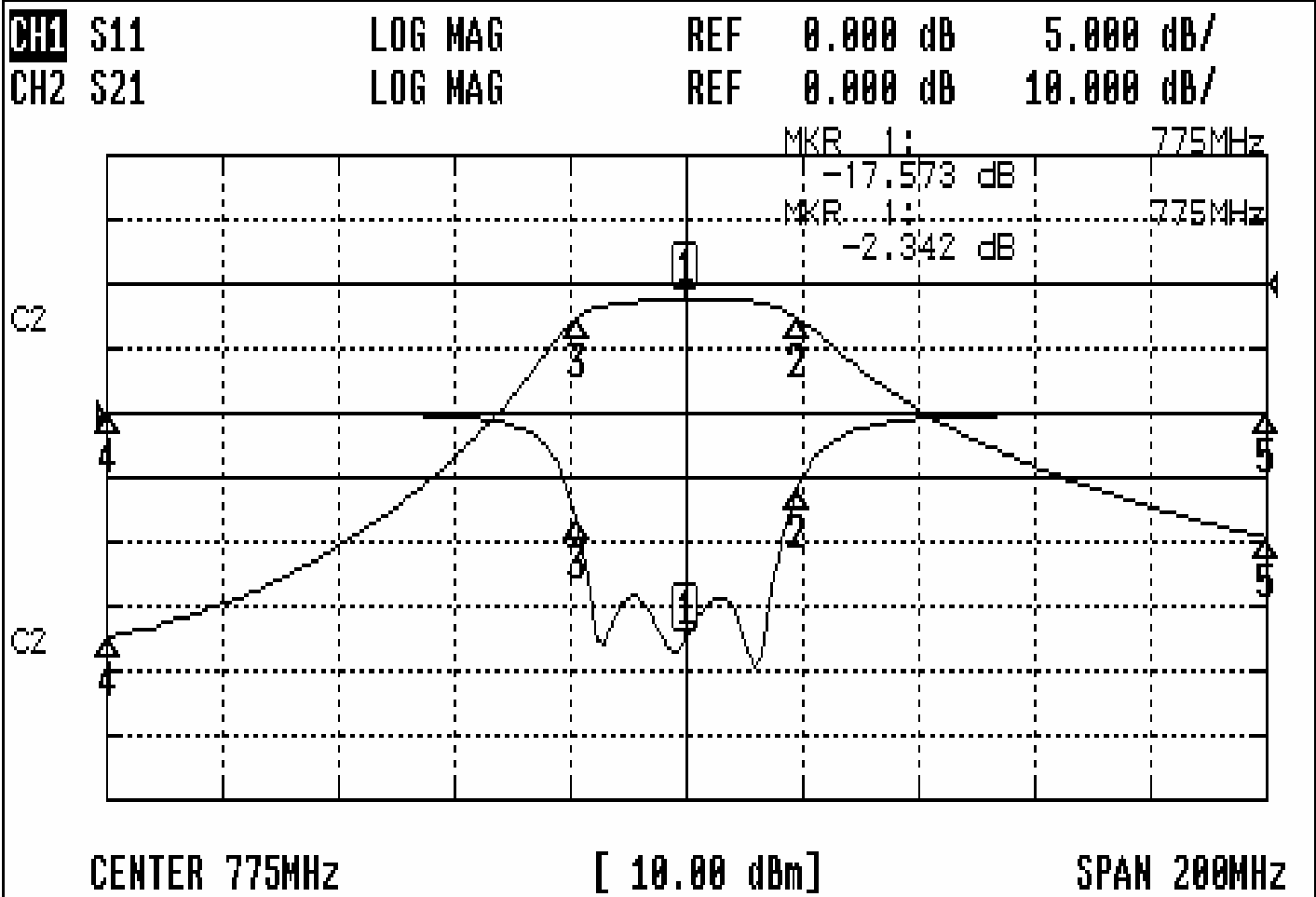


Approval C.Y.Chang	Supervisor C.K.Chang	Designer Y.L.Pan	Aperture size 5W3S(3.8*5.1)(5.12) 5HW024RB3
-----------------------	-------------------------	---------------------	---

TEMWELL CORPORATION

# Performance-TTW3504B-775M

## 201406051CD



### CH1 MARKER LIST

1:	775.000MHz	-17.572	dB
2:	794.333MHz	-15.890	dB
3:	756.166MHz	-10.179	dB
4:	675.000MHz	0.058	dB
5:	875.000MHz	0.070	dB

### CH2 MARKER LIST

1:	775.000MHz	-2.340	dB
2:	794.333MHz	-11.364	dB
3:	756.166MHz	-11.355	dB
4:	675.000MHz	-14.642	dB
5:	875.000MHz	-19.268	dB