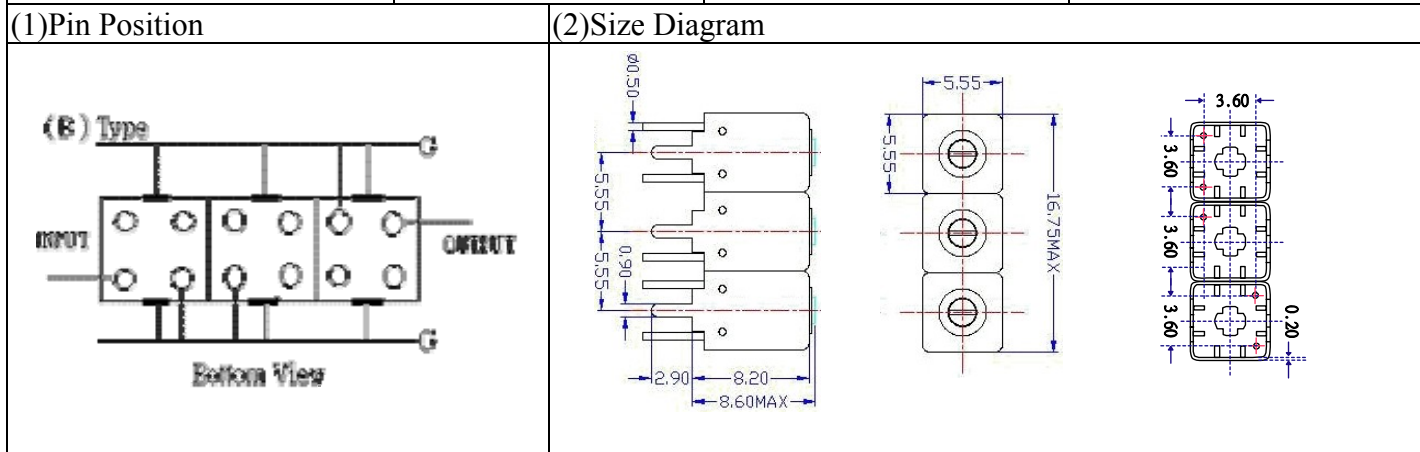
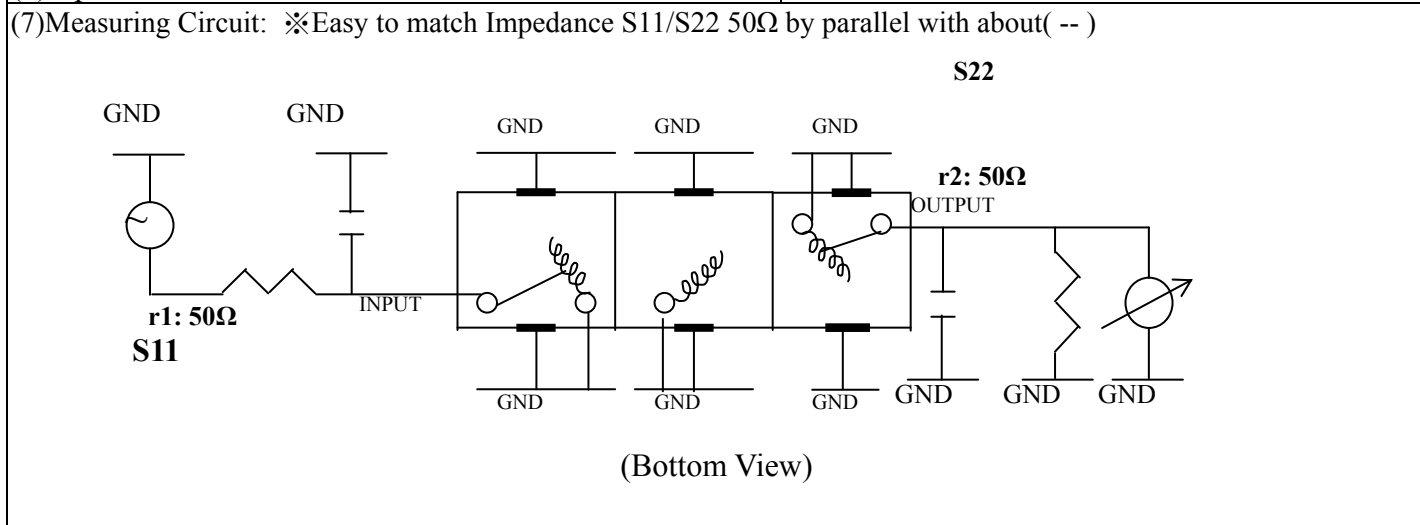


VHF UHF Helical Filter Specification Sheet

Customer Name		Temwell's Part No.	TTW3511B-815M
Approval No. /dated		Temwell's Print Name.	3511B 815M
Work Instruction No.	201406035CD	Date	Jun.18.2014



(3) Electric Character					
Item		Specify		Performance	
Center Freq.(Fo) +/- 0.5 %		815 MHz		815 MHz	
Insertion Loss		Typ. 4.5 dB		3.43 dB	
-3 dB Bandwidth		Typ. 15 MHz		22.6 MHz	
Sensitivity (Attenuation)	Fo - 50 MHz	Typ. 38 dBc		41 dBc	
	Fo + 50 MHz	Typ. 27 dBc		30 dBc	
	Fo - ()MHz	Typ. dBc		dBc	
	Fo + ()MHz	Typ. dBc		dBc	
Return Loss		Min. 12 dB		24.1 dB	
Ripple		< 1 dB		dB	
Impedance		In / Out : 50 Ω		In / Out : 50 Ω	
(4) Torque for Tuning Screw		> 60gf · cm			
(5) Temperature Condition:					
Operating Temperature		0°C ~ +60°C			
Storage Temperature		-20°C ~ +70°C			
(6) Input Power		> 0.5Watt			



Approval	Supervisor	Designer	Aperture size
C.Y.Chang	C.K.Chang	P.H.Chiang	5W3S(3.8*4.0)(4.04) 5HW024RB3

TEMWELL CORPORATION

Performance-TTW3511B-815M

201406035CD

