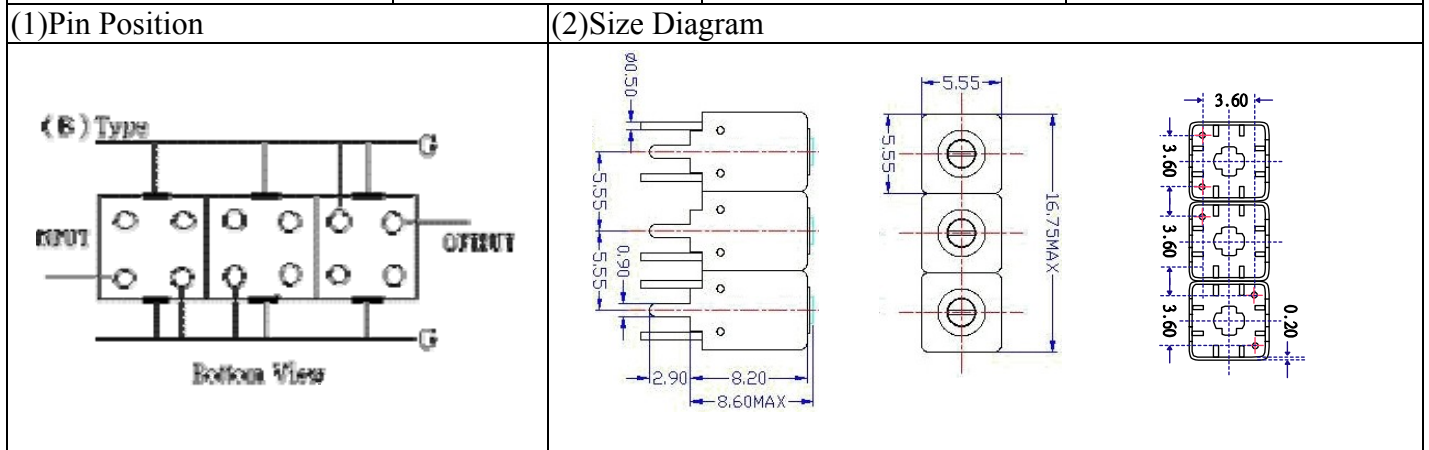


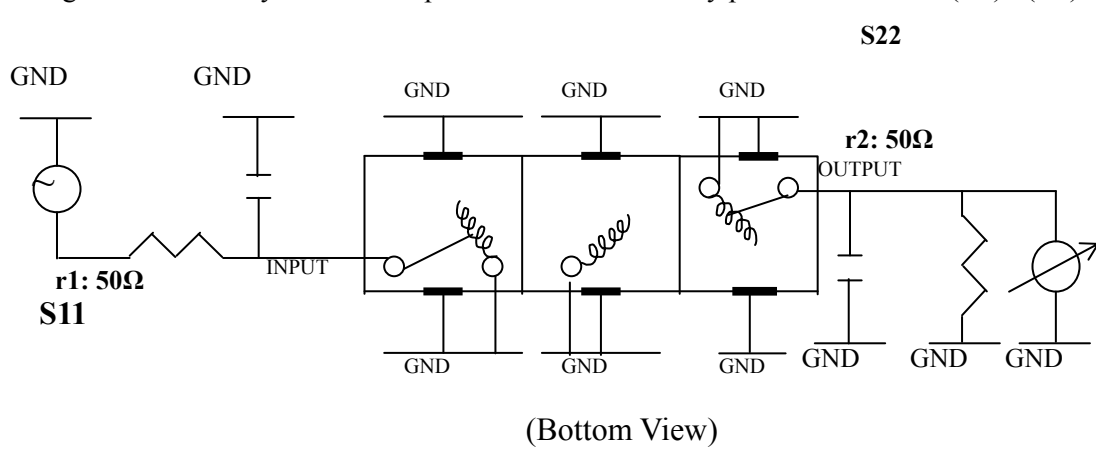
VHF UHF Helical Filter Specification Sheet

Customer Name		Temwell's Part No.	TTW3513B-850M
Approval No. /dated		Temwell's Print Name.	3513B 850M
Work Instruction No.	201406033CD	Date	Jun.17.2014



Item		Specify	Performance
Center Freq.(Fo) +/- 0.5 %		850 MHz	850 MHz
Insertion Loss		Typ. 3.5 dB	2.47 dB
-3 dB Bandwidth		Typ. 27 MHz	34.1 MHz
Sensitivity (Attenuation)	Fo - 50 MHz	Typ. 30 dBc	33 dBc
	Fo + 50 MHz	Typ. 23 dBc	26 dBc
	Fo - ()MHz	Typ. dBc	dBc
	Fo + ()MHz	Typ. dBc	dBc
Return Loss		Min. 12 dB	20.3 dB
Ripple		< 1 dB	dB
Impedance		In / Out : 50 Ω	In / Out : 50 Ω
(4) Torque for Tuning Screw		> 60gf · cm	
(5) Temperature Condition:			
Operating Temperature		0°C ~ +60°C	
Storage Temperature		-20°C ~ +70°C	
(6) Input Power		> 0.5Watt	

(7) Measuring Circuit: ※Easy to match Impedance S11/S22 50Ω by parallel with about(--) / (--).



Approval	Supervisor	Designer	Aperture size
C.Y.Chang	C.K.Chang	F.L.Lai	5W3S(3.8*4.0)(4.06) 5HW024RB3

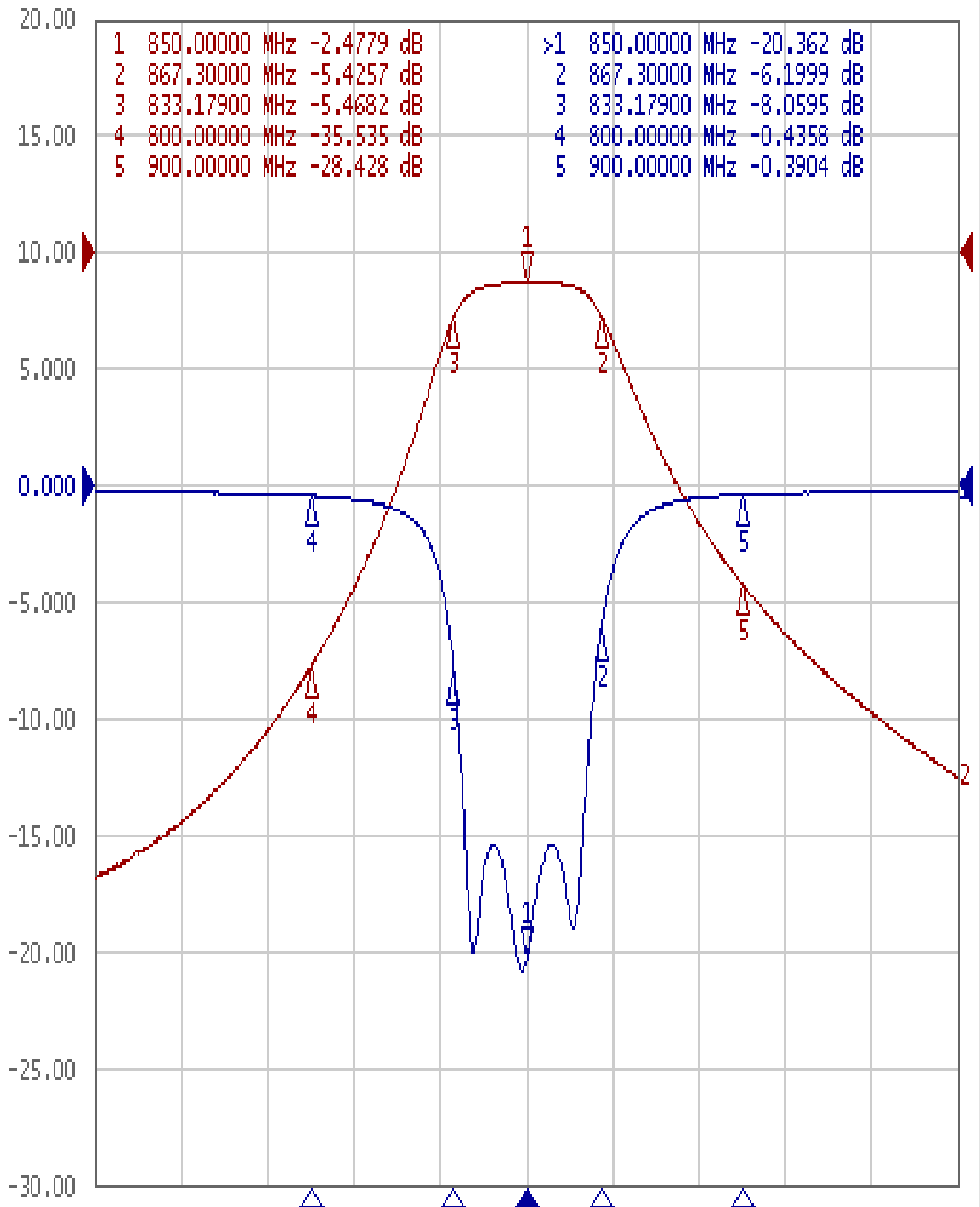
TEMWELL CORPORATION

Performance-TTW3513B-850M

201406033CD

Tr1 S11 Log Mag 5.000dB/ Ref 0.000dB [F2]

Tr2 S21 Log Mag 10.00dB/ Ref 0.000dB [F2]



1 Center 850 MHz

IFBW 10 kHz

Span 200 MHz Cor !