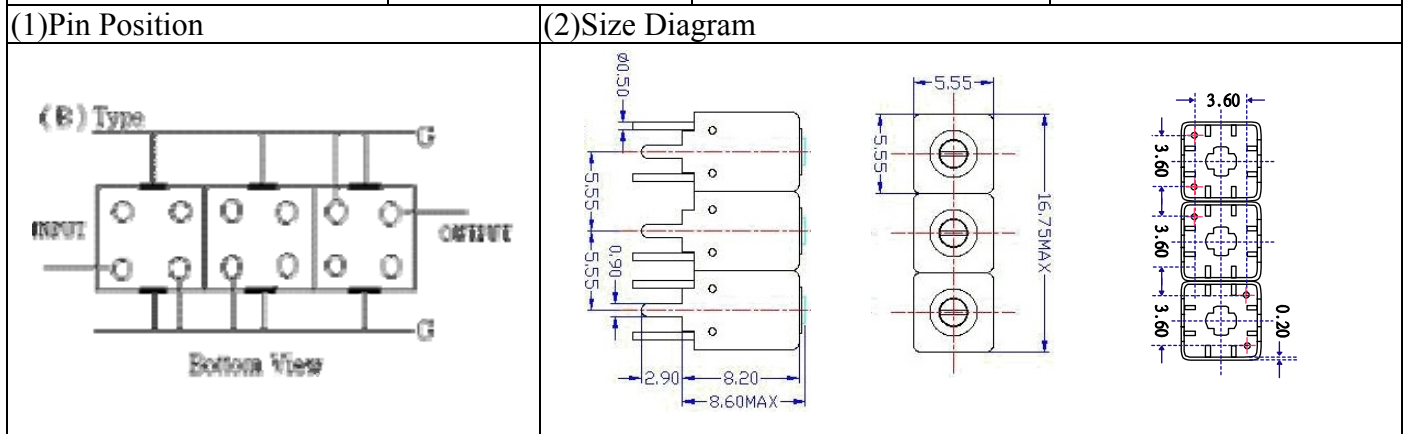


VHF UHF Helical Filter Specification Sheet

Customer Name		Temwell's Part No.	TTW3638B-275M
Approval No. /dated	201407180CD	Temwell's Print Name.	3638B 275M
Work Instruction No.	201407180CD	Date	Oct.24.2014



(3) Electric Character			
Item		Specify	Performance
Center Freq.(Fo) +/- 0.5 %		275 MHz	275 MHz
Insertion Loss		Typ. 7.5 dB	6.44 dB
-3 dB Bandwidth		Typ. 5 MHz	8.0 MHz
Sensitivity (Attenuation)	Fo - 50 MHz	Typ. 58 dBc	61 dBc
	Fo + 50 MHz	Typ. 62 dBc	65 dBc
	Fo - ()MHz	Typ. dBc	dBc
	Fo +()MHz	Typ. dBc	dBc
Return Loss		Min. 12 dB	20.9 dB
Ripple		< 1 dB	dB
Impedance		In / Out : 50 Ω	In / Out : 50 Ω

(4) Torque for Tuning Screw > 60gf · cm

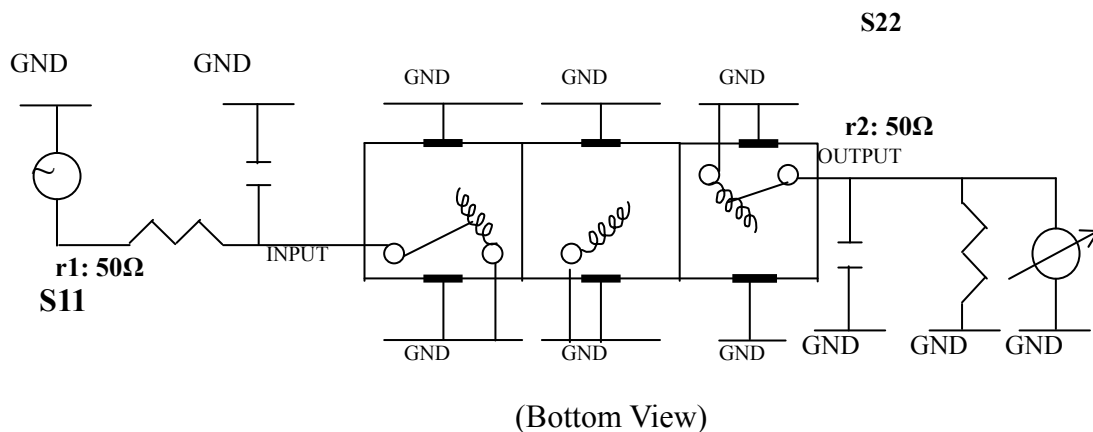
(5) Temperature Condition:

Operating Temperature 0°C ~ +60°C

Storage Temperature -20°C ~ +70°C

(6) Input Power > 0.5Watt

(7) Measuring Circuit: ※Easy to match Impedance S11/S22 50Ω by parallel with about(--) / (--).



Approval	Supervisor	Designer	Aperture size
C.Y.Chang	C.K.Chang	C.H.Yeh	5W3S(3.8*3.5)(3.55) 5HW00LB3

TEMWELL CORPORATION

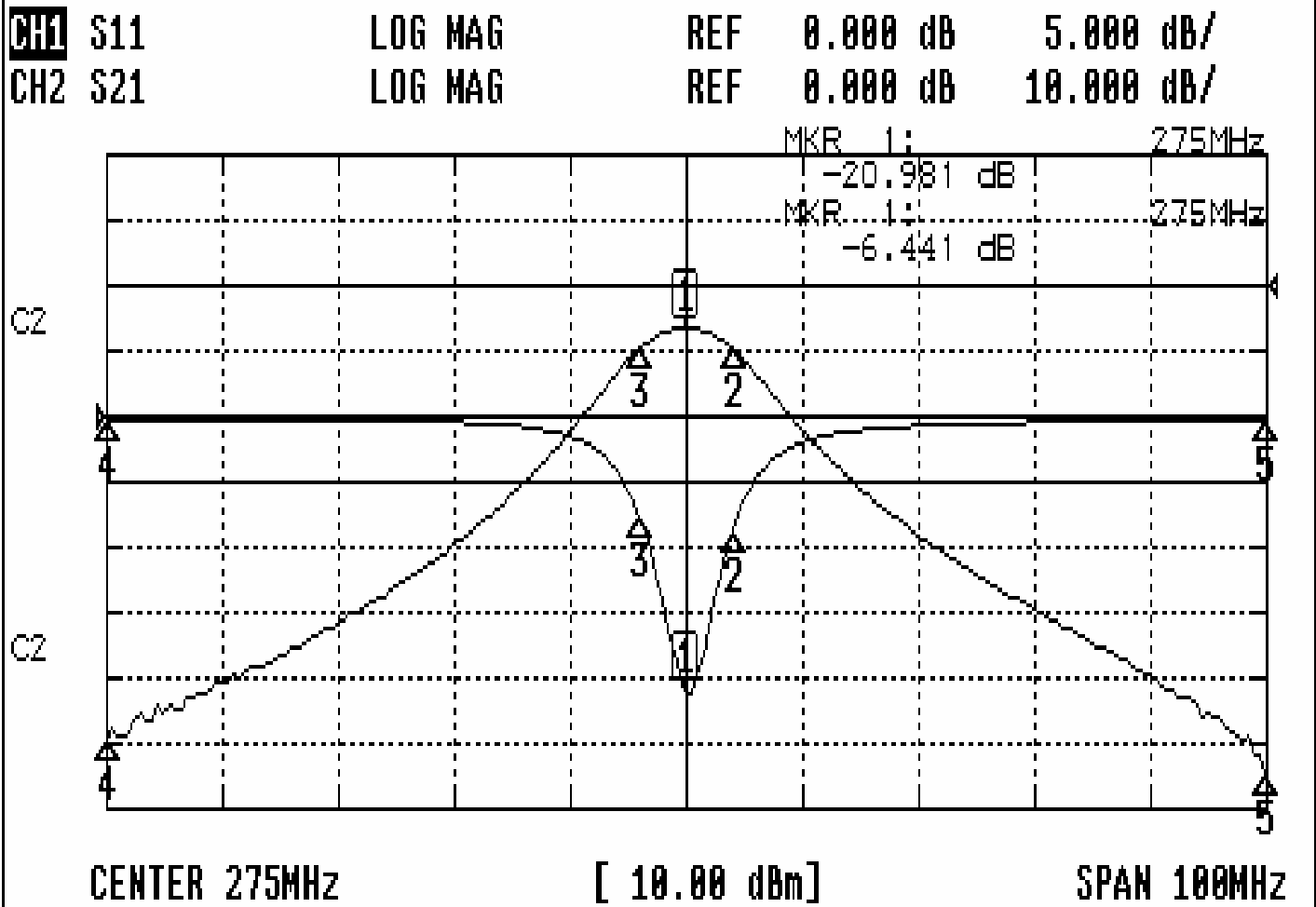
TEMWELL

Form10-5W3B Vision D

RP(C.H.Y)

Performance-TTW3638B-275M

201407180CD



CH1 MARKER LIST

1:	275.000MHz	-20.981	dB
2:	279.000MHz	-8.778	dB
3:	271.000MHz	-7.562	dB
4:	225.000MHz	-0.158	dB
5:	325.000MHz	-0.271	dB
6:			
7:			
8:			
9:			
10:			

CH2 MARKER LIST

1:	275.000MHz	-6.443	dB
2:	279.000MHz	-6.442	dB
3:	271.000MHz	-6.506	dB
4:	225.000MHz	-67.980	dB
5:	325.000MHz	-71.494	dB
6:			
7:			
8:			
9:			
10:			