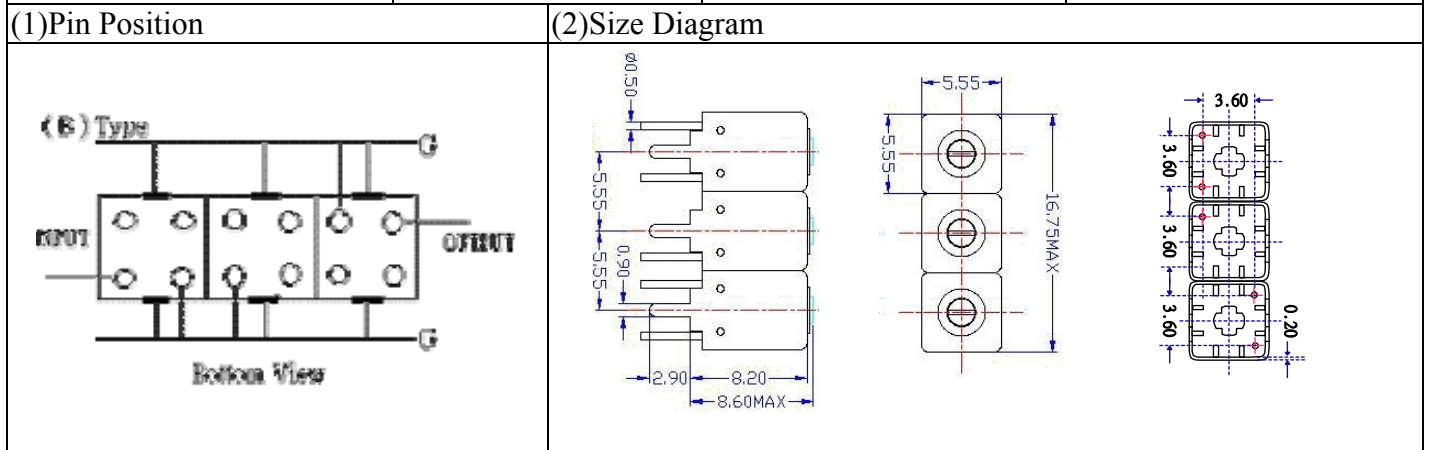


# VHF UHF Helical Filter Specification Sheet

Customer Name		Temwell's Part No.	TTW3639B-325M
Approval No. /dated	201407178CD	Temwell's Print Name.	3639B 325M
Work Instruction No.	201407178CD	Date	Oct.22.2014



### (3) Electric Character

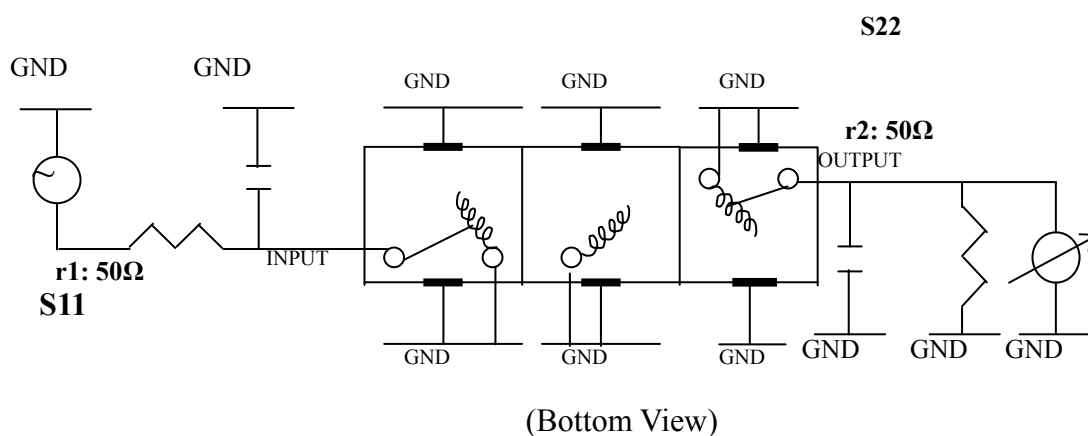
Item	Specify	Performance
Center Freq.(Fo) +/- 0.5 %	325 MHz	325 MHz
Insertion Loss	Typ. 6.5 dB	5.78 dB
-3 dB Bandwidth	Typ. 7 MHz	9.0 MHz
Sensitivity (Attenuation)	Fo - 50 MHz	Typ. 53 dBc
	Fo + 50 MHz	Typ. 62 dBc
	Fo - ( )MHz	Typ. dBc
	Fo + ( )MHz	Typ. dBc
Return Loss	Min. 12 dB	32.6 dB
Ripple	< 1 dB	dB
Impedance	In / Out : 50 Ω	In / Out : 50 Ω
(4) Torque for Tuning Screw	> 60gf • cm	

### (5) Temperature Condition:

Operating Temperature	0°C ~ +60°C
Storage Temperature	-20°C ~ +70°C

### (6) Input Power

(7) Measuring Circuit: ※Easy to match Impedance S11/S22 50Ω by parallel with about( -- ) / ( -- ).



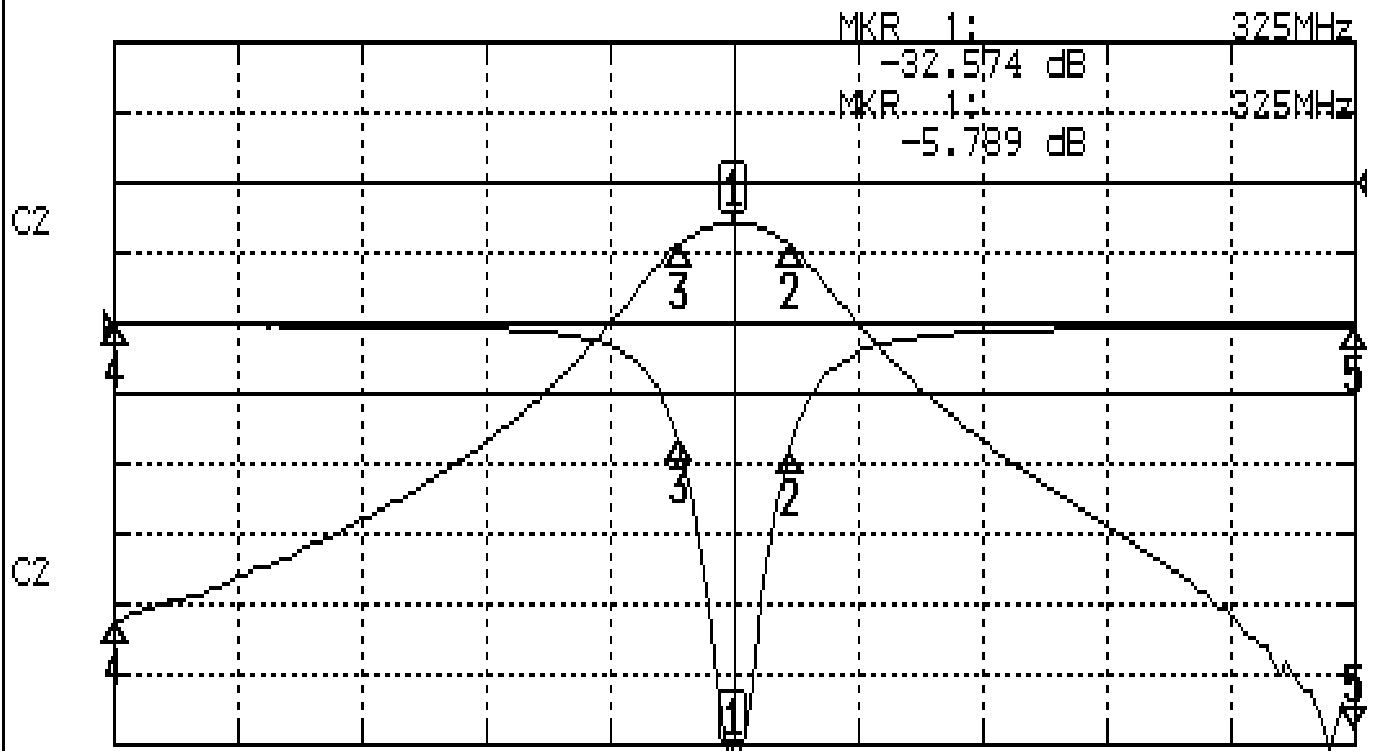
Approval	Supervisor	Designer	Aperture size
C.Y.Chang	C.K.Chang	C.H.Yeh	5W3S(3.8*3.5)(3.55) 5HW00LB3

TEMWELL CORPORATION

# Performance-TTW3639B-325M

## 201407178CD

CH1 S11 LOG MAG REF 0.000 dB 5.000 dB/  
CH2 S21 LOG MAG REF 0.000 dB 10.000 dB/



CENTER 325MHz

[ 10.00 dBm ]

SPAN 100MHz

### CH1 MARKER LIST

1:	325.000MHz	-32.645 dB
2:	329.500MHz	-9.070 dB
3:	320.500MHz	-8.220 dB
4:	275.000MHz	-0.112 dB
5:	375.000MHz	-0.205 dB

### CH2 MARKER LIST

1:	325.000MHz	-5.789 dB
2:	329.500MHz	-6.797 dB
3:	320.500MHz	-6.757 dB
4:	275.000MHz	-62.464 dB
5:	375.000MHz	-77.795 dB