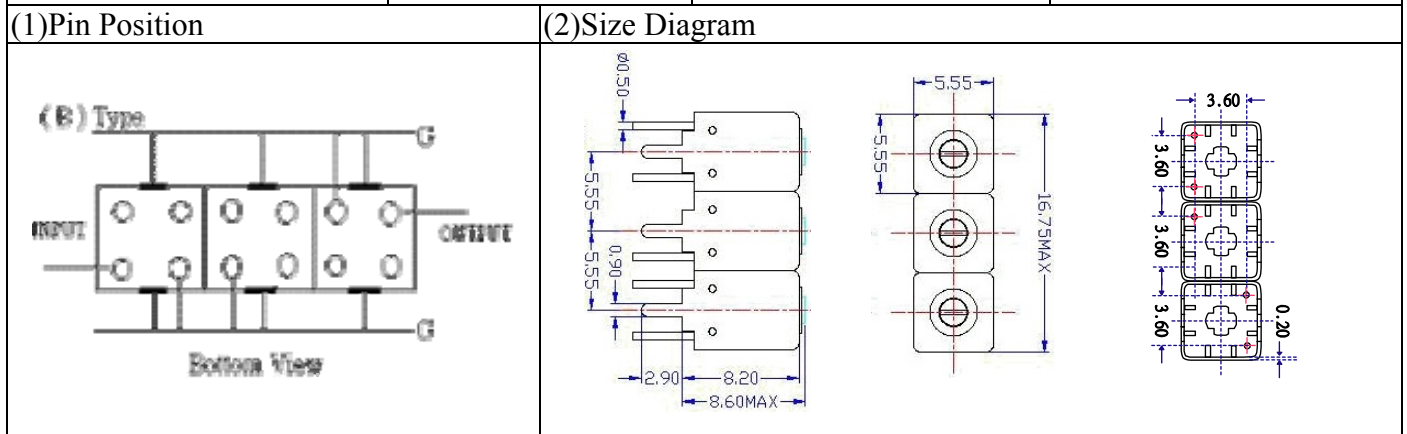


VHF UHF Helical Filter Specification Sheet

Customer Name		Temwell's Part No.	TTW3642B-725M
Approval No. /dated	201407173CD	Temwell's Print Name.	3642B 725M
Work Instruction No.	201407173CD	Date	Dec.02.2014



(3) Electric Character

Item	Specify	Performance	
Center Freq.(Fo) +/- 0.5 %	725 MHz	725 MHz	
Insertion Loss	Typ. 5.0 dB	3.58 dB	
-3 dB Bandwidth	Typ. 5 MHz	17.3 MHz	
Sensitivity (Attenuation)	Fo - 50 MHz	Typ. 40 dBc	43 dBc
	Fo + 50 MHz	Typ. 32 dBc	35 dBc
	Fo - ()MHz	Typ. dBc	dBc
	Fo +()MHz	Typ. dBc	dBc
Return Loss	Min. 12 dB	32.3 dB	
Ripple	< 1 dB	dB	
Impedance	In / Out : 50 Ω	In / Out : 50 Ω	

(4) Torque for Tuning Screw > 60gf · cm

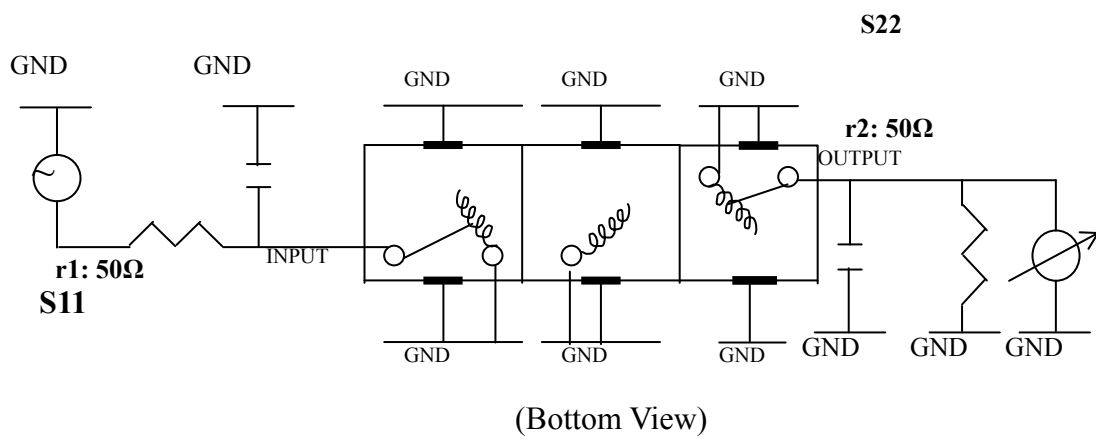
(5) Temperature Condition:

Operating Temperature 0°C ~ +60°C

Storage Temperature -20°C ~ +70°C

(6) Input Power > 0.5Watt

(7) Measuring Circuit: ※Easy to match Impedance S11/S22 50Ω by parallel with about(--) / (--).

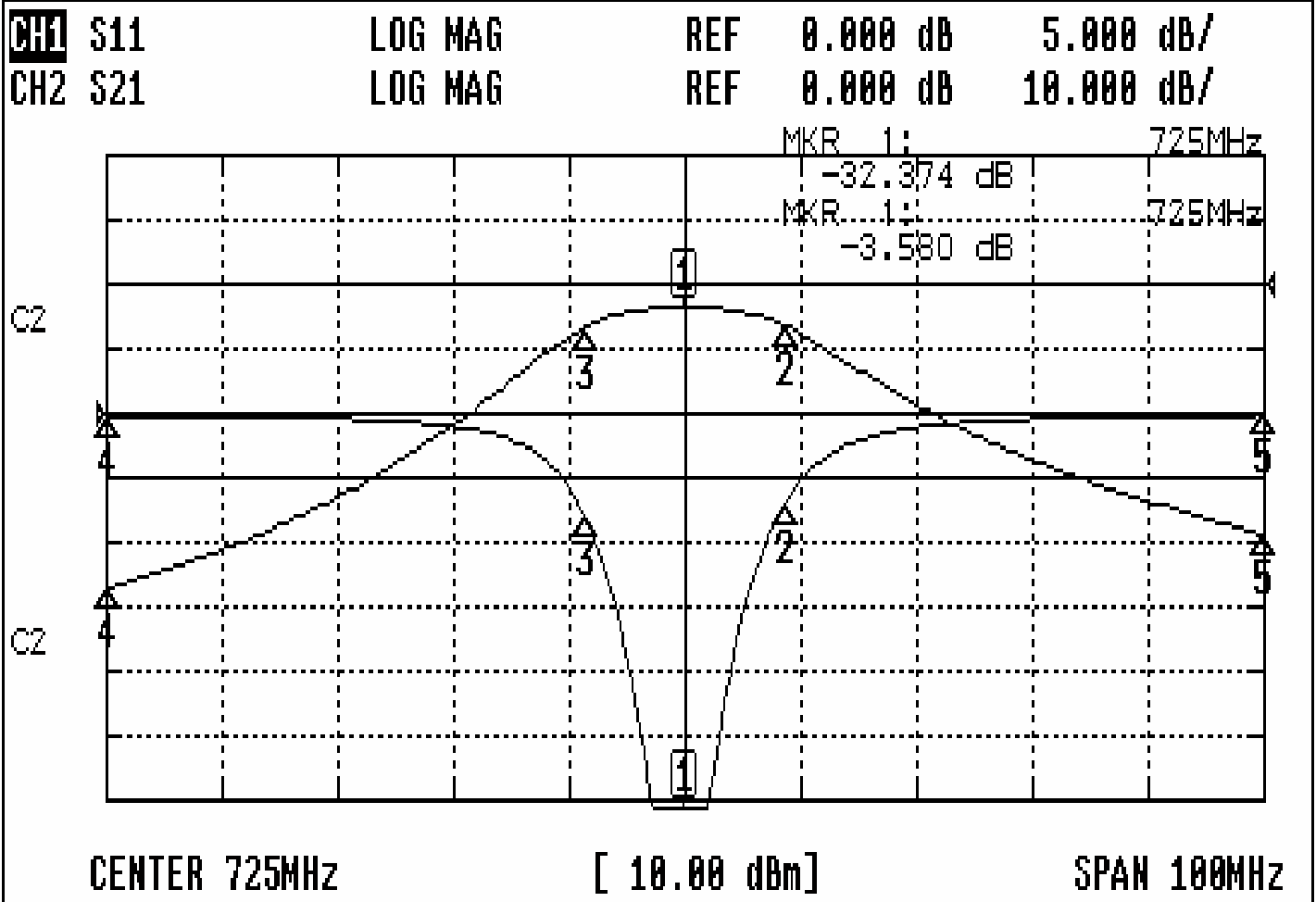


Approval C.Y.Chang	Supervisor C.K.Chang	Designer J.Yang	Aperture size 5W3S(3.8*3.5)(3.58) 5HW02RB3
-----------------------	-------------------------	--------------------	--

TEMWELL CORPORATION

Performance-TTW3642B-725M

201407173CD



CH1 MARKER LIST

1:	725.000MHz	-32.374 dB
2:	733.750MHz	-6.859 dB
3:	716.416MHz	-8.006 dB
4:	675.000MHz	-0.149 dB
5:	775.000MHz	-0.141 dB

CH2 MARKER LIST

1:	725.000MHz	-3.579 dB
2:	733.750MHz	-6.539 dB
3:	716.416MHz	-6.534 dB
4:	675.000MHz	-47.244 dB
5:	775.000MHz	-38.792 dB