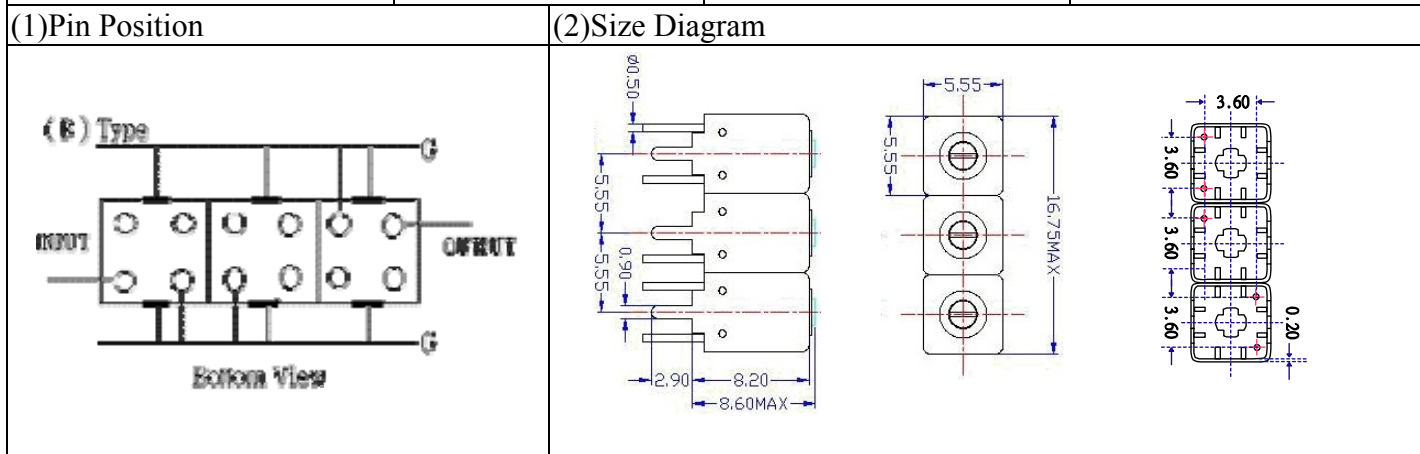


VHF UHF Helical Filter Specification Sheet

Customer Name		Temwell's Part No.	TTW3644B-825M
Approval No. /dated	201407171CD	Temwell's Print Name.	3644B 825M
Work Instruction No.	201407171CD	Date	Oct.16.2014



(3) Electric Character

Item	Specify	Performance
Center Freq.(Fo) +/- 0.5 %	825 MHz	825 MHz
Insertion Loss	Typ. 5.5 dB	4.98 dB
-3 dB Bandwidth	Typ. 5 MHz	15.8 MHz
Sensitivity (Attenuation)	Fo - 50 MHz	Typ. 33 dBc
	Fo + 50 MHz	Typ. 25 dBc
	Fo - ()MHz	Typ. dBc
	Fo + ()MHz	Typ. dBc
Return Loss	Min. 12 dB	21.6 dB
Ripple	< 1 dB	dB
Impedance	In / Out : 50 Ω	In / Out : 50 Ω

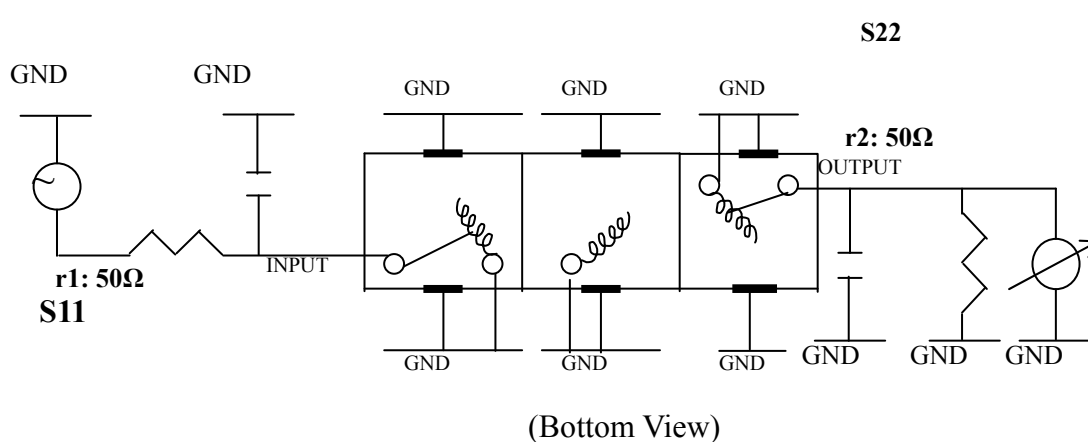
(4) Torque for Tuning Screw > 60gf • cm

(5) Temperature Condition:

Operating Temperature	0°C ~ +60°C
Storage Temperature	-20°C ~ +70°C

(6) Input Power > 0.5Watt

(7) Measuring Circuit: ※Easy to match Impedance S11/S22 50Ω by parallel with about(--)



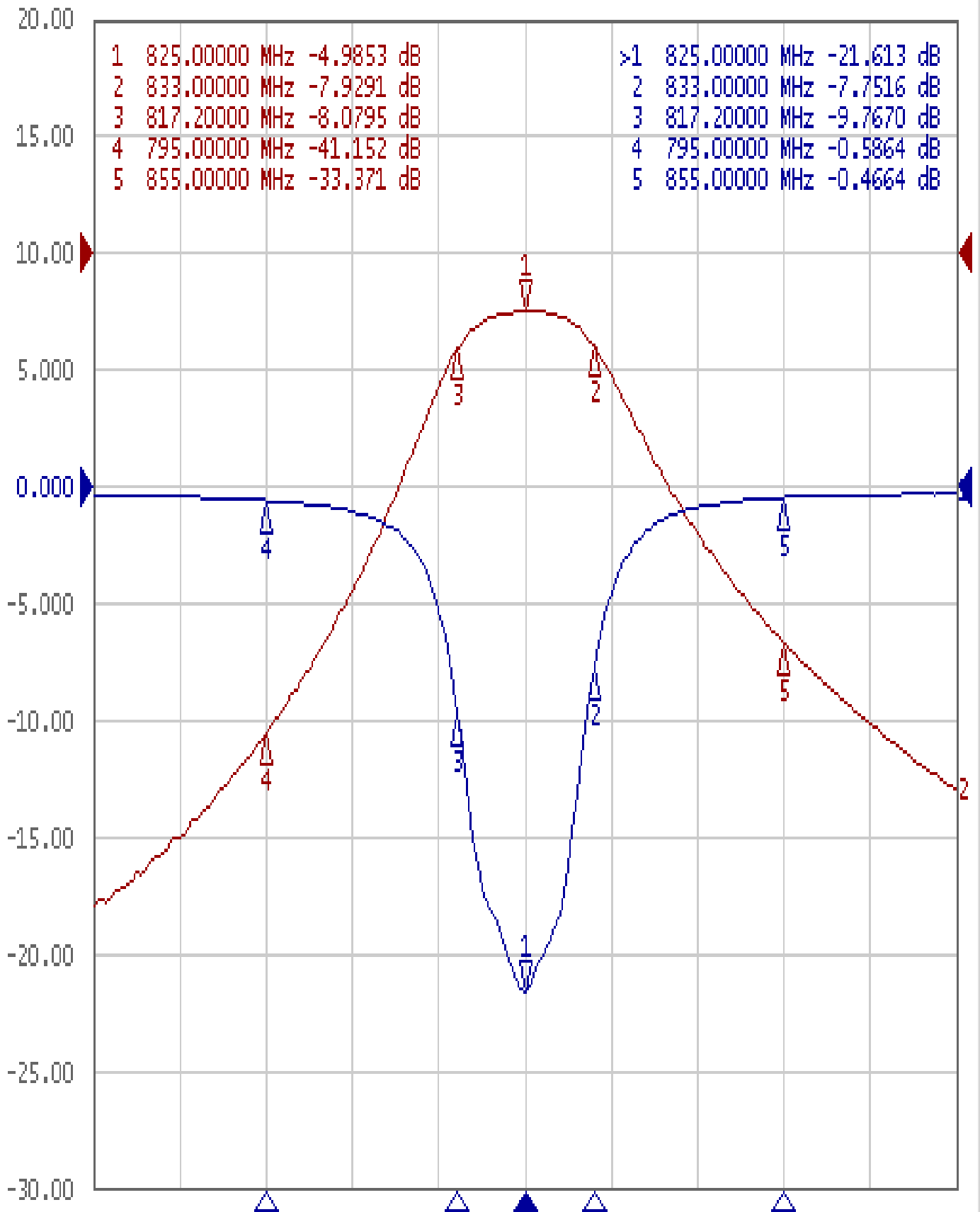
Approval C.Y.Chang	Supervisor C.K.Chang	Designer W.w.wang	Aperture size 5W3S(3.8*3.5)(3.58) 5HW024RB3
-----------------------	-------------------------	----------------------	---

TEMWELL CORPORATION

Performance-TTW3644B-825M

201407171CD

Tr1 S11 Log Mag 5.000dB/ Ref 0.000dB [F2]
Tr2 S21 Log Mag 10.000dB/ Ref 0.000dB [F2]



1 Center 825 MHz

IFBW 70 kHz

Span 100 MHz Cor !