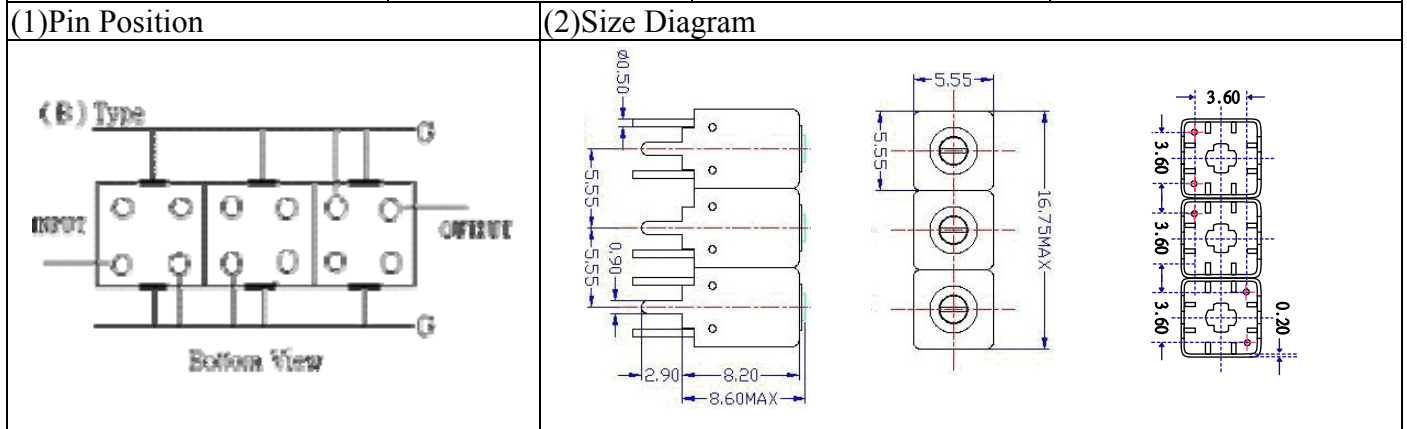


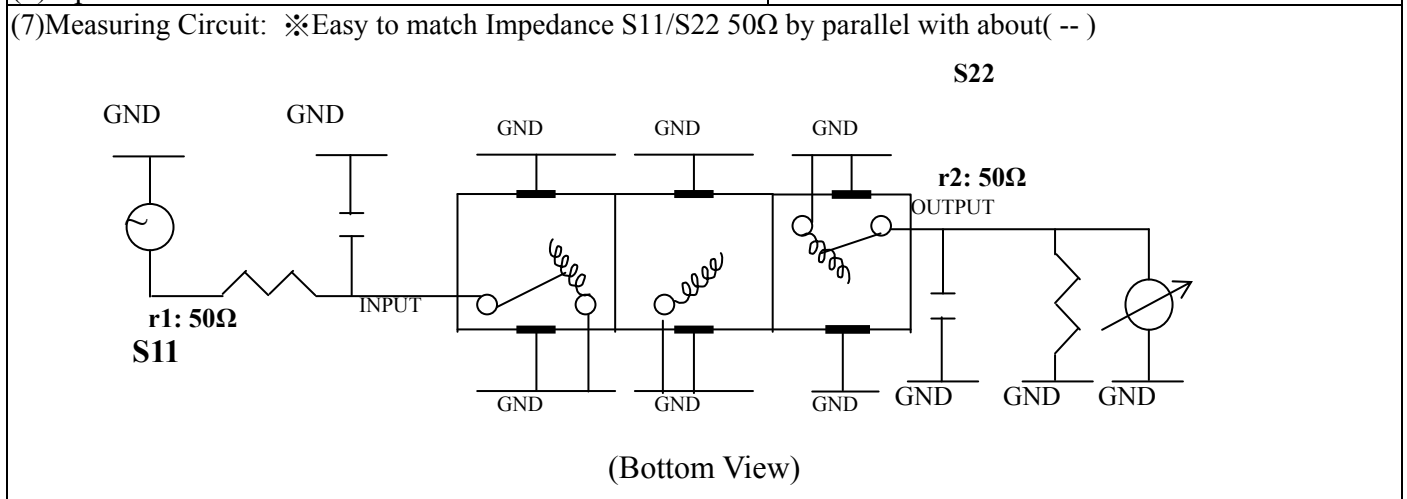
# VHF UHF Helical Filter Specification Sheet

Customer Name		Temwell's Part No.	TTW3645B-875M
Approval No. /dated	201407169CD	Temwell's Print Name.	3645B 875M
Work Instruction No.	201407169CD	Date	Oct.21.2014



(3) Electric Character			
Item	Specify	Performance	
Center Freq.(Fo) +/- 0.5 %	875 MHz	875	MHz
Insertion Loss	Typ. 6.5 dB	5.55	dB
-3 dB Bandwidth	Typ. 5 MHz	14.4	MHz
Sensitivity (Attenuation)	Fo - 50 MHz	Typ. 43	dBc
	Fo + 50 MHz	Typ. 35	dBc
	Fo - ( )MHz	Typ.	dBc
	Fo +( )MHz	Typ.	dBc
Return Loss	Min. 12 dB	38.7	dB
Ripple	< 1 dB		dB
Impedance	In / Out : 50 Ω	In / Out : 50 Ω	
(4) Torque for Tuning Screw	> 60gf · cm		

(5) Temperature Condition:	
Operating Temperature	0°C ~ +60°C
Storage Temperature	-20°C ~ +70°C
(6) Input Power	> 0.5Watt



Approval C.Y.Chang	Supervisor C.K.Chang	Designer W.w.wang	Aperture size 5W3S(3.8*3.5)(3.58) 5HW02RB3
-----------------------	-------------------------	----------------------	--

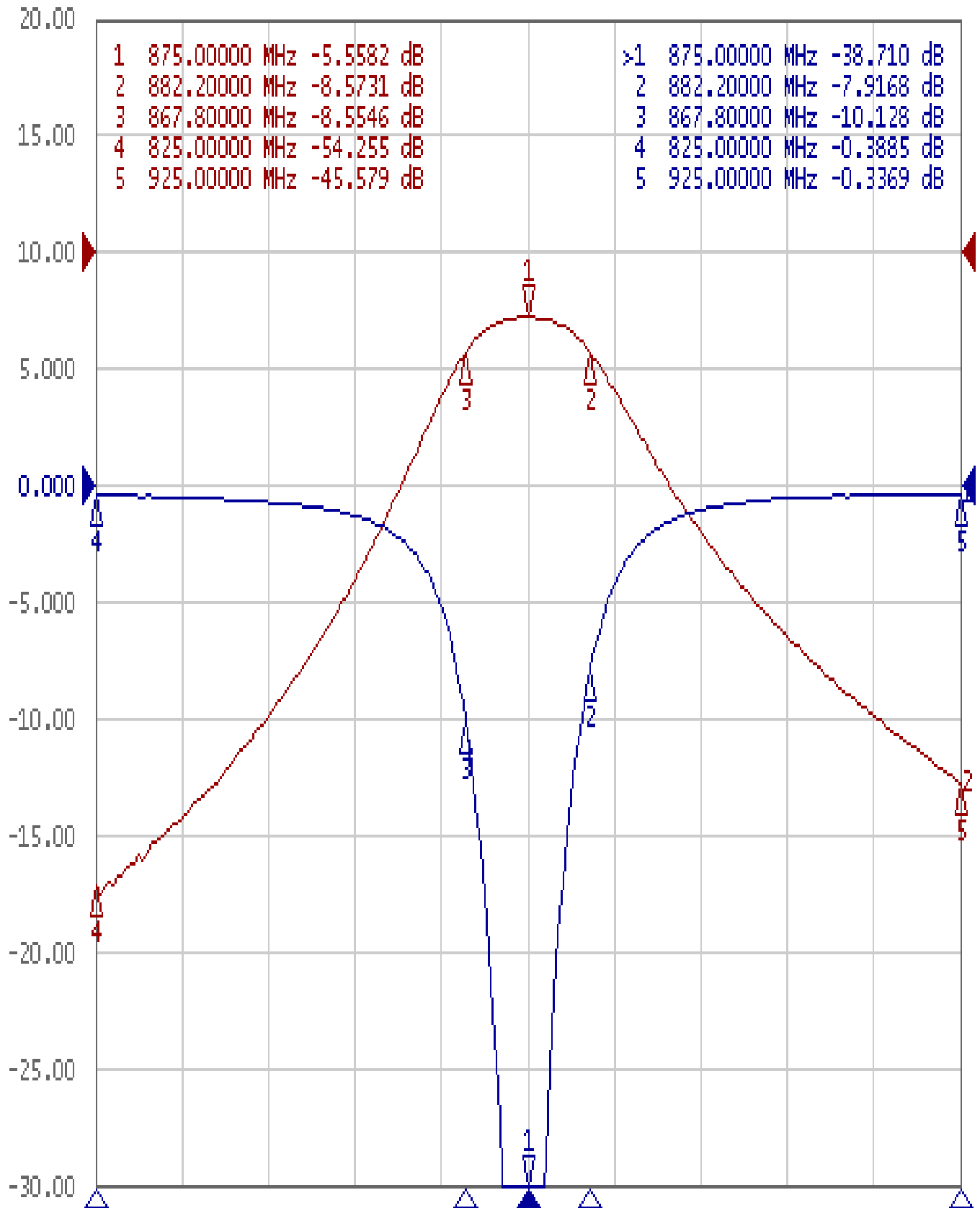
TEMWELL CORPORATION

# Performance-TTW3645B-875M

## 201407169CD

Tr1 S11 Log Mag 5.000dB/ Ref 0.000dB [F2]

Tr2 S21 Log Mag 10.00dB/ Ref 0.000dB [F2]



1 Center 875 MHz

IFBW 70 kHz

Span 100 MHz

Cor !