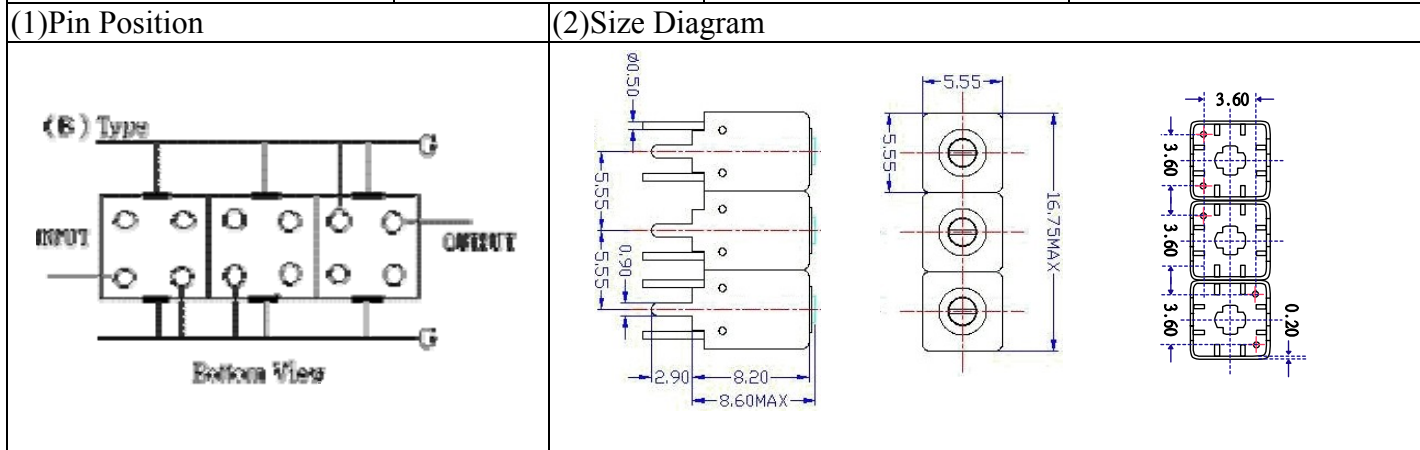


# VHF UHF Helical Filter Specification Sheet

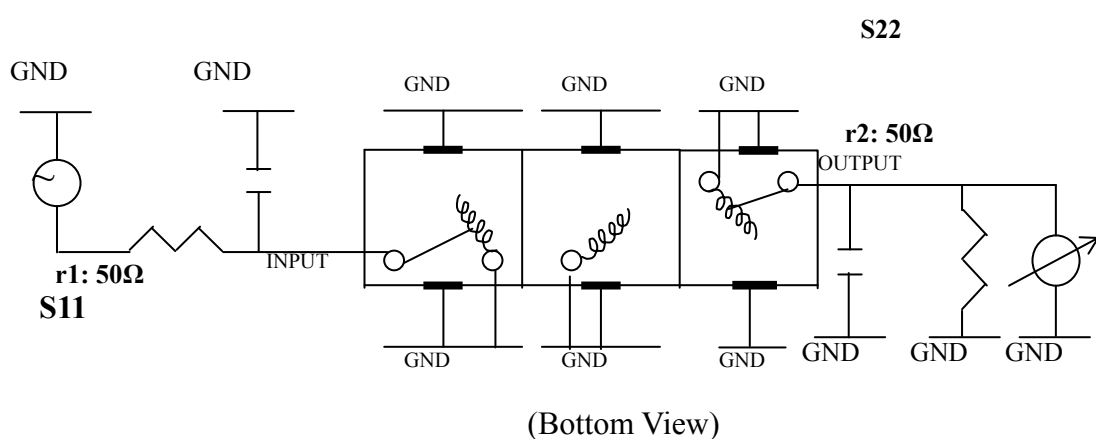
Customer Name		Temwell's Part No.	TTW3646B-925M
Approval No. /dated	201407168CD	Temwell's Print Name.	3646B 925M
Work Instruction No.	201407168CD	Date	Oct.22.2014



(3) Electric Character

Item	Specify	Performance
Center Freq.(Fo) +/- 0.5 %	925 MHz	925 MHz
Insertion Loss	Typ. 7.0 dB	5.96 dB
-3 dB Bandwidth	Typ. 5 MHz	13.3 MHz
Sensitivity (Attenuation)	Fo - 50 MHz	Typ. 46 dBc
	Fo + 50 MHz	Typ. 36 dBc
	Fo - ( )MHz	Typ. dBc
	Fo +( )MHz	Typ. dBc
Return Loss	Min. 12 dB	24.6 dB
Ripple	< 1 dB	dB
Impedance	In / Out : 50 Ω	In / Out : 50 Ω
(4) Torque for Tuning Screw	> 60gf • cm	
(5) Temperature Condition:		
Operating Temperature	0°C ~ +60°C	
Storage Temperature	-20°C ~ +70°C	
(6) Input Power	> 0.5Watt	

(7) Measuring Circuit: ※Easy to match Impedance S11/S22 50Ω by parallel with about( -- )



Approval	Supervisor	Designer	Aperture size
C.Y.Chang	C.K.Chang	W.w.wang	5W3S(3.8*3.5)(3.58) 5HW024RB3

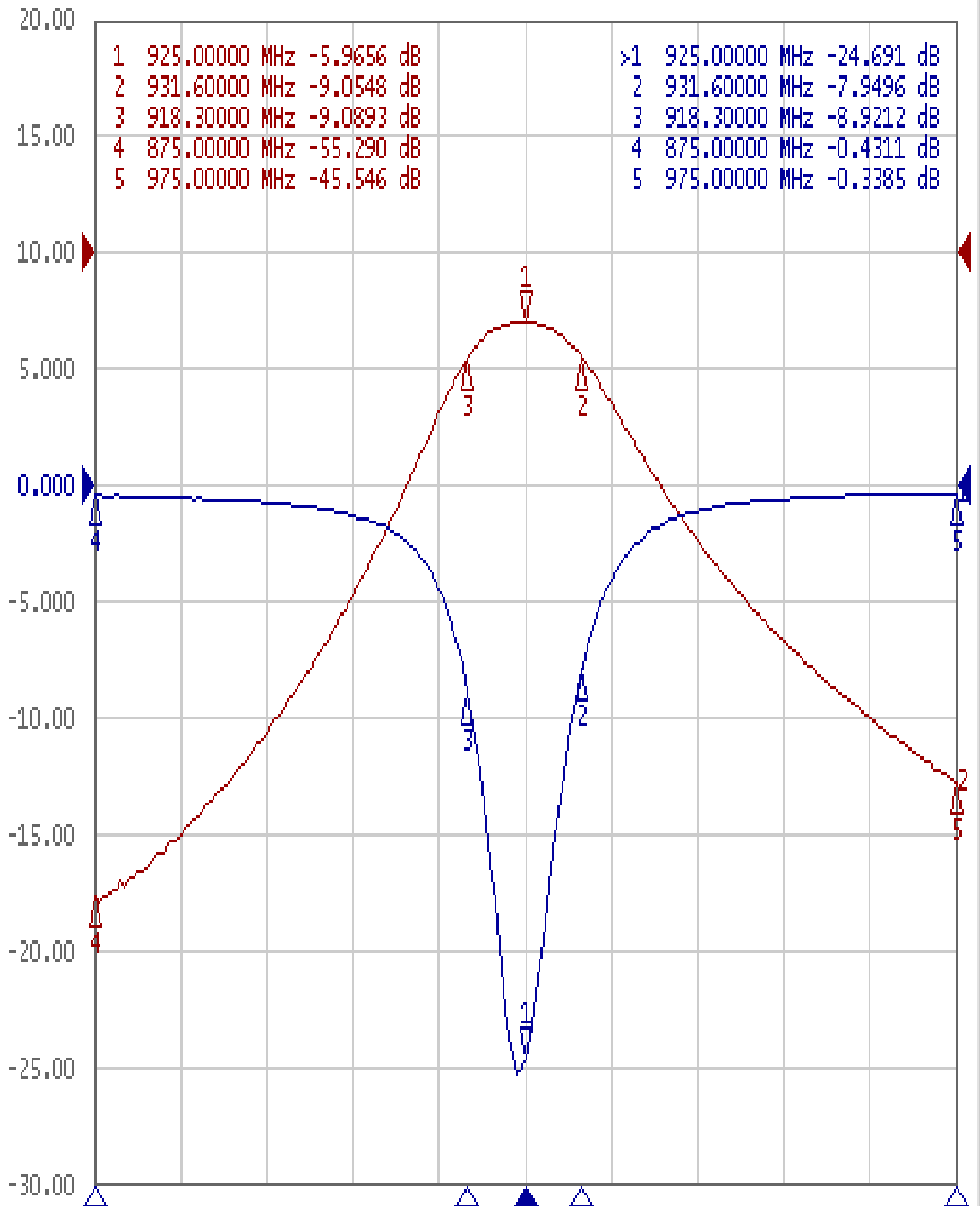
TEMWELL CORPORATION

# Performance-TTW3646B-925M

## 201407168CD

Tr1 S11 Log Mag 5.000dB/ Ref 0.000dB [F2]

Tr2 S21 Log Mag 10.00dB/ Ref 0.000dB [F2]



1 Center 925 MHz

IFBW 70 kHz

Span 100 MHz Cor !