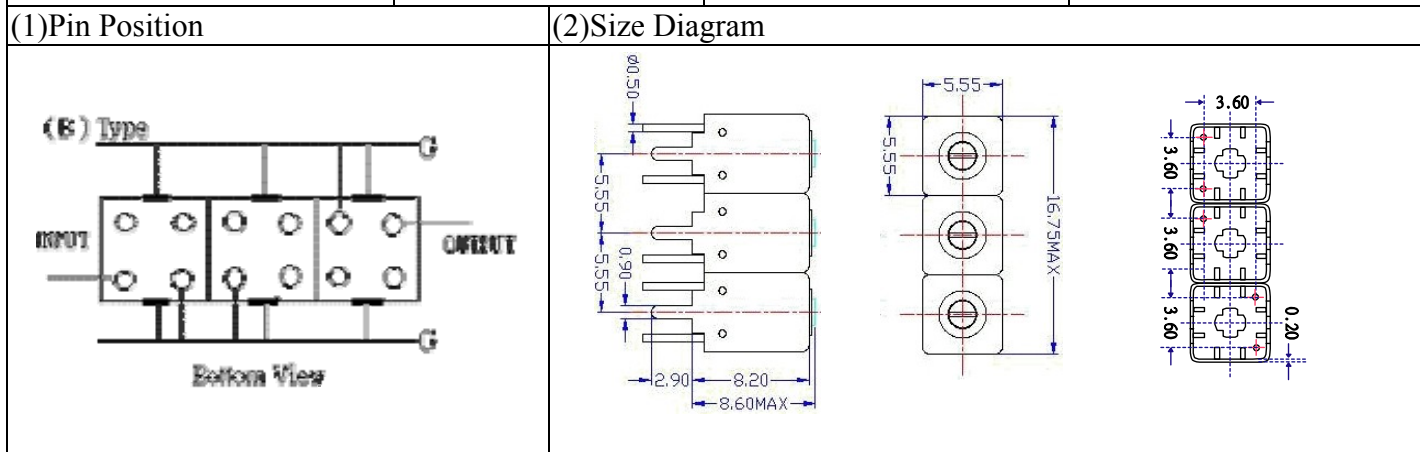


VHF UHF Helical Filter Specification Sheet

Customer Name		Temwell's Part No.	TTW3651B-469.5M
Approval No. /dated	201407176CD	Temwell's Print Name.	3651B 469.5M
Work Instruction No.	201407176CD	Date	Oct.20.2014



(3) Electric Character

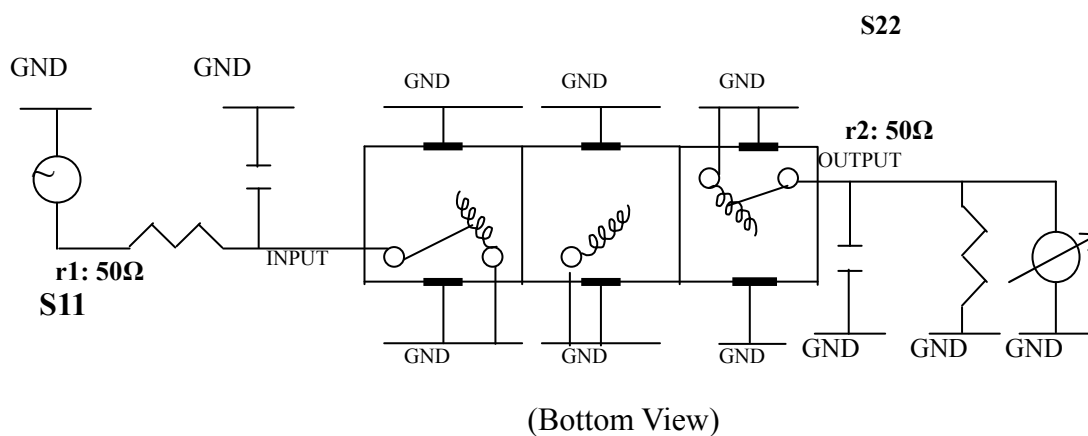
Item	Specify	Performance
Center Freq.(Fo) +/- 0.5 %	469.5 MHz	469.5 MHz
Insertion Loss	Typ. 4.5 dB	3.65 dB
-3 dB Bandwidth	Typ. 10 MHz	13.8 MHz
Sensitivity (Attenuation)	Fo - 50 MHz	Typ. 52 dBc
	Fo + 50 MHz	Typ. 36 dBc
	Fo - ()MHz	Typ. dBc
	Fo + ()MHz	Typ. dBc
Return Loss	Min. 12 dB	38.7 dB
Ripple	< 1 dB	dB
Impedance	In / Out : 50 Ω	In / Out : 50 Ω
(4) Torque for Tuning Screw	> 60gf • cm	

(5) Temperature Condition:

Operating Temperature	0°C ~ +60°C
Storage Temperature	-20°C ~ +70°C

(6) Input Power

(7) Measuring Circuit: ※Easy to match Impedance S11/S22 50Ω by parallel with about(--) / (--).



Approval	Supervisor	Designer	Aperture size
C.Y.Chang	C.K.Chang	C.H.Yeh	5W3S(3.8*4.0)(4.12) 5HW024RB3

TEMWELL CORPORATION

TEMWELL

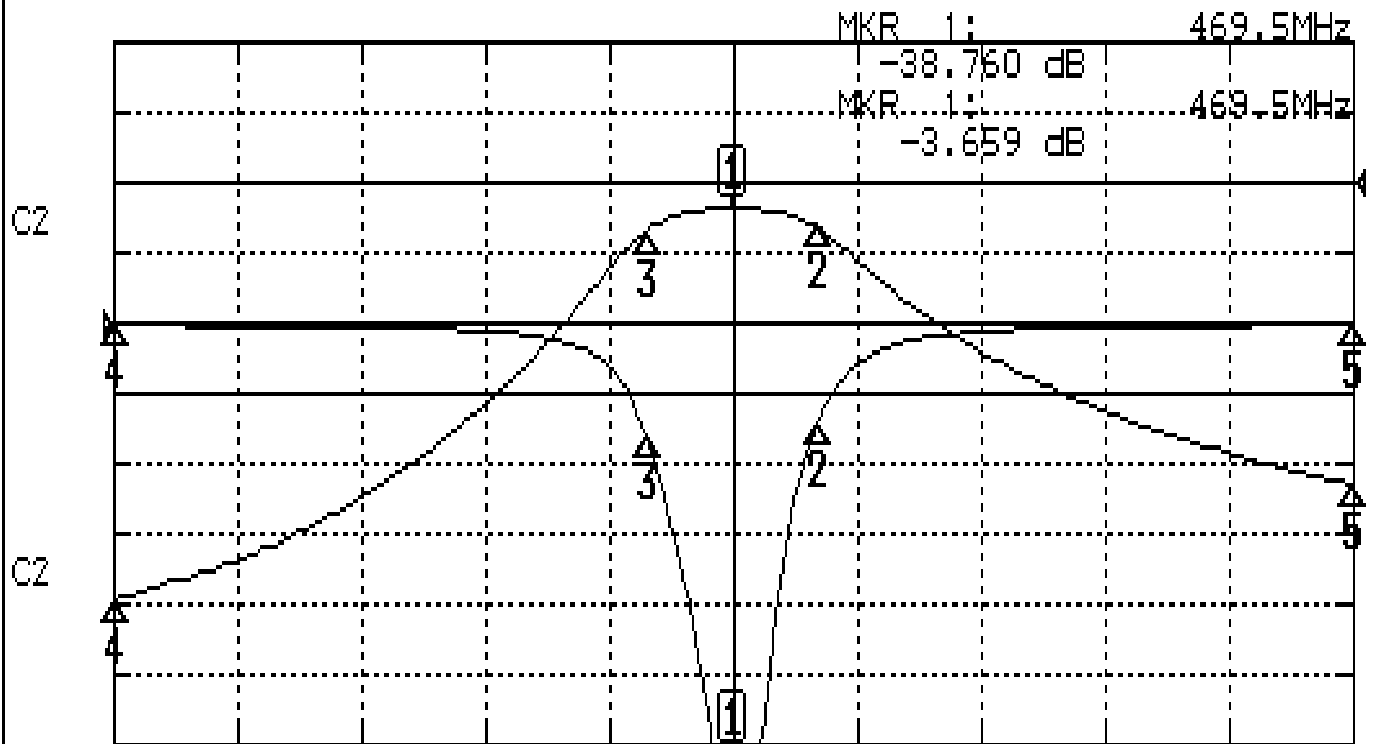
Form10-5W3B Vision D

RP(C.H.Y)

Performance-TTW3651B-469.5M

201407176CD

CH1 S11 LOG MAG REF 0.000 dB 5.000 dB/
CH2 S21 LOG MAG REF 0.000 dB 10.000 dB/



CENTER 469.5MHz

[10.00 dBm]

SPAN 100MHz

CH1 MARKER LIST

Marker	Frequency (MHz)	Magnitude (dB)
1:	469.500MHz	-38.760 dB
2:	476.416MHz	-16.889 dB
3:	462.583MHz	-18.103 dB
4:	419.500MHz	-10.120 dB
5:	519.500MHz	-10.109 dB
6:		
7:		
8:		
9:		
10:		

CH2 MARKER LIST

Marker	Frequency (MHz)	Magnitude (dB)
1:	469.500MHz	-3.659 dB
2:	476.416MHz	-16.652 dB
3:	462.583MHz	-17.717 dB
4:	419.500MHz	-15.750 dB
5:	519.500MHz	-15.149 dB
6:		
7:		
8:		
9:		
10:		