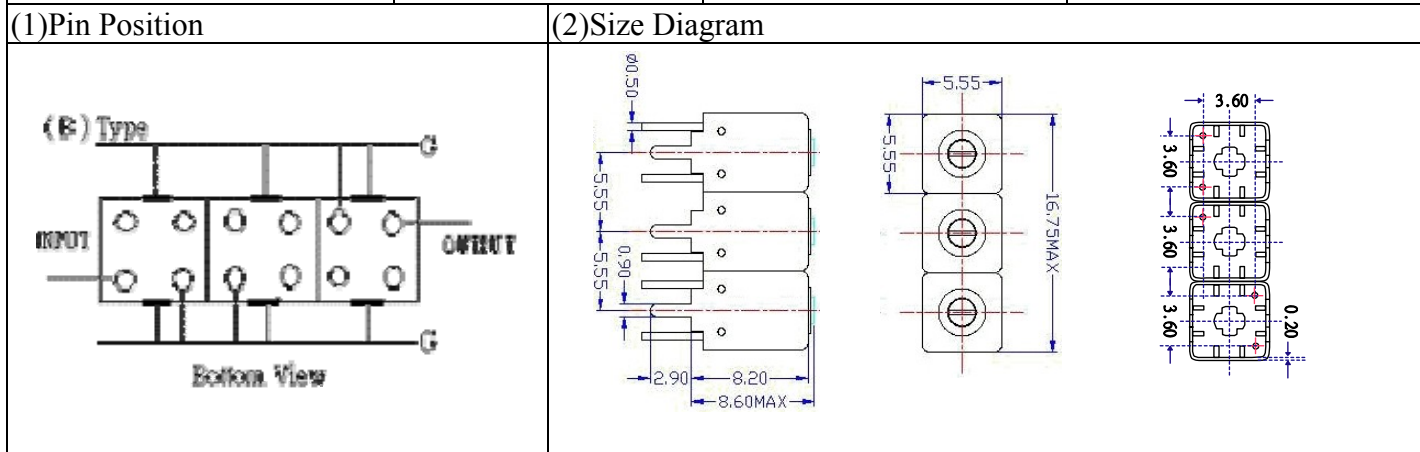


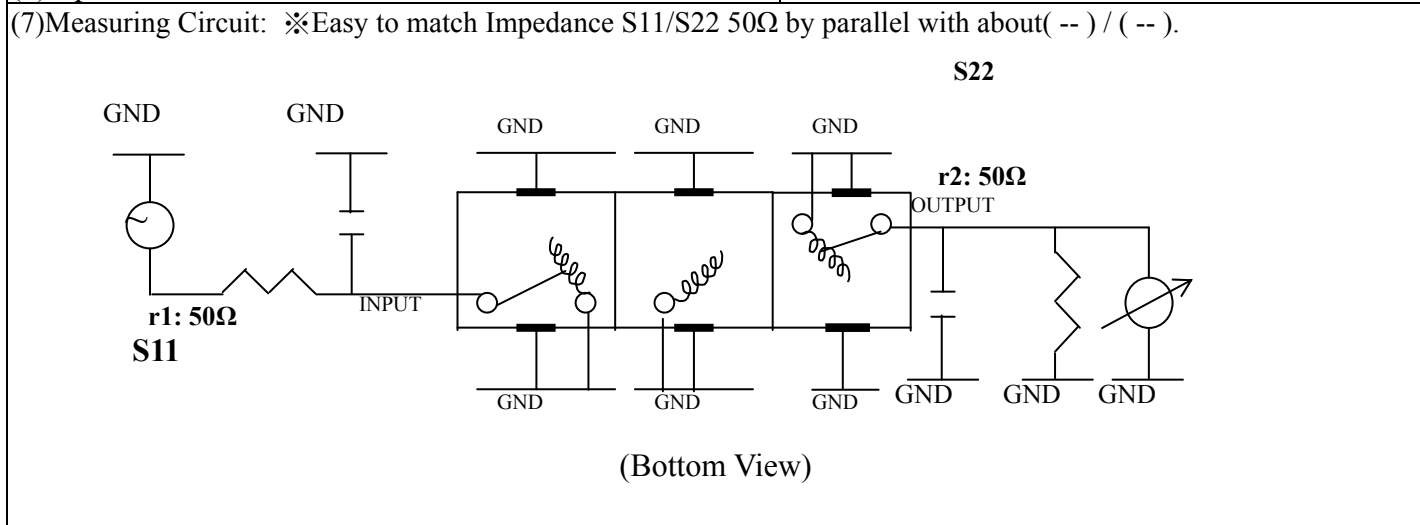
VHF UHF Helical Filter Specification Sheet

| | | | |
|----------------------|-------------|-----------------------|---------------|
| Customer Name | | Temwell's Part No. | TTW3652B-525M |
| Approval No. /dated | 201407175CD | Temwell's Print Name. | 3652B 525M |
| Work Instruction No. | 201407175CD | Date | Dec.04.2014 |



(3) Electric Character

| Item | Specify | Performance |
|------------------------------|-----------------|-----------------|
| Center Freq.(Fo) +/- 0.5 % | 525 MHz | 525 MHz |
| Insertion Loss | Typ. 5.0 dB | 3.67 dB |
| -3 dB Bandwidth | Typ. 10 MHz | 16.2 MHz |
| Sensitivity (Attenuation) | Fo - 50 MHz | Typ. 48 dBc |
| | Fo + 50 MHz | Typ. 36 dBc |
| | Fo - ()MHz | Typ. dBc |
| | Fo + ()MHz | Typ. dBc |
| Return Loss | Min. 12 dB | 26.5 dB |
| Ripple | < 1 dB | dB |
| Impedance | In / Out : 50 Ω | In / Out : 50 Ω |
| (4) Torque for Tuning Screw | > 60gf · cm | |
| (5) Temperature Condition: | | |
| Operating Temperature | 0°C ~ +60°C | |
| Storage Temperature | -20°C ~ +70°C | |
| (6) Input Power | > 0.5Watt | |



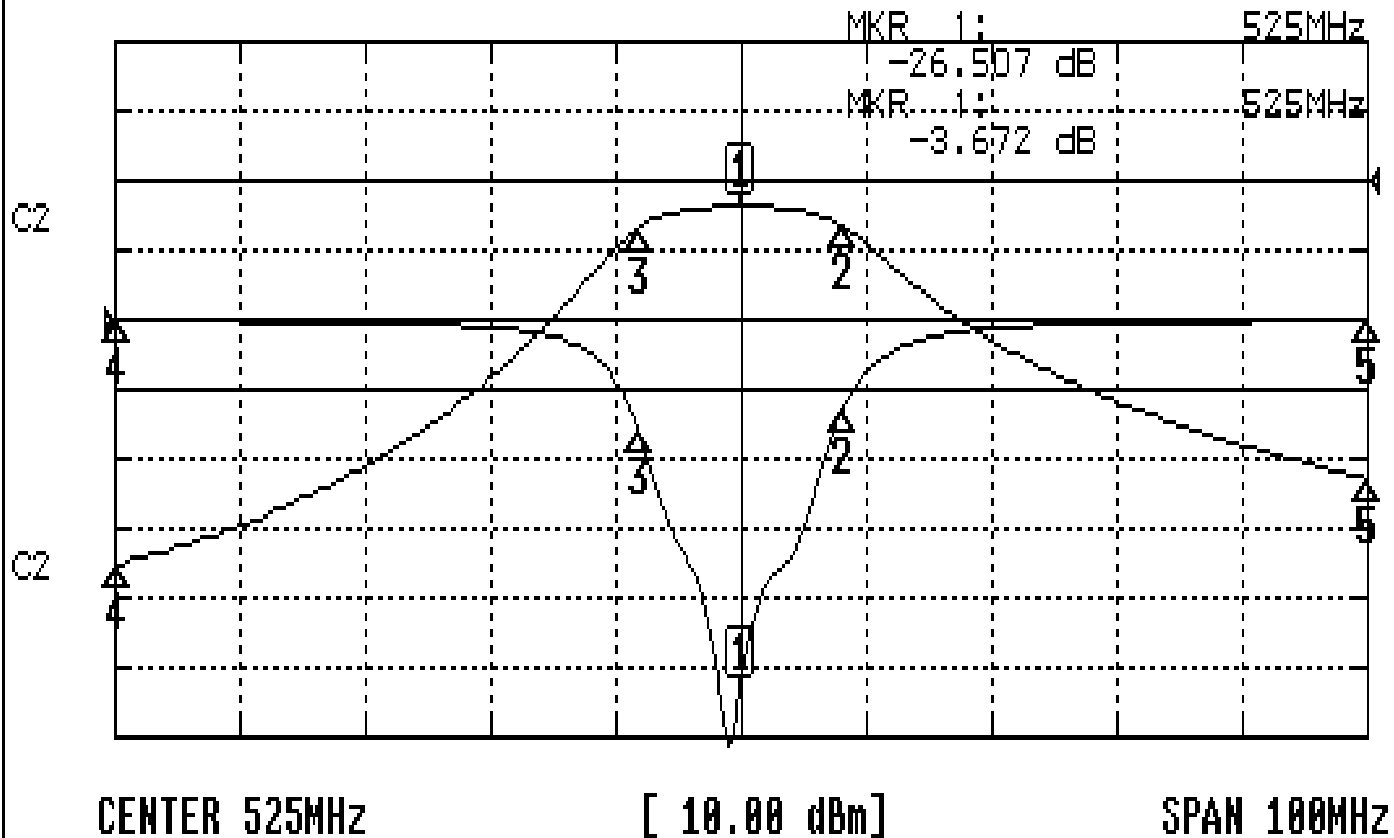
| | | | |
|-----------|------------|----------|----------------------------------|
| Approval | Supervisor | Designer | Aperture size |
| C.Y.Chang | C.K.Chang | J.Yang | 5W3S(3.8*4.0)(4.12) 5HW024RB3 |

TEMWELL CORPORATION

Performance-TTW3652B-525M

201407175CD

CH1 S11 LOG MAG REF 0.000 dB 5.000 dB/
CH2 S21 LOG MAG REF 0.000 dB 10.000 dB/



CH1 MARKER LIST

| | | |
|----|------------|------------|
| 1: | 525.000MHz | -26.492 dB |
| 2: | 533.166MHz | -6.523 dB |
| 3: | 516.916MHz | -8.134 dB |
| 4: | 475.000MHz | -0.114 dB |
| 5: | 575.000MHz | -0.095 dB |

CH2 MARKER LIST

| | | |
|----|------------|------------|
| 1: | 525.000MHz | -3.672 dB |
| 2: | 533.166MHz | -6.611 dB |
| 3: | 516.916MHz | -6.657 dB |
| 4: | 475.000MHz | -5.149 dB |
| 5: | 575.000MHz | -42.825 dB |