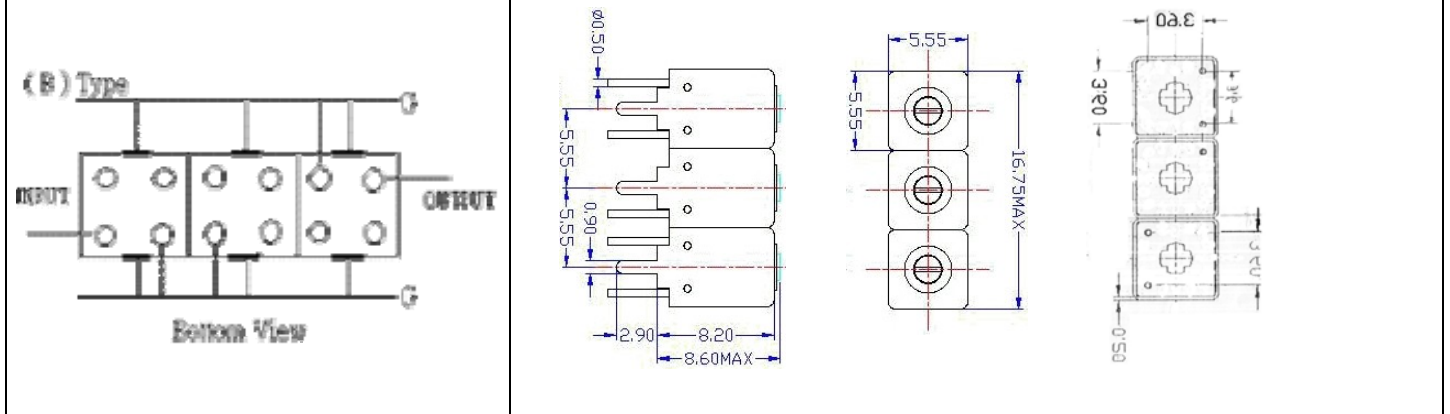


VHF UHF Helical Filter Specification Sheet

Customer Name		Temwell's Part No.	TTW3669B-575M
Approval No. /dated	0510061APR	Acceptable Specify Fo Range	551-600 MHz
Work Instruction No.	0510061DC	Date	Jan.05.2006

(1) Pin Position (2) Size Diagram



(3) Electric Character

Item	Specify	Performance	
Center Freq. (Fo) +/- 0.5 %	575 MHz	575 MHz	
Tunable Range:	575±5 MHz	575±5 MHz	
Insertion Loss	Typ. 3.5 dB	2.50 dB	
-3 dB Bandwidth	Typ. 20 MHz	25.3 MHz	
Sensitivity (Attenuation)	Fo - 50 MHz	Typ. 32 dBc	35 dBc
	Fo + 50 MHz	Typ. 28 dBc	31 dBc
	Fo - ()MHz	Typ. dBc	dBc
	Fo +()MHz	Typ. dBc	dBc
Return Loss	Min. 12 dB	35.5 dB	
Ripple	< 1 dB	dB	
Impedance	In / Out : 50 Ω	In / Out : 50 Ω	

(4) Torque for Tuning Screw > 60gf · cm

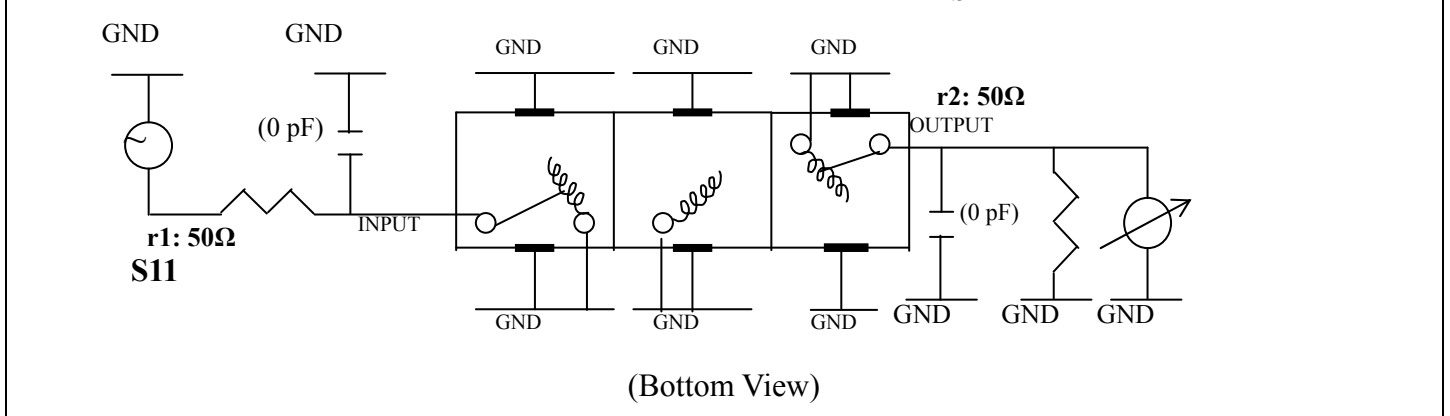
(5) Temperature Condition:

Operating Temperature 0°C ~ +60°C

Storage Temperature -20°C ~ +70°C

(6) Input Power > 0.5Watt

(7)Measuring Circuit: ※Easy to match Impedance S11/S22 50Ω by parallel with about(0pF) / (0pF).



Approval	Supervisor	Designer	Aperture size
C.Y. Chang	C.S. Chang	C.S. Chang	5W3, 3.8*4.5(4.62) 5HW024LB3

TEMWELL CORPORATION

TEMWELL

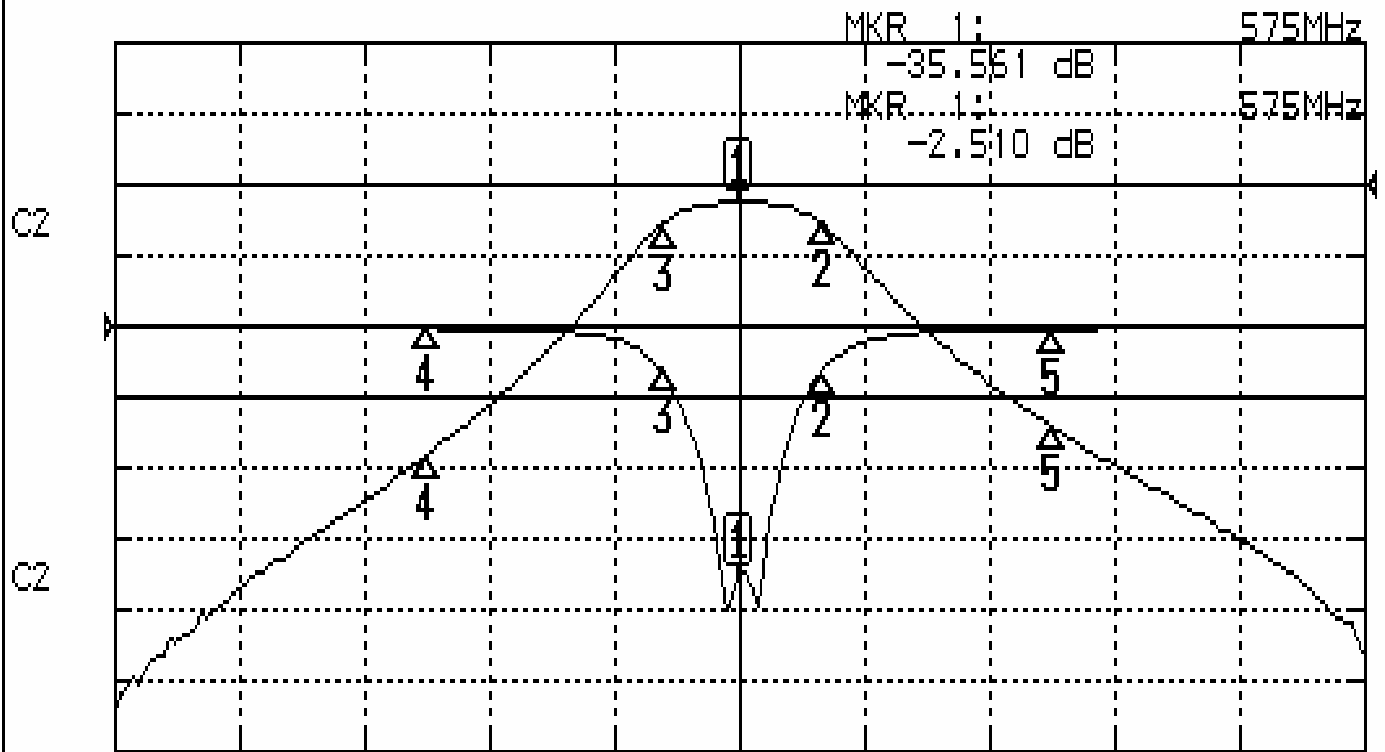
Form10-5W3B Vision D

RP: C.S. Chang

Performance-TTW3669B-575M

0510061DC

CH1 S11 LOG MAG REF 0.000 dB 10.000 dB/
 CH2 S21 LOG MAG REF 0.000 dB 10.000 dB/



CENTER 575MHz

[10.00 dBm]

SPAN 200MHz

CH1 MARKER LIST

1	575.000MHz	-35.561	dB
2	570.166MHz	-16.306	dB
3	572.833MHz	-16.561	dB
4	525.000MHz	-10.277	dB
5	625.000MHz	-0.347	dB

CH2 MARKER LIST

1	575.000MHz	-2.508	dB
2	570.166MHz	-1.508	dB
3	572.833MHz	-1.458	dB
4	525.000MHz	-1.164	dB
5	625.000MHz	-34.099	dB