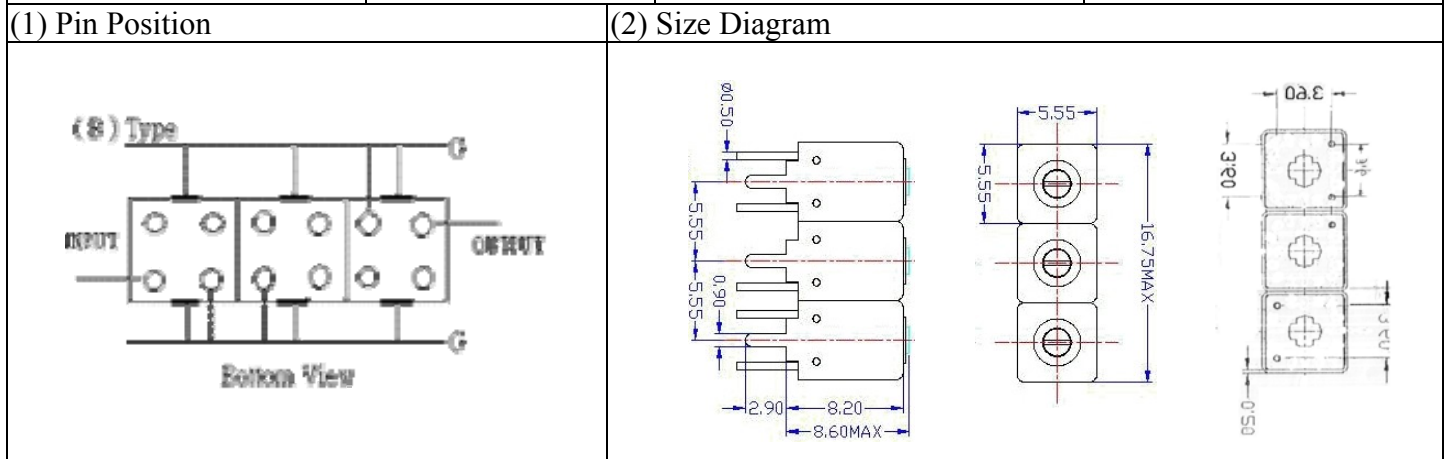


VHF UHF Helical Filter Specification Sheet

Customer Name		Temwell's Part No.	TTW3671B-675M
Approval No. /dated	0510063DC	Acceptable Specify Fo Range	651-700 MHz
Work Instruction No.	0510063DC	Date	Jan.04.2006

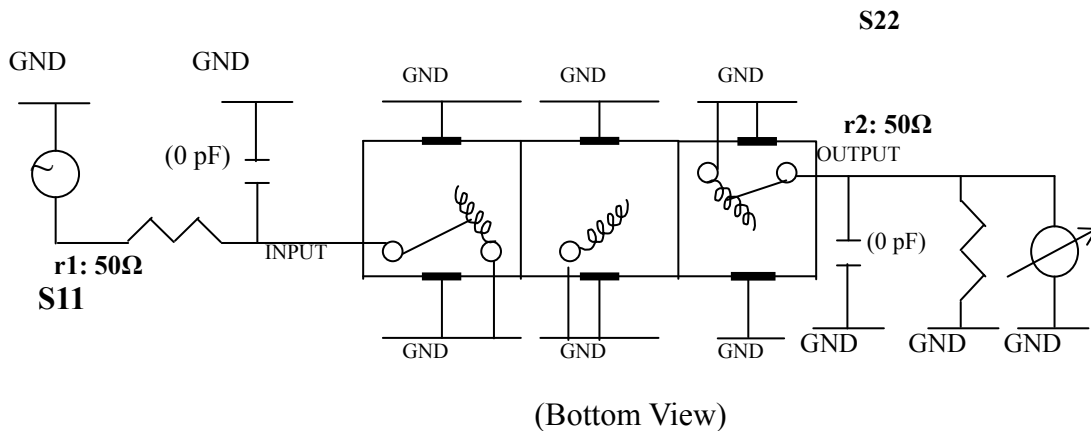


Item		Specify	Performance
Center Freq. (Fo) +/- 0.5 %		675 MHz	675 MHz
Tunable Range:		675±5 MHz	675±5 MHz
Insertion Loss		Typ. 4.0 dB	2.81 dB
-3 dB Bandwidth		Typ. 20 MHz	26.5 MHz
Sensitivity (Attenuation)	Fo - 50 MHz	Typ. 36 dBc	39 dBc
	Fo + 50 MHz	Typ. 26 dBc	29 dBc
	Fo - ()MHz	Typ. dBc	dBc
	Fo + ()MHz	Typ. dBc	dBc
Return Loss		Min. 12 dB	21.5 dB
Ripple		< 1 dB	dB
Impedance		In / Out : 50 Ω	In / Out : 50 Ω
(4) Torque for Tuning Screw		> 60gf · cm	

(5) Temperature Condition:	
Operating Temperature	0°C ~ +60°C
Storage Temperature	-20°C ~ +70°C

(6) Input Power	> 0.5Watt
-----------------	-----------

(7) Measuring Circuit: ※Easy to match Impedance S11/S22 50Ω by parallel with about(0pF) / (0pF).

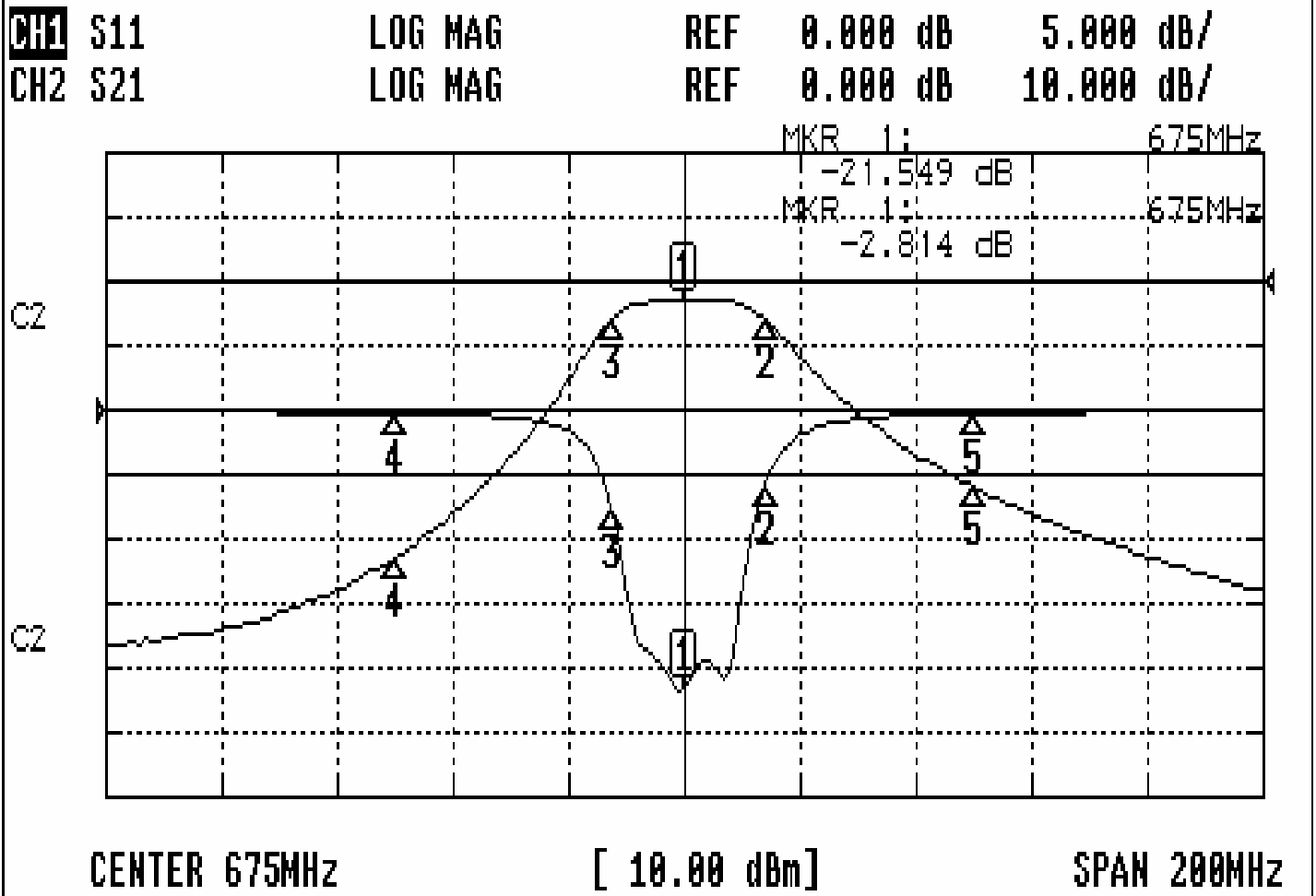


Approval	Supervisor	Designer	Aperture size
C.Y. Chang	C.S. Chang	C.S. Chang	5W3, 3.8*4.0(4.09) 5HW024RB3

TEMWELL CORPORATION

Performance-TTW3671B-675M

0510063DC



CH1 MARKER LIST

1:	675.000MHz	-21.556 dB
2:	689.000MHz	-5.946 dB
3:	662.500MHz	-7.729 dB
4:	625.000MHz	-0.220 dB
5:	725.000MHz	-0.236 dB
6:		
7:		
8:		
9:		
10:		

CH2 MARKER LIST

1:	675.000MHz	-2.814 dB
2:	689.000MHz	-5.902 dB
3:	662.500MHz	-5.829 dB
4:	625.000MHz	-42.729 dB
5:	725.000MHz	-31.914 dB
6:		
7:		
8:		
9:		
10:		