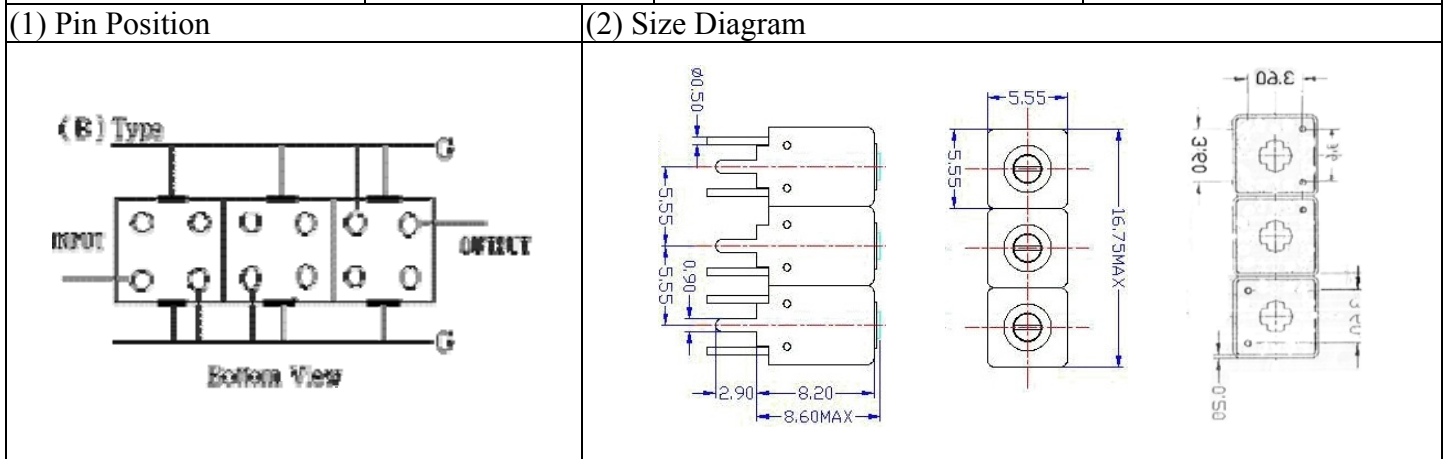


# VHF UHF Helical Filter Specification Sheet

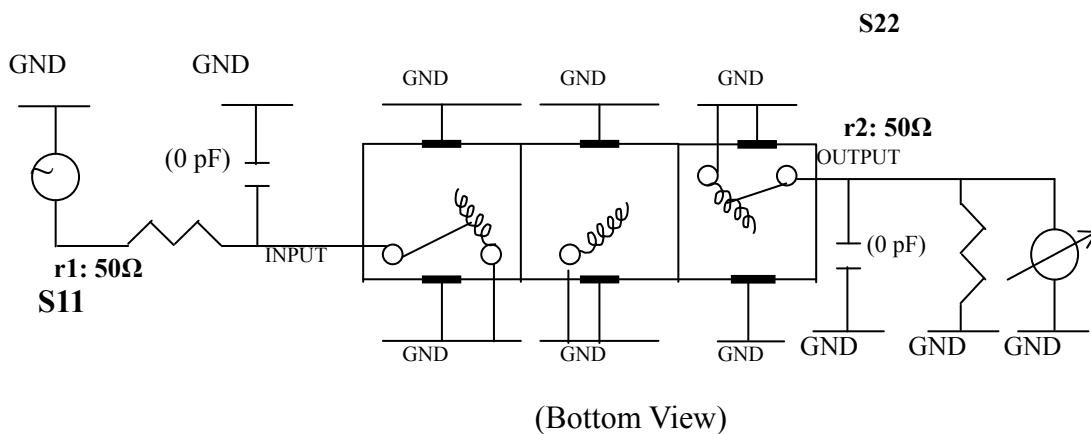
Customer Name		Temwell's Part No.	TTW3672B-775M
Approval No. /dated	0510064APR	Acceptable Specify Fo Range	751-800 MHz
Work Instruction No.	0510064DC	Date	Jan.04.2006



Item		Specify		Performance	
Center Freq.(Fo ) +/- 0.5 %		775	MHz	775	MHz
Tunable Range:		775±5	MHz	775±5	MHz
Insertion Loss		Typ. 3.5	dB	2.58	dB
-3 dB Bandwidth		Typ. 20	MHz	28.3	MHz
Sensitivity (Attenuation)	Fo - 50 MHz	Typ. 34	dBc	37	dBc
	Fo + 50 MHz	Typ. 24	dBc	27	dBc
	Fo - ( )MHz	Typ.	dBc		dBc
	Fo + ( )MHz	Typ.	dBc		dBc
Return Loss		Min. 12	dB	21.1	dB
Ripple		< 1	dB		dB
Impedance		In / Out : 50 Ω		In / Out : 50 Ω	

(4) Torque for Tuning Screw		> 60gf · cm
(5) Temperature Condition:		
Operating Temperature	0°C ~ +60°C	
Storage Temperature	-20°C ~ +70°C	
(6) Input Power	> 0.5Watt	

(7) Measuring Circuit: ※Easy to match Impedance S11/S22 50Ω by parallel with about(0pF) / (0pF).



Approval	Supervisor	Designer	Aperture size
C.Y. Chang	C.S. Chang	C.S. Chang	5W3, 3.8*4.0(4.12) 5HW024RB3

TEMWELL CORPORATION

TEMWELL

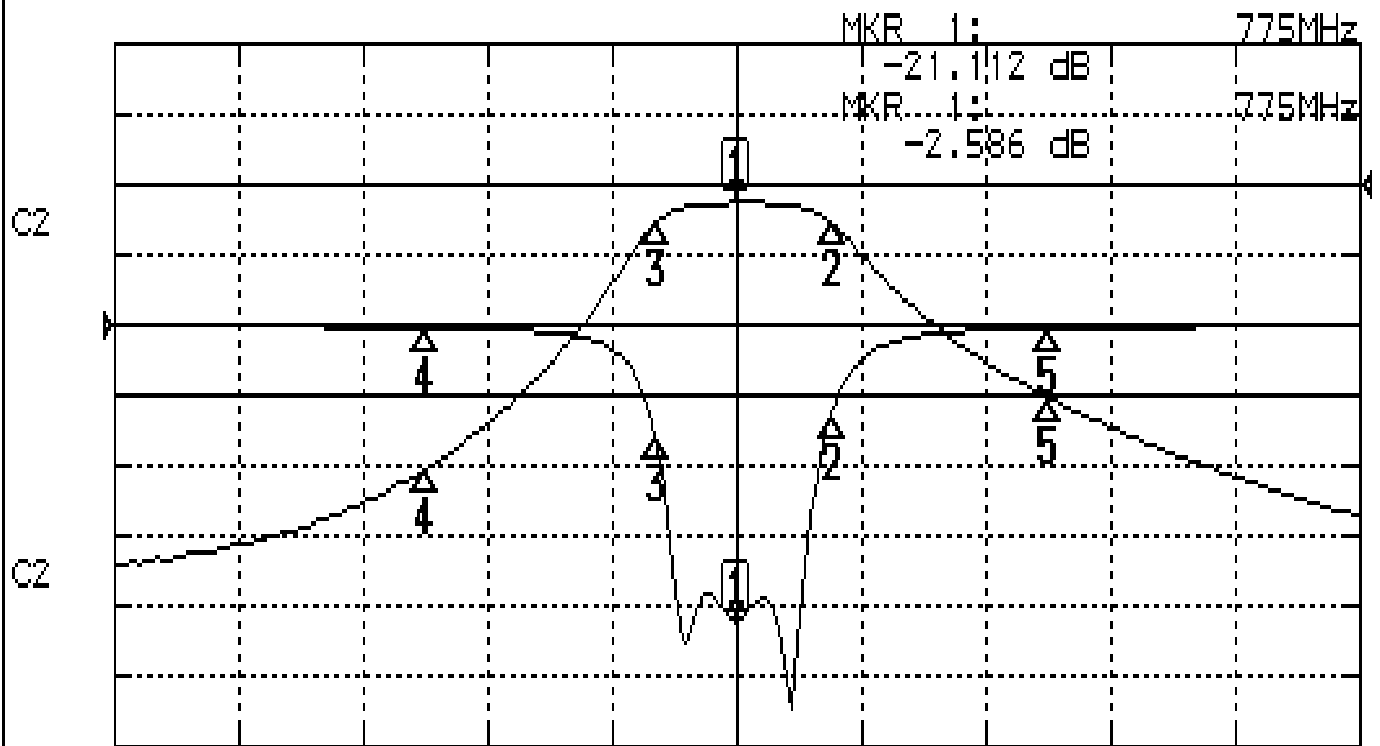
Form10-5W3B Vision D

RP: C.S. Chang

# Performance-TTW3672B-775M

## 0510064DC

CH1 S11 LOG MAG REF 0.000 dB 5.000 dB/  
CH2 S21 LOG MAG REF 0.000 dB 10.000 dB/



CENTER 775MHz

[ 10.00 dBm ]

SPAN 200MHz

### CH1 MARKER LIST

1:	775.000MHz	-21.102 dB
2:	790.333MHz	-6.381 dB
3:	762.000MHz	-7.952 dB
4:	725.000MHz	-0.206 dB
5:	825.000MHz	-0.240 dB

### CH2 MARKER LIST

1:	775.000MHz	-2.586 dB
2:	790.333MHz	-5.541 dB
3:	762.000MHz	-5.535 dB
4:	725.000MHz	-40.400 dB
5:	825.000MHz	-30.342 dB