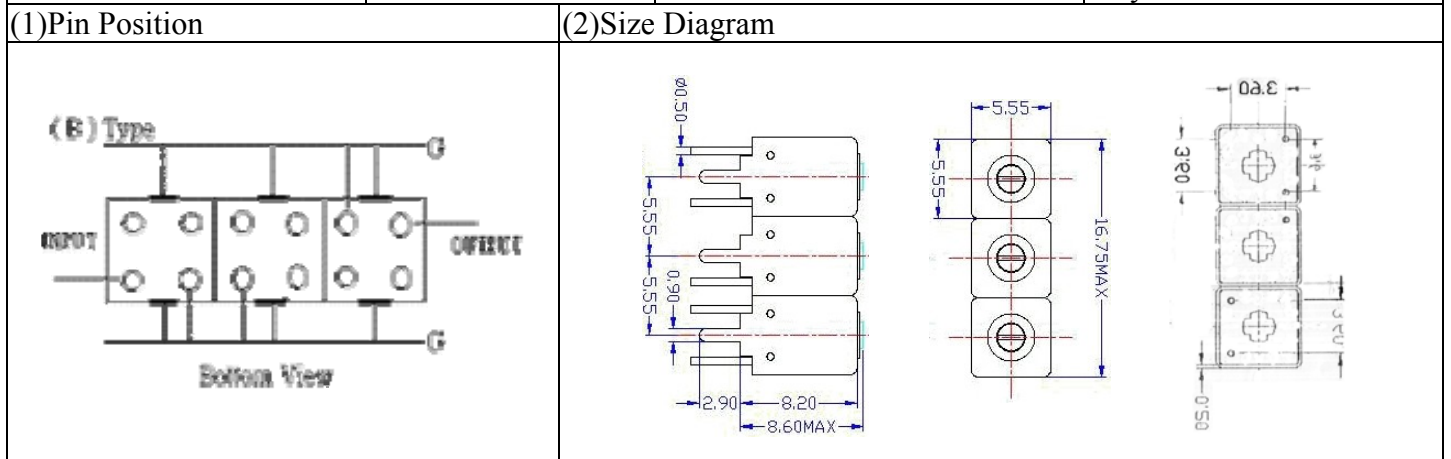


VHF UHF Helical Filter Specification Sheet

Customer Name		Temwell's Part No.	TTW3679B-325M
Approval No. /dated	0510071DC	Acceptable Specify Fo Range.	301~350 MHZ
Work Instruction No.	0510071DC	Date	May.12.2006



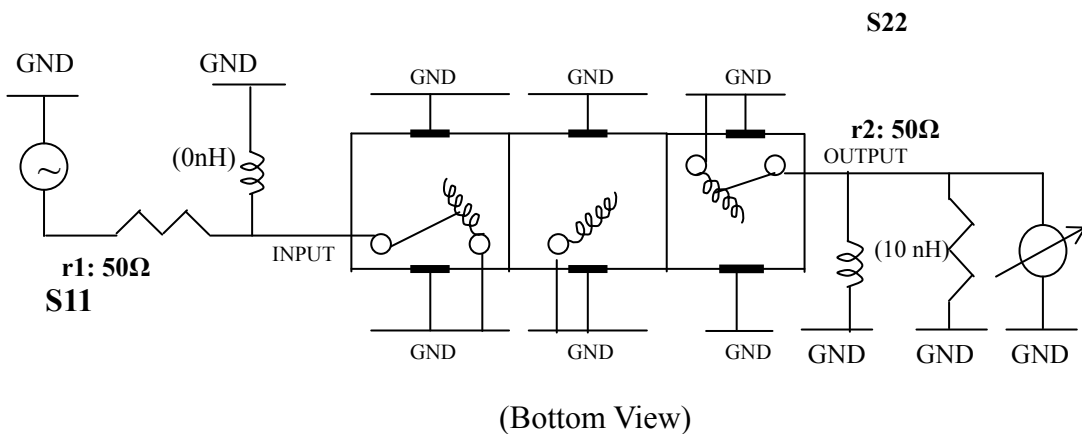
Item		Specify		Performance	
Center Freq.(Fo) +/- 0.5 %		325	MHZ	325	MHZ
Tunable Range:		325±4	MHZ	325±4	MHZ
Insertion Loss		Typ. 3.5	dB	2.46	dB
-3 dB Bandwidth		Typ. 22	MHZ	25.3	MHZ
Sensitivity (Attenuation)	Fo - 50 MHz	Typ. 44	dBc	47	dBc
	Fo + 50 MHz	Typ. 33	dBc	36	dBc
	Fo - ()MHz	Typ.	dBc		dBc
	Fo + ()MHz	Typ.	dBc		dBc
Return Loss		Min. 12	dB	27.8	dB
Ripple		< 1	dB		dB
Impedance		In / Out : 50 Ω		In / Out : 50 Ω	

(4) Torque for Tuning Screw > 60gf · cm

(5) Temperature Condition:	
Operating Temperature	0°C ~ +60°C
Storage Temperature	-20°C ~ +70°C

(6) Input Power > 0.5Watt

(7) Measuring Circuit: ※Easy to match Impedance S11/S22 50Ω/ by parallel with about(0nH) / (10nH).



Approval	Supervisor	Designer	Aperture size
C.Y. Chang	C.S. Chang	W.W. Wang	5W3S(3.8*5.1) 5HW00LB3

TEMWELL CORPORATION

TEMWELL

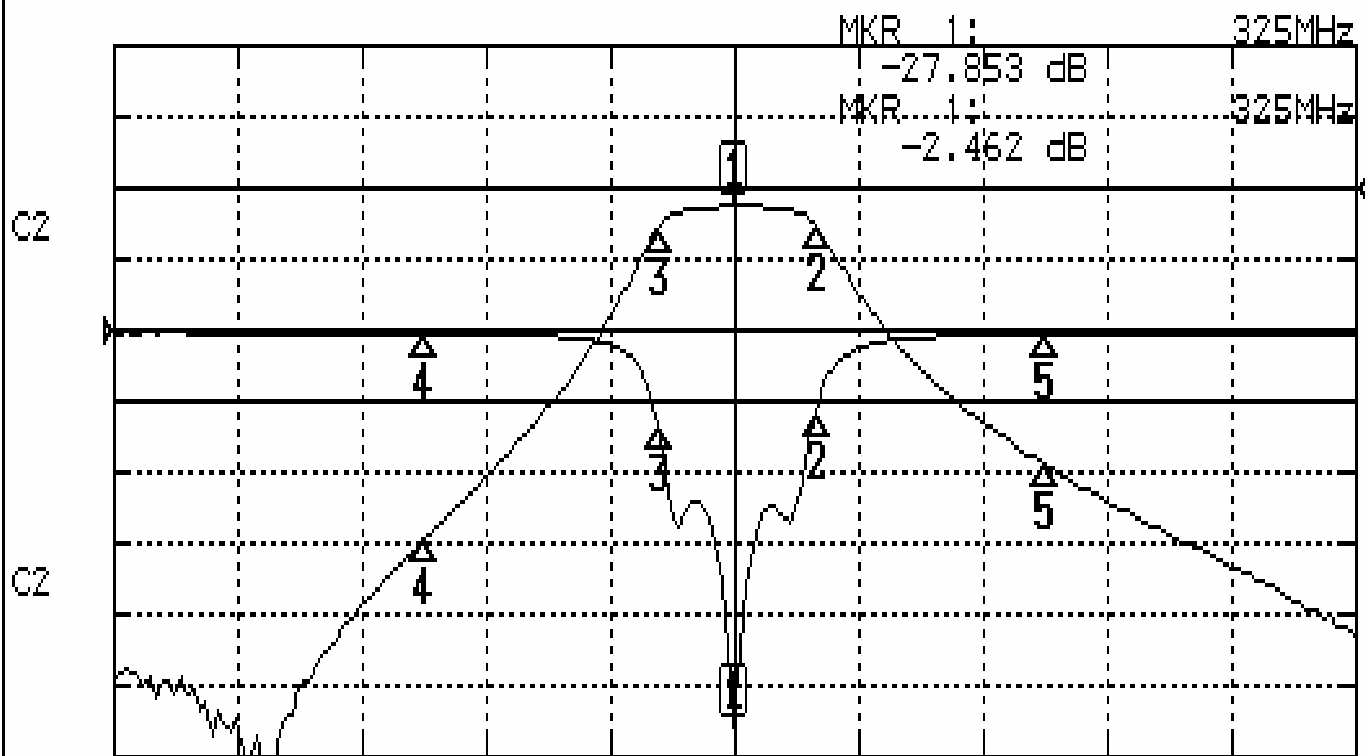
Form10-5W3B Vision D

RP W.W. Wang

Performance-TTW3679B-325M

0510071DC

CH1 S11 LOG MAG REF 0.000 dB 5.000 dB/
CH2 S21 LOG MAG REF 0.000 dB 10.000 dB/



CENTER 325MHz

[10.00 dBm]

SPAN 200MHz

CH1 MARKER LIST

1	325.000MHz	-27.853 dB
2	338.166MHz	-15.730 dB
3	312.833MHz	-16.968 dB
4	275.000MHz	-0.213 dB
5	375.000MHz	-0.292 dB

CH2 MARKER LIST

1	325.000MHz	-2.462 dB
2	338.166MHz	-1.512 dB
3	312.833MHz	-1.545 dB
4	275.000MHz	-14.629 dB
5	375.000MHz	-39.013 dB