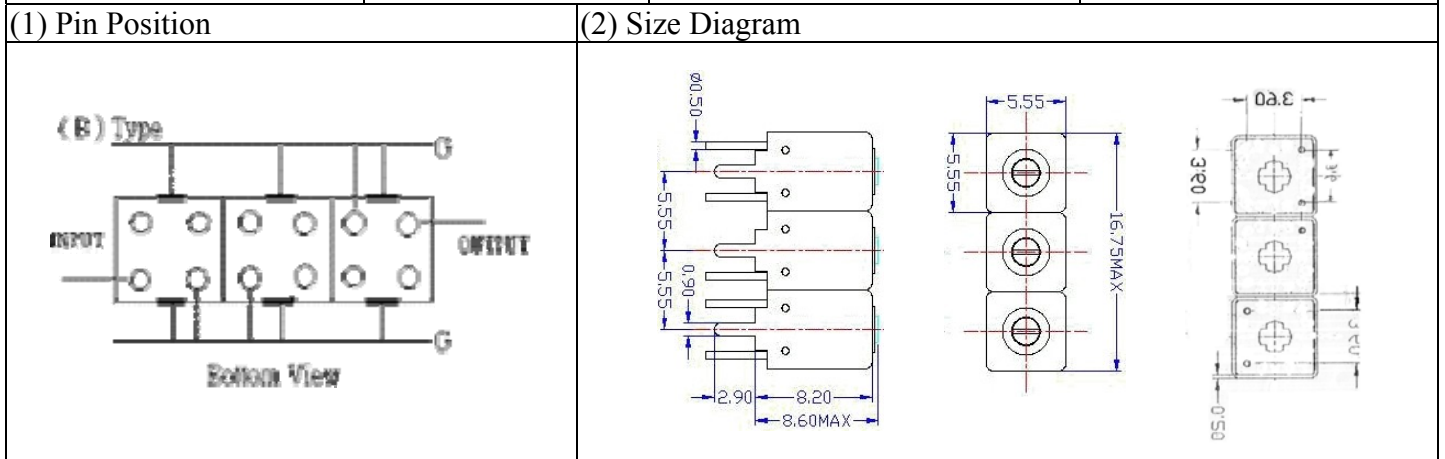


VHF UHF Helical Filter Specification Sheet

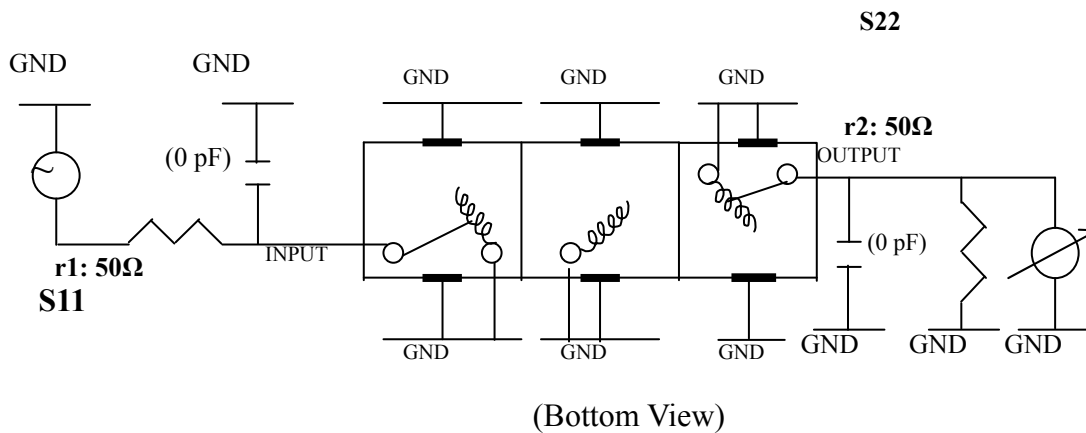
Customer Name		Temwell's Part No.	TTW3680B-375M
Approval No. /dated	0510072DC	Acceptable Specify Fo Range	351-400 MHz
Work Instruction No.	0510072DC	Date	Jan.09.2006



(3) Electric Character			
Item	Specify		Performance
Center Freq. (Fo) +/- 0.5 %	375	MHz	375 MHz
Tunable Range:	375±4	MHz	375±4 MHz
Insertion Loss	Typ. 4.0	dB	3.30 dB
-3 dB Bandwidth	Typ. 25	MHz	27.8 MHz
Sensitivity (Attenuation)	Fo - 50 MHz	Typ. 35 dBc	38 dBc
	Fo + 50 MHz	Typ. 26 dBc	29 dBc
	Fo - ()MHz	Typ. dBc	dBc
	Fo +()MHz	Typ. dBc	dBc
Return Loss	Min. 12	dB	23.5 dB
Ripple	< 1	dB	dB
Impedance	In / Out : 50 Ω		In / Out : 50 Ω

(4) Torque for Tuning Screw	> 60gf · cm
(5) Temperature Condition:	
Operating Temperature	0°C ~ +60°C
Storage Temperature	-20°C ~ +70°C
(6) Input Power	> 0.5Watt

(7) Measuring Circuit: ※Easy to match Impedance S11/S22 50Ω by parallel with about(0pF) / (0pF).

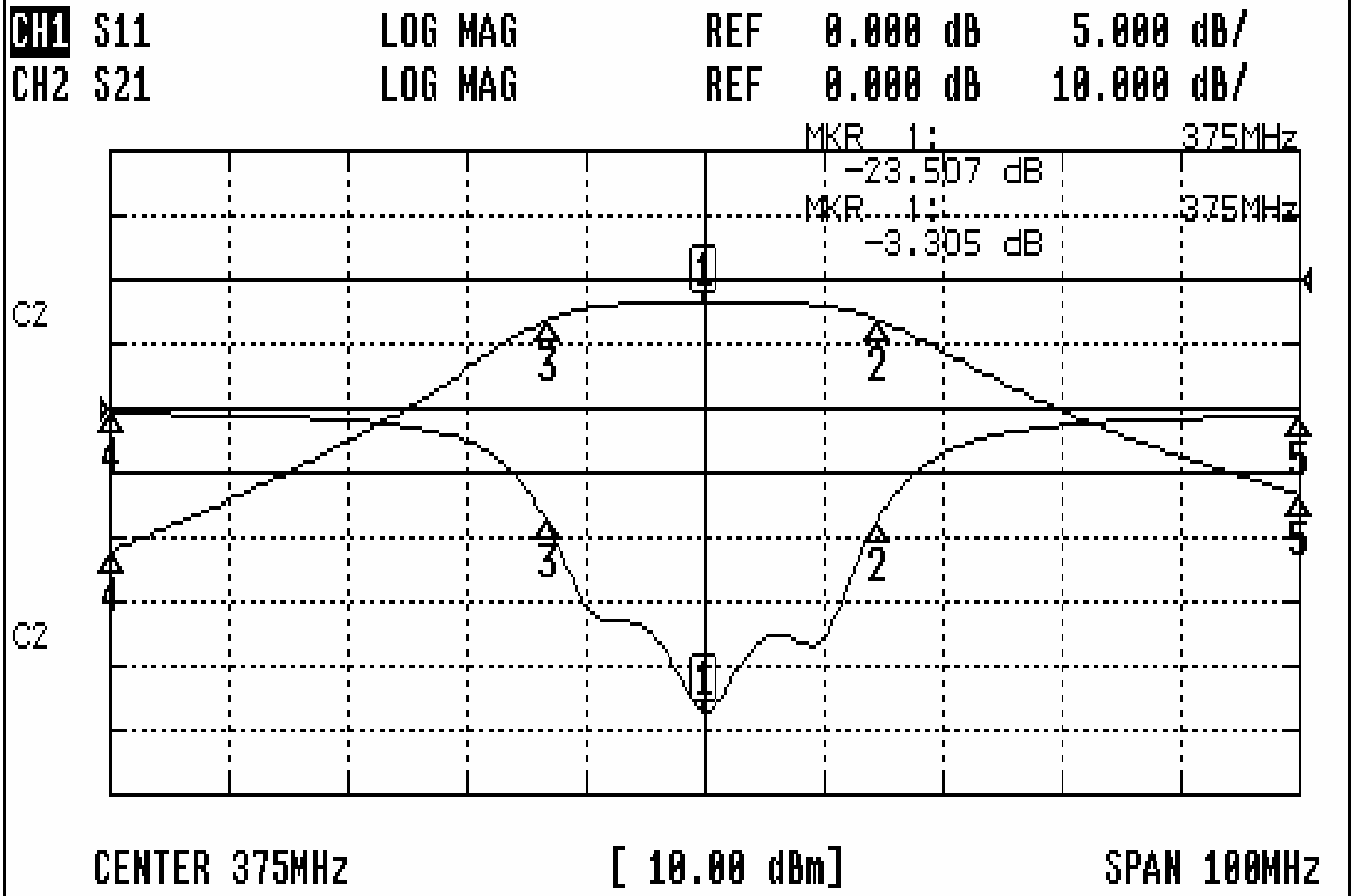


Approval	Supervisor	Designer	Aperture size
C.Y. Chang	C.S. Chang	C.S. Chang	5W3, 3.8*5.1(5.12) 5HW00LB3

TEMWELL CORPORATION

Performance-TTW3680B-375M

0510072DC



CH1 MARKER LIST

1	375.000MHz	-23.507	dB
2	389.583MHz	-8.706	dB
3	361.750MHz	-8.795	dB
4	325.000MHz	-0.384	dB
5	425.000MHz	-0.557	dB

CH2 MARKER LIST

1	375.000MHz	-3.304	dB
2	389.583MHz	-6.256	dB
3	361.750MHz	-6.295	dB
4	325.000MHz	-42.086	dB
5	425.000MHz	-33.228	dB