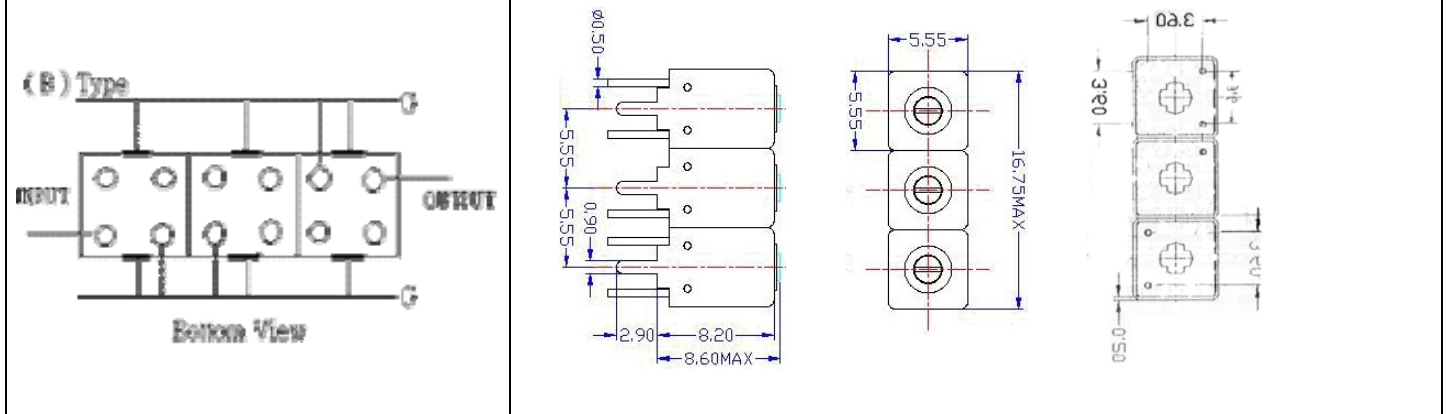


VHF UHF Helical Filter Specification Sheet

Customer Name		Temwell's Part No.	TTW3681B-425M
Approval No. /dated	0510073DC	Acceptable Specify Fo Range	401-450 MHz
Work Instruction No.	0510073DC	Date	Jan.06.2006

(1) Pin Position (2) Size Diagram



(3) Electric Character

Item	Specify	Performance
Center Freq.(Fo) +/- 0.5 %	425 MHz	425 MHz
Tunable Range:	425±5 MHz	425±5 MHz
Insertion Loss	Typ. 4.0 dB	2.76 dB
-3 dB Bandwidth	Typ. 23 MHz	26.5 MHz
Sensitivity (Attenuation)	Fo - 50 MHz	Typ. 34 dBc
	Fo + 50 MHz	Typ. 25 dBc
	Fo - ()MHz	Typ. dBc
	Fo +()MHz	Typ. dBc
Return Loss	Min. 12 dB	23.3 dB
Ripple	< 1 dB	dB
Impedance	In / Out : 50 Ω	In / Out : 50 Ω

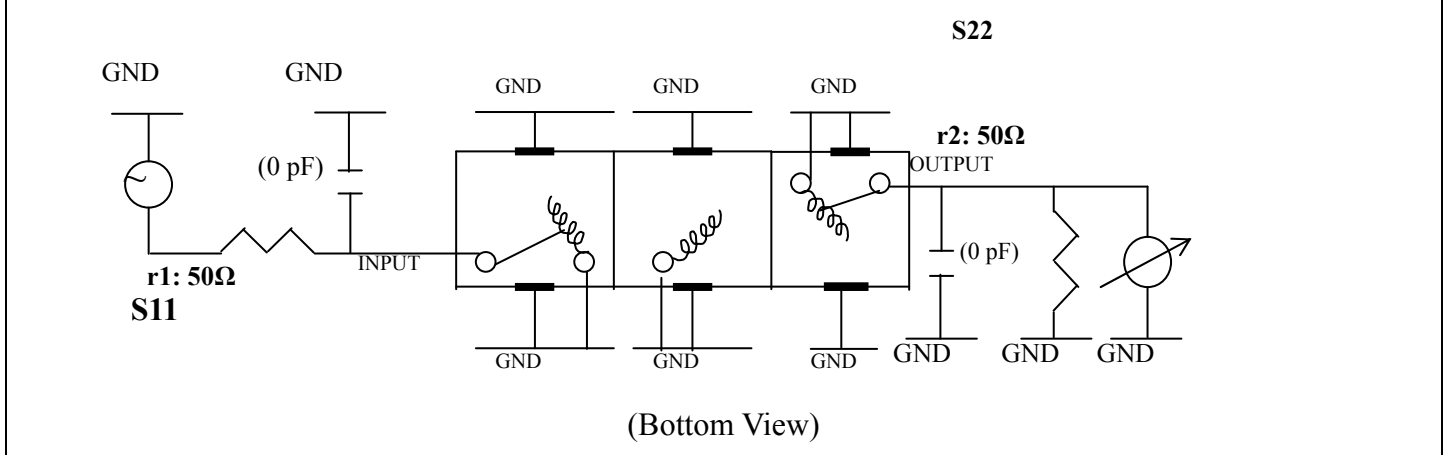
(4) Torque for Tuning Screw > 60gf · cm

(5) Temperature Condition:

Operating Temperature	0°C ~ +60°C
Storage Temperature	-20°C ~ +70°C

(6) Input Power > 0.5Watt

(7)Measuring Circuit: ※Easy to match Impedance S11/S22 50Ω by parallel with about(0pF) / (0pF).



Approval	Supervisor	Designer	Aperture size
C.Y. Chang	C.S. Chang	C.S. Chang	5W3, 3.8*5.1(5.12) 5HW024LB3

TEMWELL CORPORATION

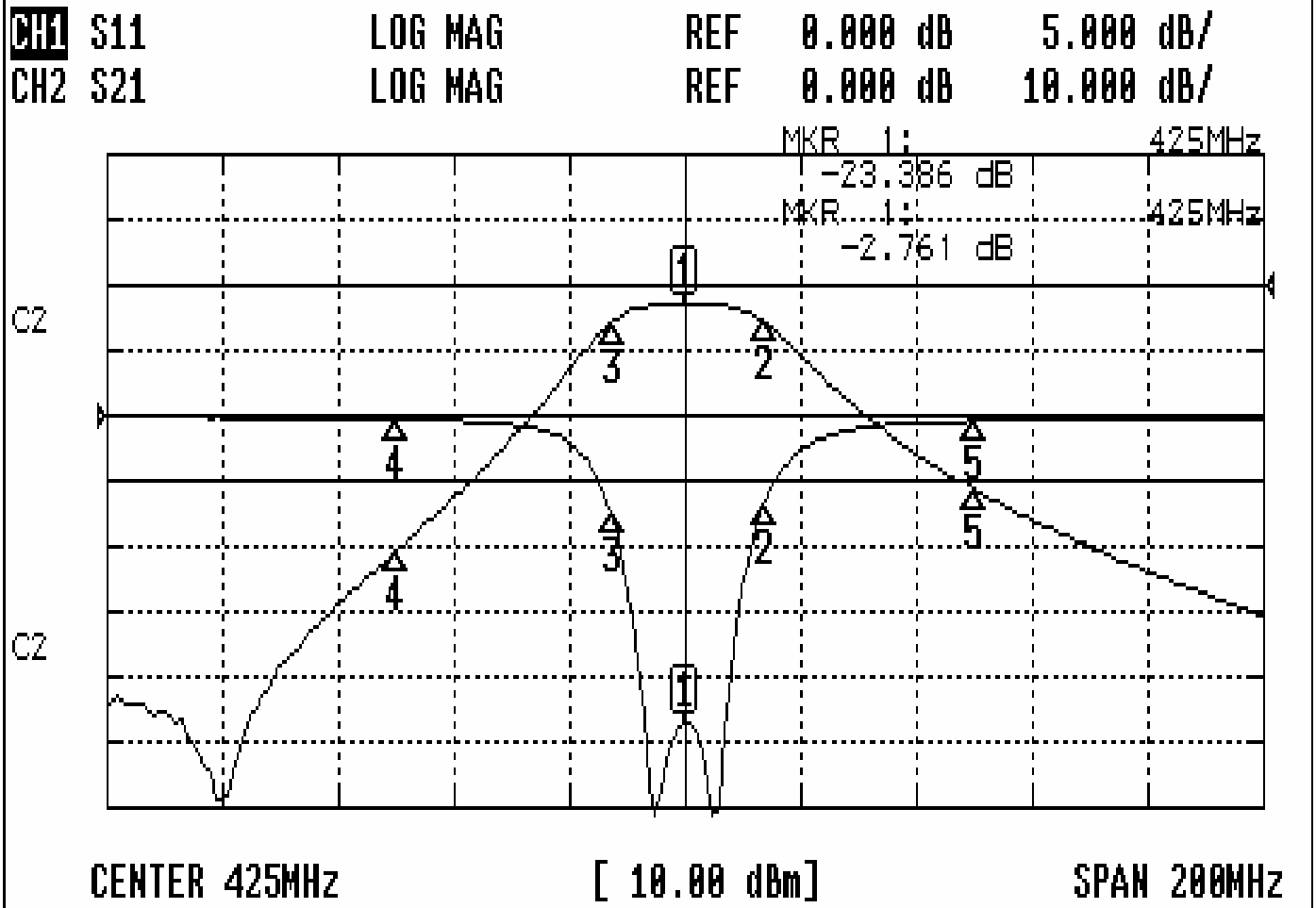
TEMWELL

Form10-5W3B Vision D

RP: C.S. Chang

Performance-TTW3681B-425M

0510073DC



CH1 MARKER LIST

1:	425.000MHz	-23.386 dB
2:	438.833MHz	-6.743 dB
3:	412.333MHz	-7.585 dB
4:	375.000MHz	-0.274 dB
5:	475.000MHz	-0.421 dB

CH2 MARKER LIST

1:	425.000MHz	-2.761 dB
2:	438.833MHz	-5.719 dB
3:	412.333MHz	-5.735 dB
4:	375.000MHz	-40.860 dB
5:	475.000MHz	-31.274 dB