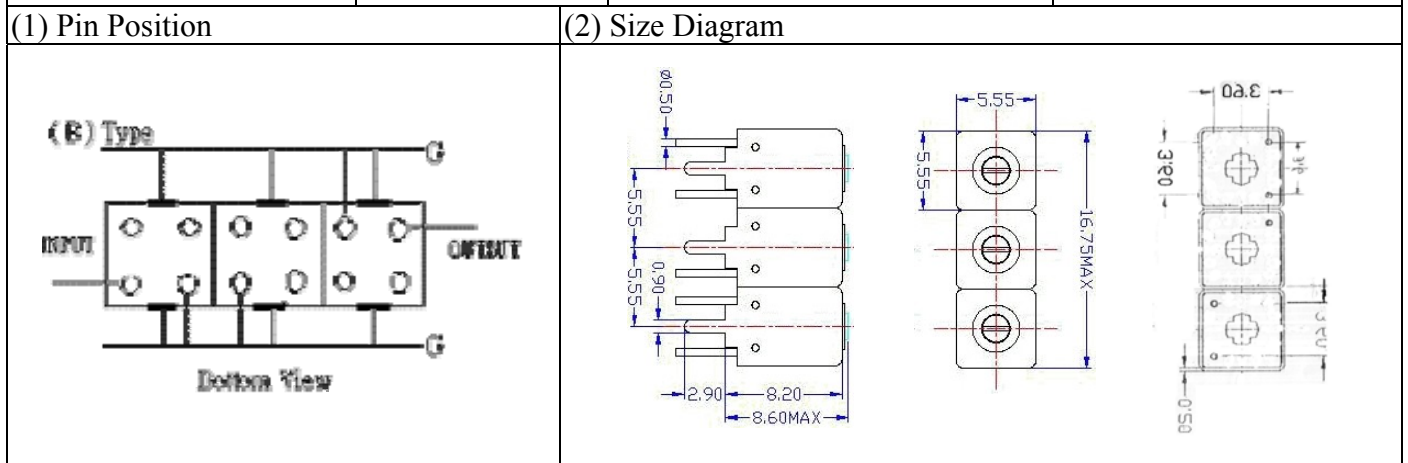
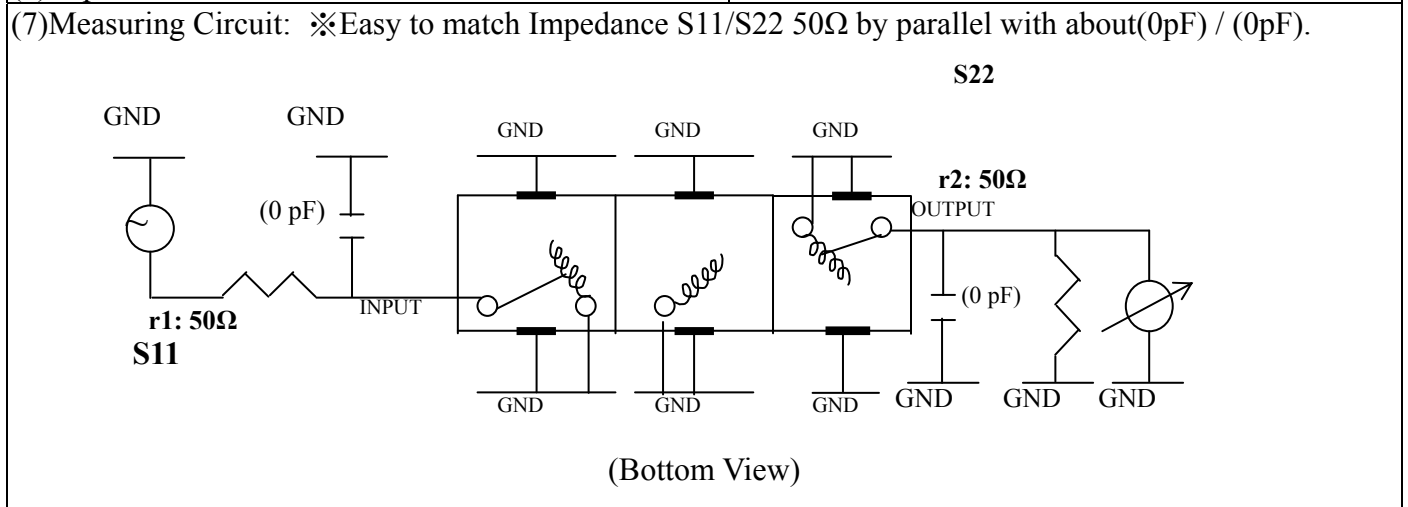


VHF UHF Helical Filter Specification Sheet

Customer Name		Temwell's Part No.	TTW3692B-475M
Approval No. /dated	0510084DC	Acceptable Specify Fo Range	451-500 MHz
Work Instruction No.	0510084DC	Date	Jan.05.2006



(3) Electric Character			
Item	Specify	Performance	
Center Freq. (Fo) +/- 0.5 %	475 MHz	475 MHz	
Tunable Range:	475±5 MHz	475±5 MHz	
Insertion Loss	Typ. 4.0 dB	3.18 dB	
-3 dB Bandwidth	Typ. 28 MHz	32.0 MHz	
Sensitivity (Attenuation)	Fo - 50 MHz	Typ. 32 dBc	35 dBc
	Fo + 50 MHz	Typ. 23 dBc	26 dBc
	Fo - ()MHz	Typ. dBc	dBc
	Fo +()MHz	Typ. dBc	dBc
Return Loss	Min. 12 dB	23.2 dB	
Ripple	< 1 dB	dB	
Impedance	In / Out : 50 Ω	In / Out : 50 Ω	
(4) Torque for Tuning Screw	> 60gf • cm		
(5) Temperature Condition:			
Operating Temperature	0°C ~ +60°C		
Storage Temperature	-20°C ~ +70°C		
(6) Input Power	> 0.5Watt		

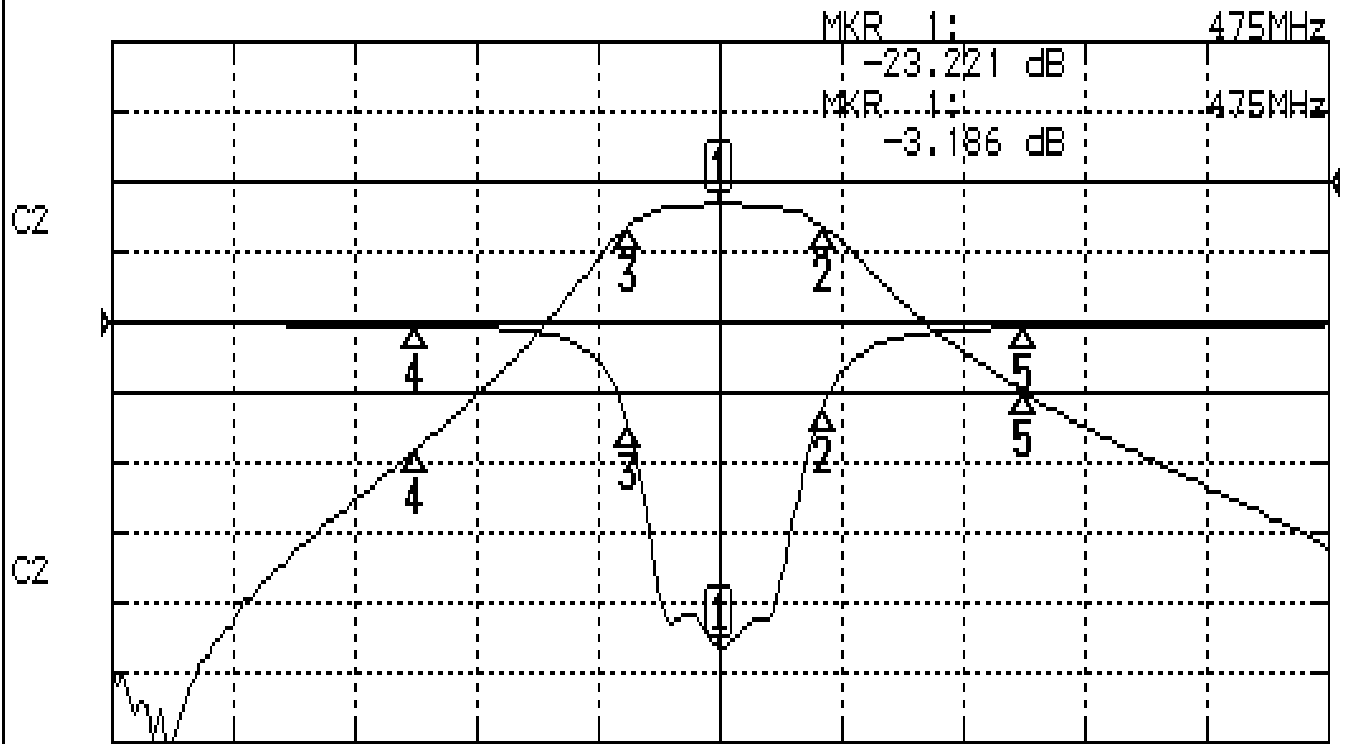


Approval	Supervisor	Designer	Aperture size
C.Y. Chang	C.S. Chang	C.S. Chang	5W3, 3.8*5.1 (5.11) 5HW024LB3

Performance-TTW3692B-475M

0510084DC

CH1 S11 LOG MAG REF 0.000 dB 5.000 dB/
CH2 S21 LOG MAG REF 0.000 dB 10.000 dB/



CENTER 475MHz

[10.00 dBm]

SPAN 200MHz

CH1 MARKER LIST

1:	475.000MHz	-23.221	dB
2:	492.000MHz	-6.104	dB
3:	460.000MHz	-7.269	dB
4:	425.000MHz	-0.236	dB
5:	525.000MHz	-0.366	dB

CH2 MARKER LIST

1:	475.000MHz	-3.186	dB
2:	492.000MHz	-16.250	dB
3:	460.000MHz	-16.218	dB
4:	425.000MHz	-30.234	dB
5:	525.000MHz	-30.078	dB