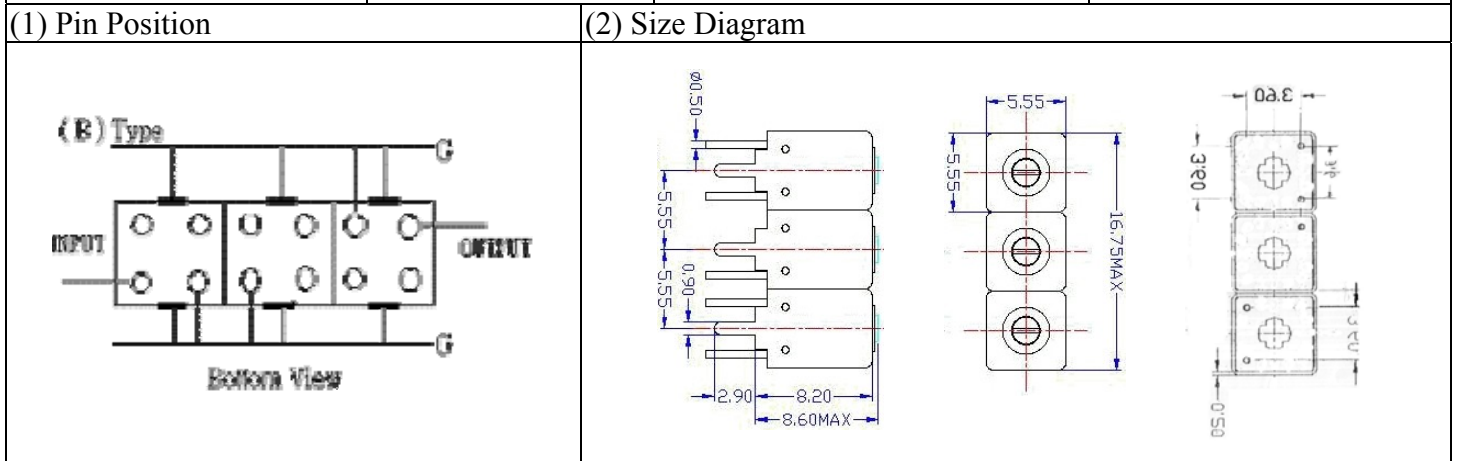


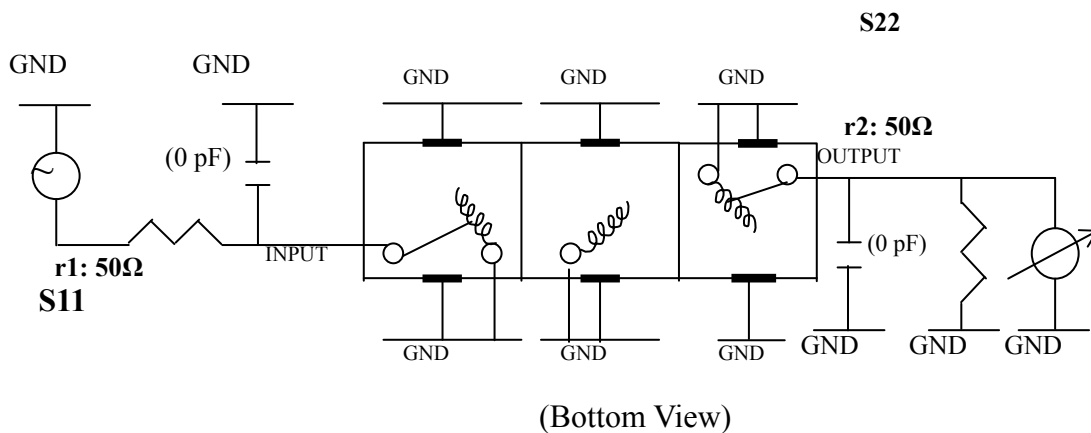
VHF UHF Helical Filter Specification Sheet

Customer Name		Temwell's Part No.	TTW3693B-525M
Approval No. /dated	0510085DC	Acceptable Specify Fo Range	501-550 MHz
Work Instruction No.	0510085DC	Date	Jan.05.2006



(3) Electric Character					
Item		Specify		Performance	
Center Freq. (Fo) +/- 0.5 %		525 MHz		525 MHz	
Tunable Range:		525±5 MHz		525±5 MHz	
Insertion Loss		Typ. 4.0 dB		2.98 dB	
-3 dB Bandwidth		Typ. 30 MHz		33.9 MHz	
Sensitivity (Attenuation)	Fo - 50 MHz	Typ. 30 dBc		33 dBc	
	Fo + 50 MHz	Typ. 24 dBc		27 dBc	
	Fo - ()MHz	Typ. dBc		dBc	
	Fo +()MHz	Typ. dBc		dBc	
Return Loss		Min. 12 dB		21.3 dB	
Ripple		< 1 dB		dB	
Impedance		In / Out : 50 Ω		In / Out : 50 Ω	
(4) Torque for Tuning Screw		> 60gf · cm			
(5) Temperature Condition:					
Operating Temperature		0°C ~ +60°C			
Storage Temperature		-20°C ~ +70°C			
(6) Input Power		> 0.5Watt			

(7) Measuring Circuit: ※Easy to match Impedance S11/S22 50Ω by parallel with about(0pF) / (0pF).



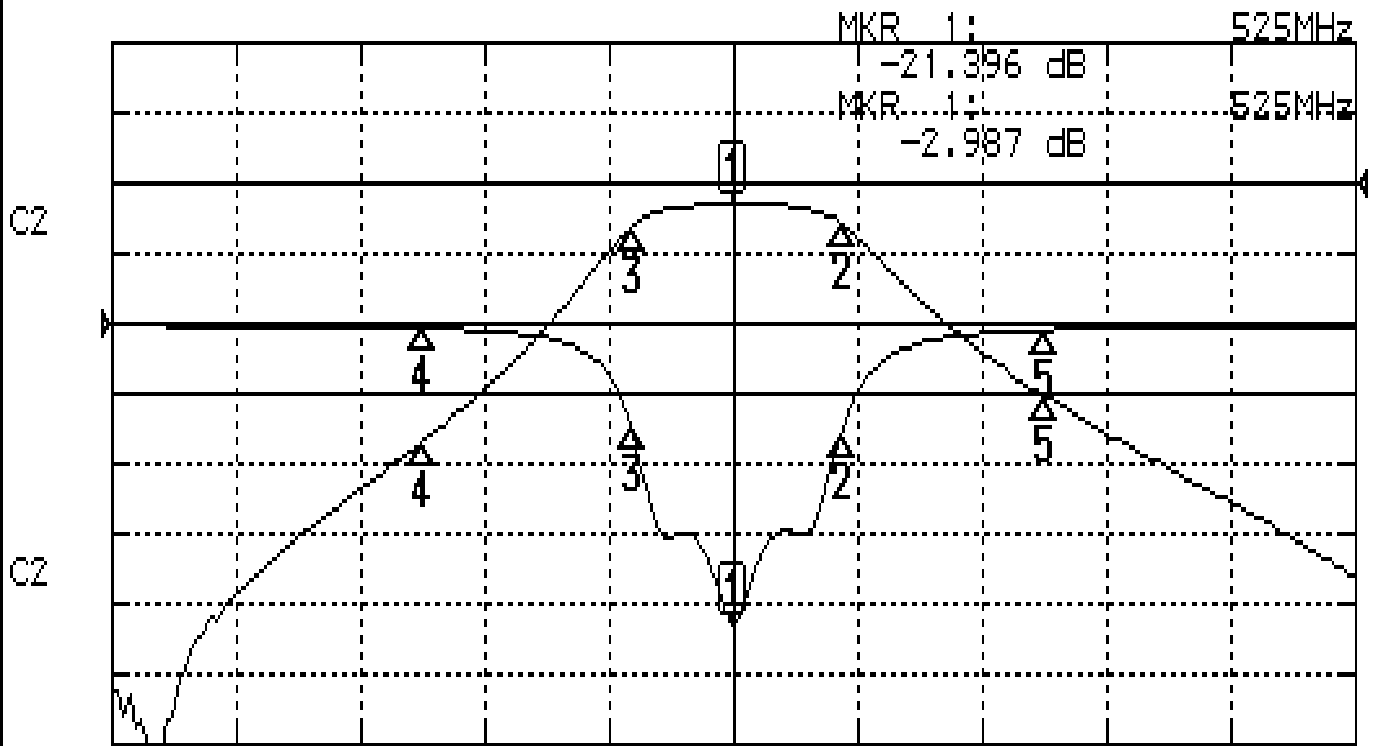
Approval	Supervisor	Designer	Aperture size
C.Y. Chang	C.S. Chang	C.S. Chang	5W3, 3.8*5.1 (5.12) 5HW024LB3

TEMWELL CORPORATION

Performance-TTW3693B-525M

0510085DC

CH1 S11 LOG MAG REF 0.000 dB 5.000 dB/
 CH2 S21 LOG MAG REF 0.000 dB 10.000 dB/



CENTER 525MHz

[10.00 dBm]

SPAN 200MHz

CH1 MARKER LIST

1	525.000MHz	-21.396	dB
2	542.500MHz	-7.721	dB
3	508.666MHz	-7.440	dB
4	475.000MHz	-0.327	dB
5	575.000MHz	-0.461	dB

CH2 MARKER LIST

1	525.000MHz	-2.987	dB
2	542.500MHz	-1.111	dB
3	508.666MHz	-1.273	dB
4	475.000MHz	-1.773	dB
5	575.000MHz	-0.330	dB