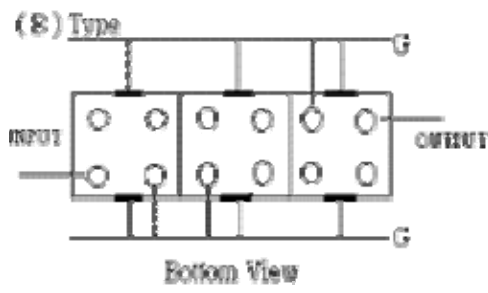
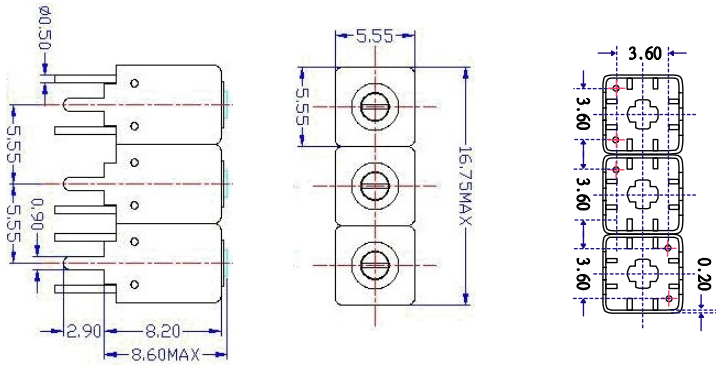
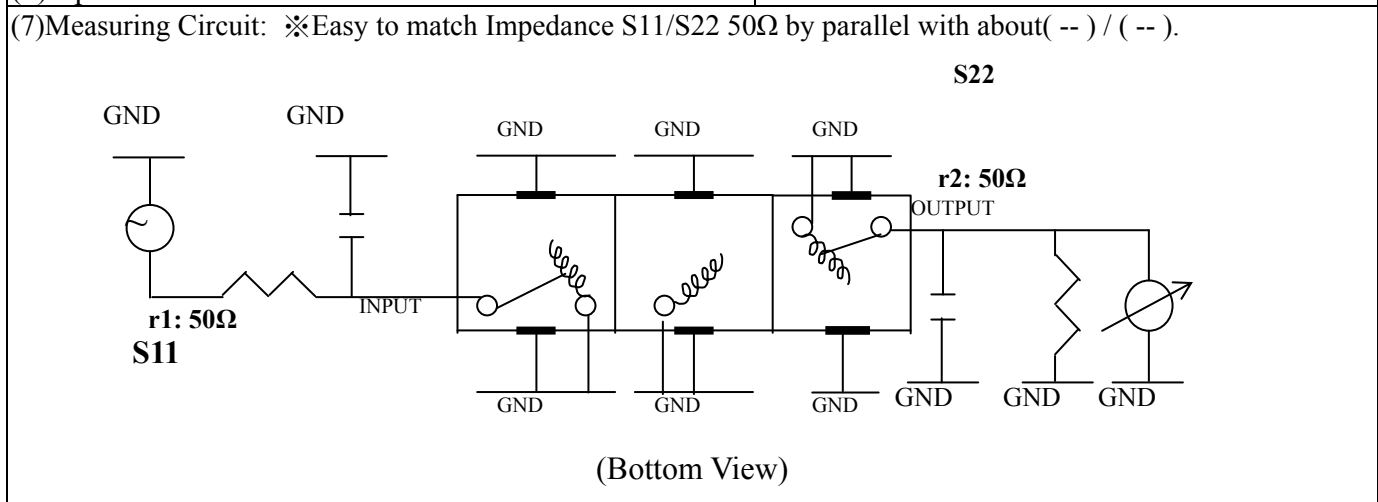


# VHF UHF Helical Filter Specification Sheet

Customer Name		Temwell's Part No.	TTW3759B-1275M
Approval No. /dated	201407112CD	Temwell's Print Name.	3759B 1275M
Work Instruction No.	201407112CD	Date	Nov.07.2014

(1) Pin Position	(2) Size Diagram
 <p>(B) Type Bottom View</p>	

(3) Electric Character			
Item	Specify	Performance	
Center Freq.(Fo) +/- 0.5 %	1275 MHz	1275 MHz	
Insertion Loss	Typ. 2.5 dB	1.67 dB	
-3 dB Bandwidth	Typ. 65 MHz	76.4 MHz	
Sensitivity (Attenuation)	Fo - 200 MHz	Typ. 47 dBc	52 dBc
	Fo + 200 MHz	Typ. 33 dBc	38 dBc
	Fo - ( )MHz	Typ. dBc	dBc
	Fo +( )MHz	Typ. dBc	dBc
Return Loss	Min. 12 dB	21.5 dB	
Ripple	< 1 dB	dB	
Impedance	In / Out : 50 Ω	In / Out : 50 Ω	
(4) Torque for Tuning Screw	> 60gf · cm		
(5) Temperature Condition:			
Operating Temperature	0°C ~ +60°C		
Storage Temperature	-20°C ~ +70°C		
(6) Input Power	> 0.5Watt		



Approval	Supervisor	Designer	Aperture size
C.Y.Chang	C.K.Chang	F.L.Lai	5W3S(3.8*4.5)(4.54) 5HW046RB3.2

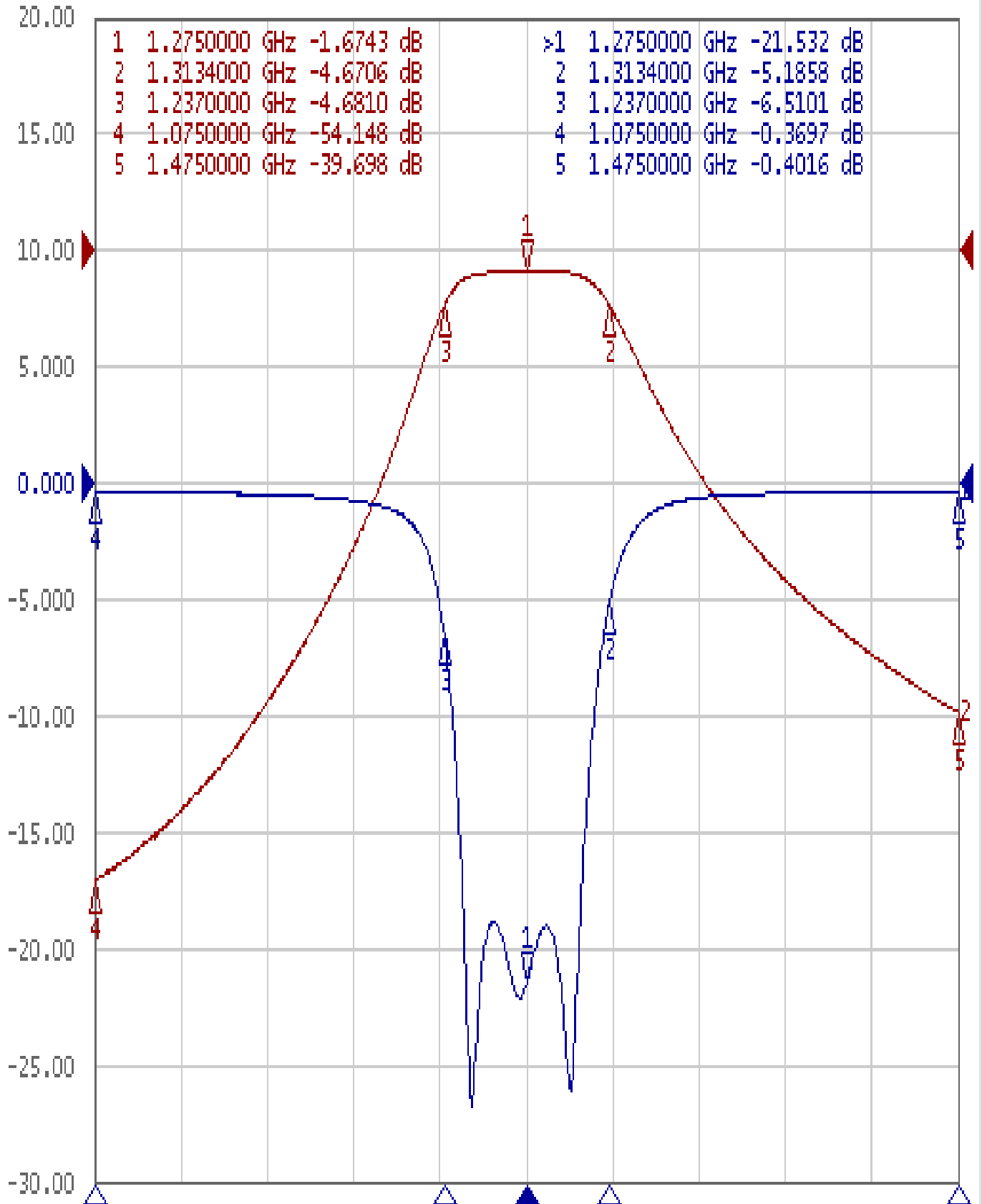
TEMWELL CORPORATION

# Performance-TTW3759B-1275M

## 201407112CD

▶ Tr1 S11 Log Mag 5.000dB/ Ref 0.000dB [F2]

Tr2 S21 Log Mag 10.000dB/ Ref 0.000dB [F2]



1 Center 1.275 GHz

IFBW 10 kHz

Span 400 MHz

Cor