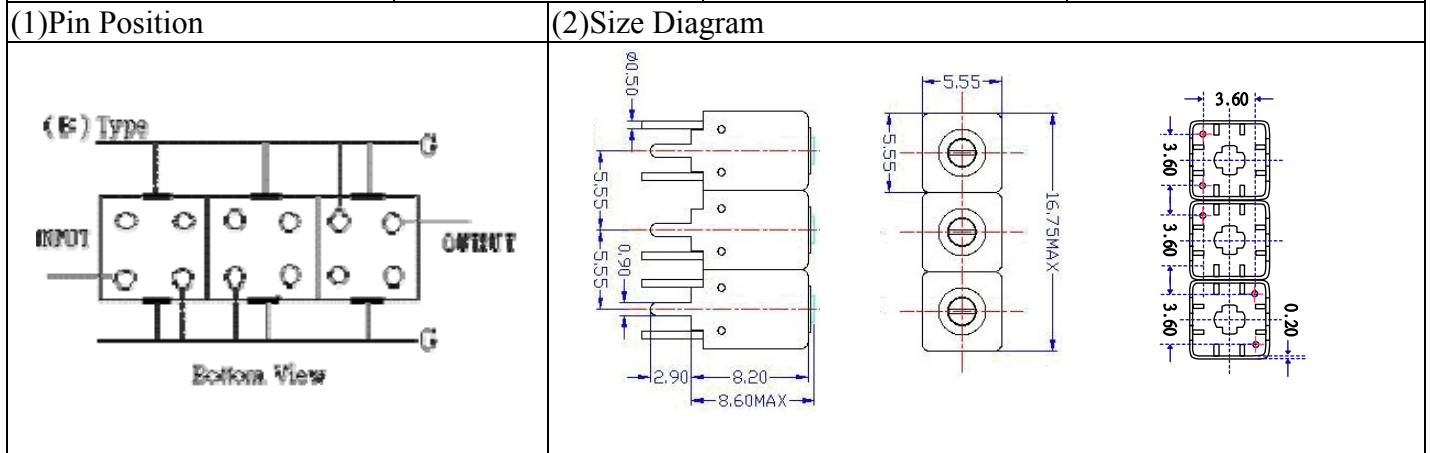


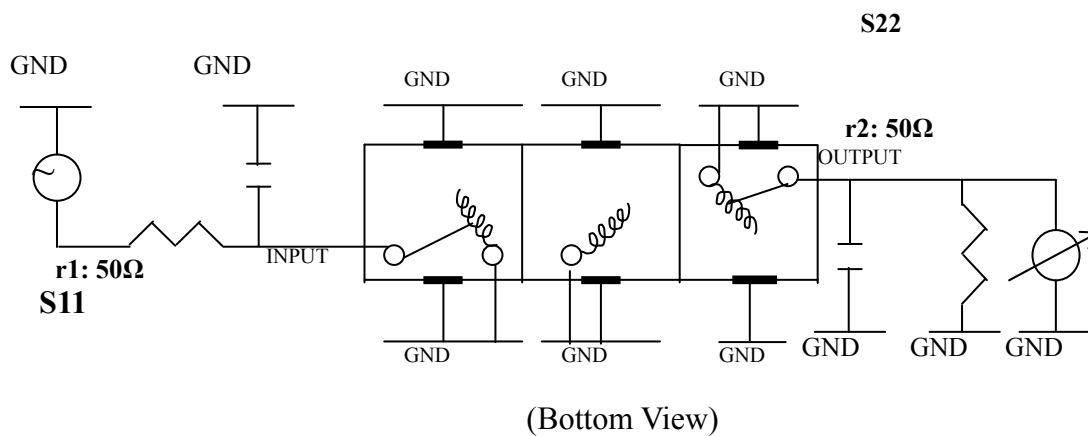
VHF UHF Helical Filter Specification Sheet

Customer Name		Temwell's Part No.	TTW3771B-825M
Approval No. /dated		Temwell's Print Name.	3771B 825M
Work Instruction No.	201406031CD	Date	Jun.19.2014



(3) Electric Character					
Item		Specify		Performance	
Center Freq.(Fo) +/- 0.5 %		825 MHz		825 MHz	
Insertion Loss		Typ. 3.5 dB		1.48 dB	
-3 dB Bandwidth		Typ. 43 MHz		48.6 MHz	
Sensitivity (Attenuation)	Fo - 100 MHz	Typ. 40 dBc		43 dBc	
	Fo + 100 MHz	Typ. 27 dBc		30 dBc	
	Fo - ()MHz	Typ. dBc		dBc	
	Fo + ()MHz	Typ. dBc		dBc	
Return Loss		Min. 12 dB		31.1 dB	
Ripple		< 1 dB		dB	
Impedance		In / Out : 50 Ω		In / Out : 50 Ω	
(4) Torque for Tuning Screw		> 60gf • cm			
(5) Temperature Condition:					
Operating Temperature		0°C ~ +60°C			
Storage Temperature		-20°C ~ +70°C			
(6) Input Power		> 0.5Watt			

(7) Measuring Circuit: ※Easy to match Impedance S11/S22 50Ω by parallel with about(--) / (--).

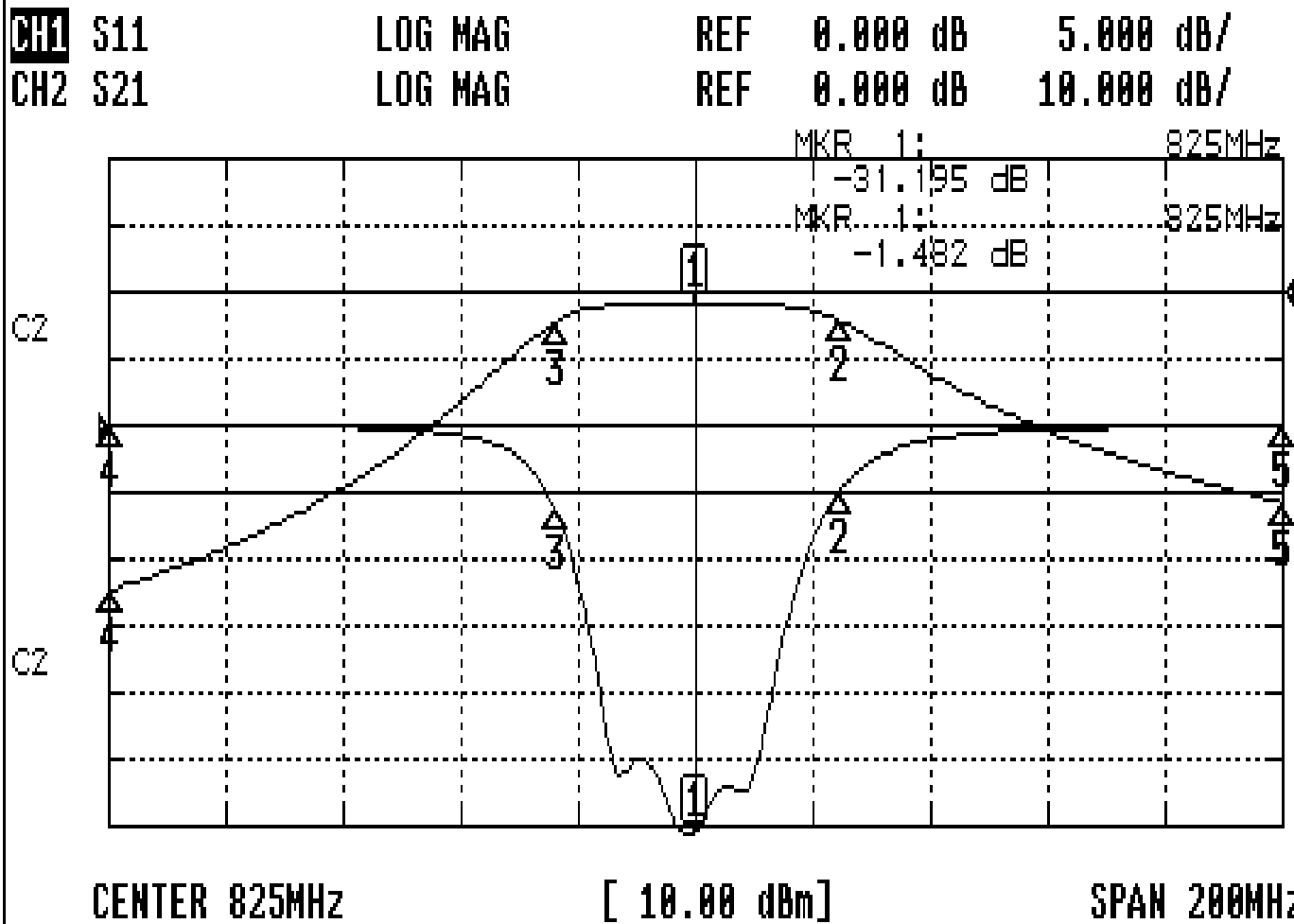


Approval	Supervisor	Designer	Aperture size
C.Y.Chang	C.K.Chang	M.Y.Kang	5W3S(3.8*4.5)(4.55) 5HW046RB3.2

TEMWELL CORPORATION

Performance-TTW3771B-825M

201406031CD



CH1 MARKER LIST

1:	825.000MHz	-31.192	dB
2:	849.833MHz	-4.832	dB
3:	801.166MHz	-6.252	dB
4:	725.000MHz	-0.035	dB
5:	925.000MHz	-0.009	dB
6:			
7:			
8:			
9:			
10:			

CH2 MARKER LIST

1:	825.000MHz	-1.482	dB
2:	849.833MHz	-4.459	dB
3:	801.166MHz	-4.436	dB
4:	725.000MHz	-44.628	dB
5:	925.000MHz	-31.513	dB
6:			
7:			
8:			
9:			
10:			