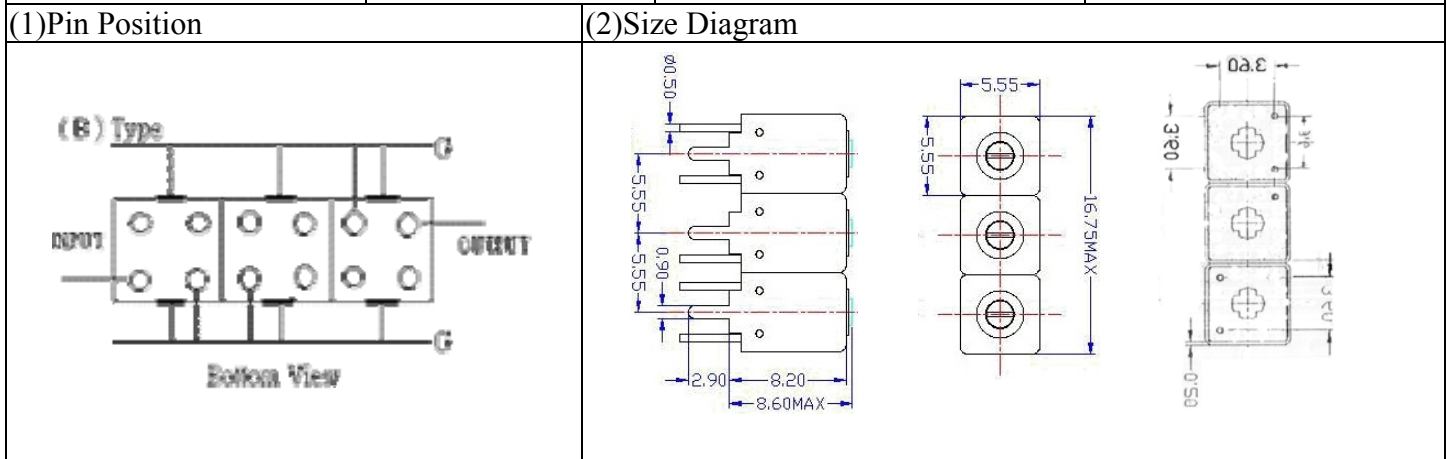


VHF UHF Helical Filter Specification Sheet

Customer Name		Temwell's Part No.	TTW3772B-875M
Approval No. /dated	0512026APR	Acceptable Specify Fo Range	851-900 MHz
Work Instruction No.	0512026DC	Date	Jan.02.2006

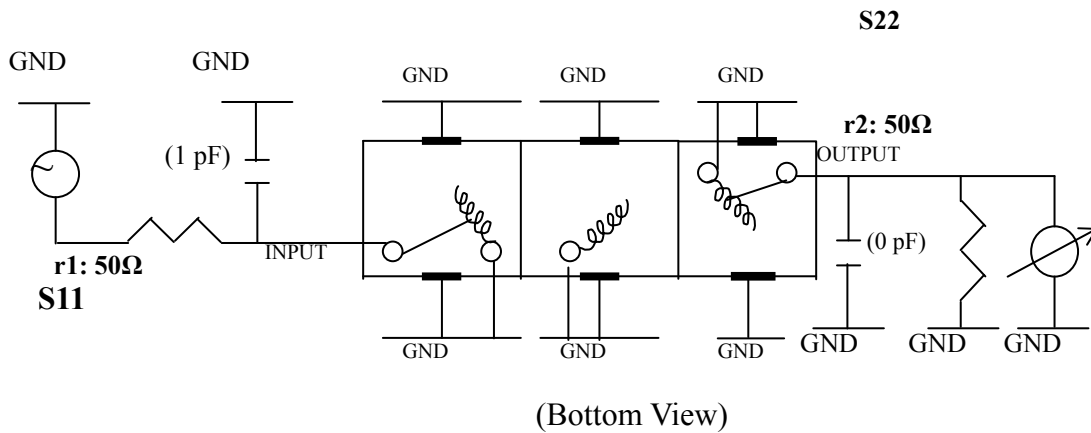


(3) Electric Character		Item	Specify	Performance
Center Freq.(Fo) +/- 0.5 %			875 MHz	875 MHz
Tunable Range:			875±5 MHz	875±5 MHz
Insertion Loss		Typ.	3.0 dB	1.76 dB
-3 dB Bandwidth		Typ.	40 MHz	48.8 MHz
Sensitivity (Attenuation)	Fo - 100 MHz	Typ.	39 dBc	42 dBc
	Fo + 100 MHz	Typ.	26 dBc	29 dBc
	Fo - ()MHz	Typ.	dBc	dBc
	Fo +()MHz	Typ.	dBc	dBc
Return Loss		Min.	12 dB	17.8 dB
Ripple			< 1 dB	dB
Impedance			In / Out : 50 Ω	In / Out : 50 Ω
(4) Torque for Tuning Screw			> 60gf · cm	

(5) Temperature Condition:	
Operating Temperature	0°C ~ +60°C
Storage Temperature	-20°C ~ +70°C

(6) Input Power	> 0.5Watt
-----------------	-----------

(7) Measuring Circuit: ※Easy to match Impedance S11/S22 50Ω by parallel with about(1pF) / (0pF).



Approval	Supervisor	Designer	Aperture size
C.Y. Chang	C.S. Chang	C.S. Chang	5W3, 3.8*4.5(4.62) 5HW024RB3

TEMWELL CORPORATION

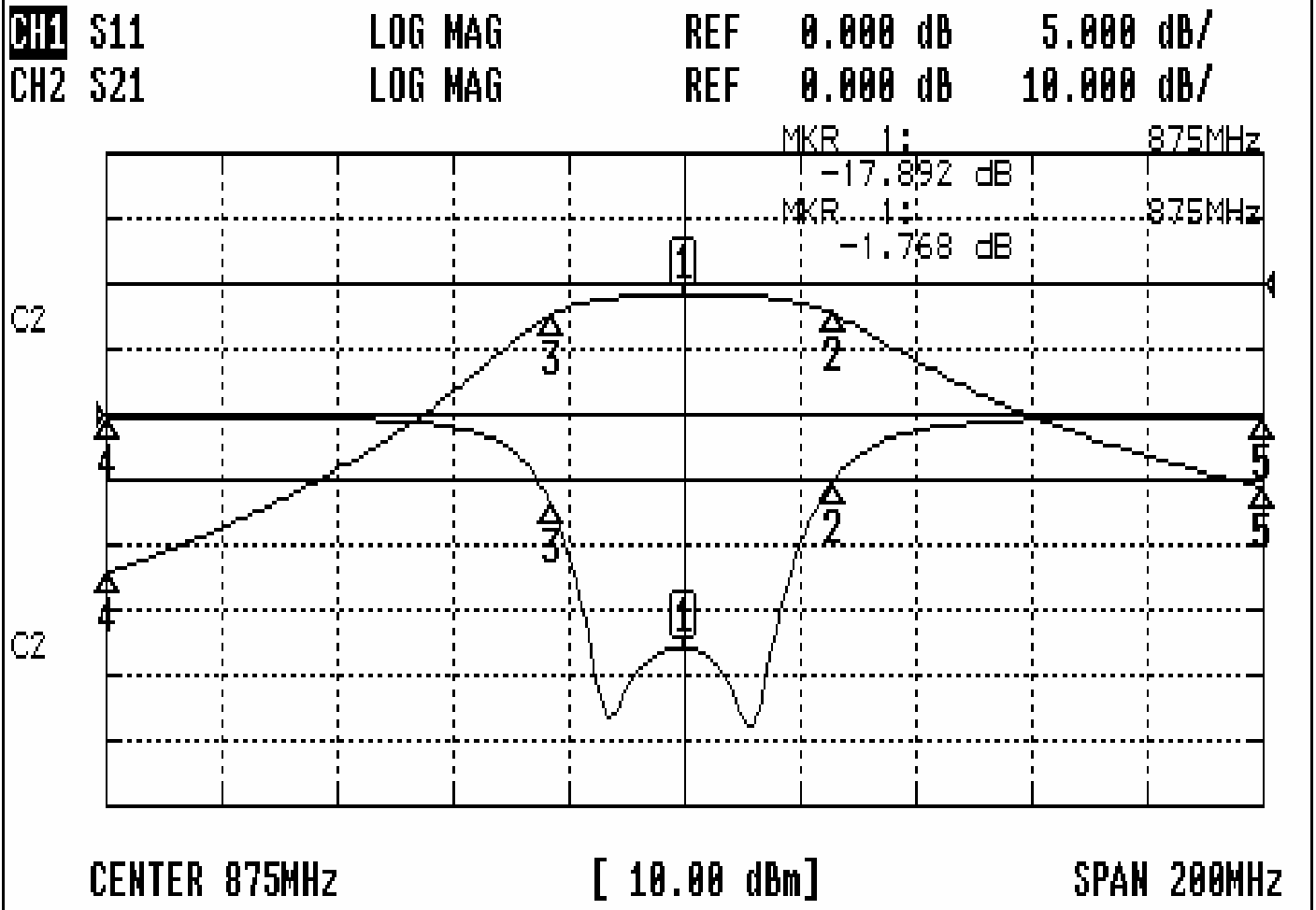
TEMWELL

Form10-5W3B Vision D

RP: C.S. Chang

Performance-TTW3772B-875M

0512026DC



CH1 MARKER LIST

Marker	Frequency (MHz)	Magnitude (dB)
1	875.000	-17.892
2	900.833	-15.030
3	852.000	-10.872
4	775.000	-0.159
5	975.000	-0.152

CH2 MARKER LIST

Marker	Frequency (MHz)	Magnitude (dB)
1	875.000	-1.768
2	900.833	-4.739
3	852.000	-4.744
4	775.000	-44.138
5	975.000	-31.146