

VHF UHF Helical Filter Specification Sheet

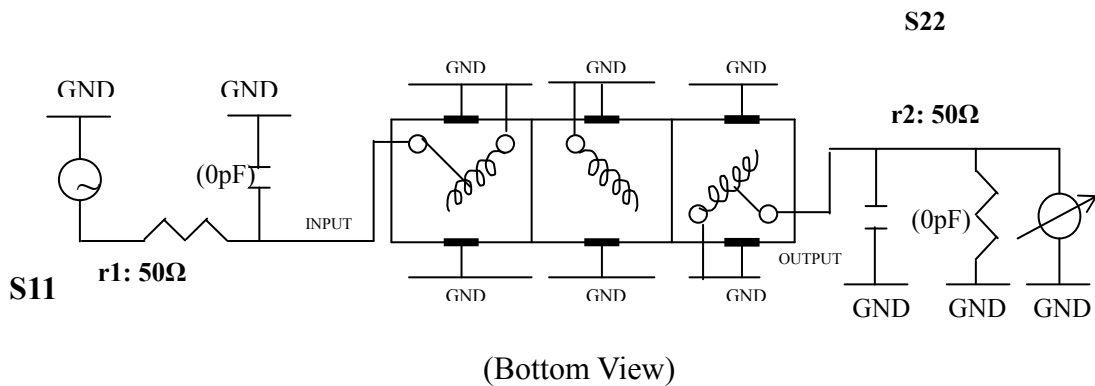
Customer Name		Temwell's Part No.	TTW3888A-325M
Approval No. /dated	0908110CD	Temwell's Print Name.	3888A 325M
Work Instruction No.	200908110CD	Date	Sep.03.2009

<p>(1) Pin Position</p> <p>(A) Type</p> <p>Bottom View</p>	<p>(2) Size Diagram</p>
--	-------------------------

(3) Electric Characteristic

Item	Specify	Performance	
Center Freq.(Fo) +/- 0.5 %	325 MHz	325 MHz	
Insertion Loss	Typ 4.5 dB	3.29 dB	
-3 dB Bandwidth	Typ. 10 MHz	13.4 MHz	
Sensitivity (Attenuation)	Fo - 50 MHz	Typ. 49 dBc	52 dBc
	Fo + 50 MHz	Typ. 61 dBc	64 dBc
	Fo - ()MHz	Typ. dBc	dBc
	Fo +()MHz	Typ. dBc	dBc
Return Loss	Min. 12 dB	25.9 dB	
Ripple	< 1 dB	dB	
Impedance	In / Out : Ω	In / Out : Ω	
(4) Torque for Tuning Screw	> 60gf · cm		
(5) Temperature Condition:			
Operating Temperature	0°C ~ +60°C		
Storage Temperature	-20°C ~ +70°C		
(6) Input Power	> 0.5 Watt		

(7) Measuring Circuit: ※Easy to match Impedance S11/S22 50 Ω by parallel with about(0 pF) / (0 pF).

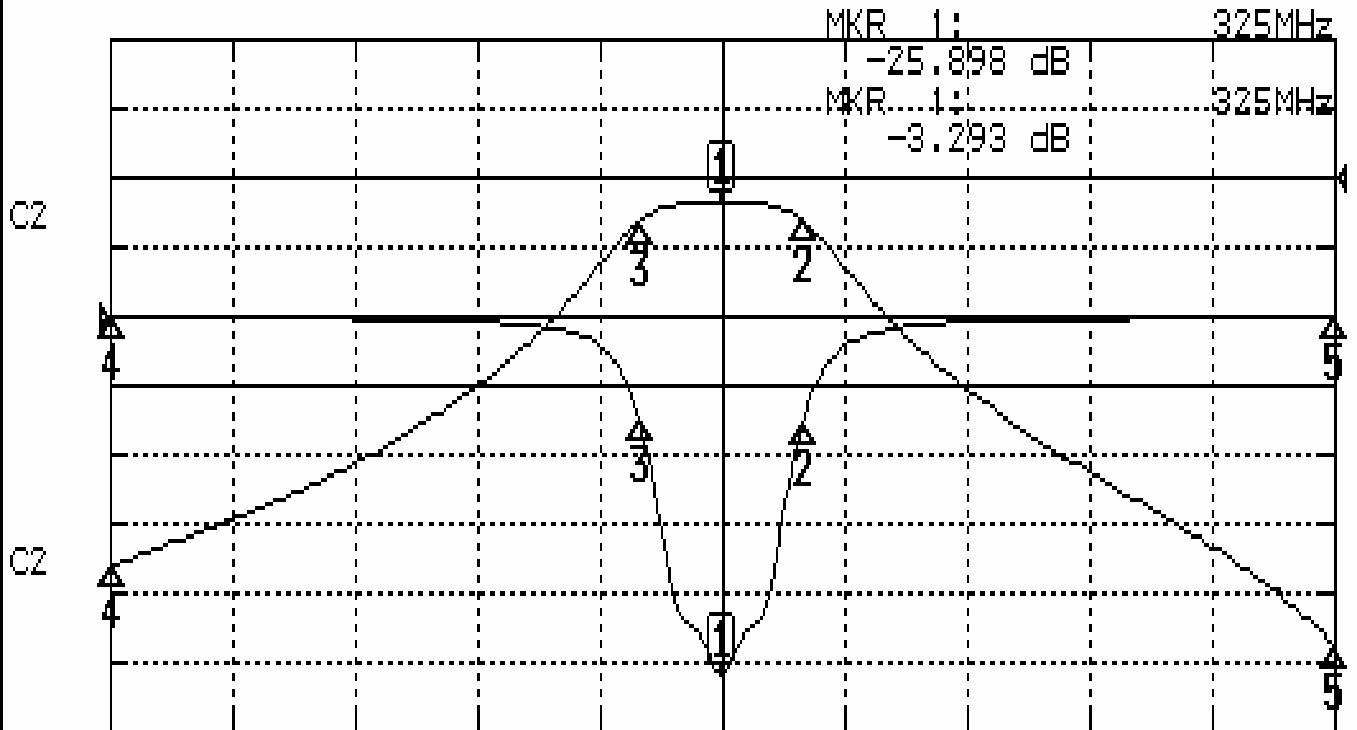


Approval	Supervisor	Designer	Aperture size
C.Y.Chang	C.K.Chang	Y.H.Yeh	5W3S(3.8*3.5)(3.57) 5HW020RB3.5
TEMWELL CORPORATION			

Performance-TTW3888A-325M

200908110CD

CH1 S11	LOG MAG	REF 0.000 dB	5.000 dB/
CH2 S21	LOG MAG	REF 0.000 dB	10.000 dB/



CENTER 325MHz

[10.00 dBm]

SPAN 100MHz

CH1 MARKER LIST

1	325.000MHz	-25.920	dB
2	331.680MHz	-7.500	dB
3	318.230MHz	-7.320	dB
4	275.000MHz	-0.045	dB
5	375.000MHz	-0.084	dB

CH2 MARKER LIST

1	325.000MHz	-3.293	dB
2	331.680MHz	0.304	dB
3	318.230MHz	0.296	dB
4	275.000MHz	-7.447	dB
5	375.000MHz	-7.884	dB