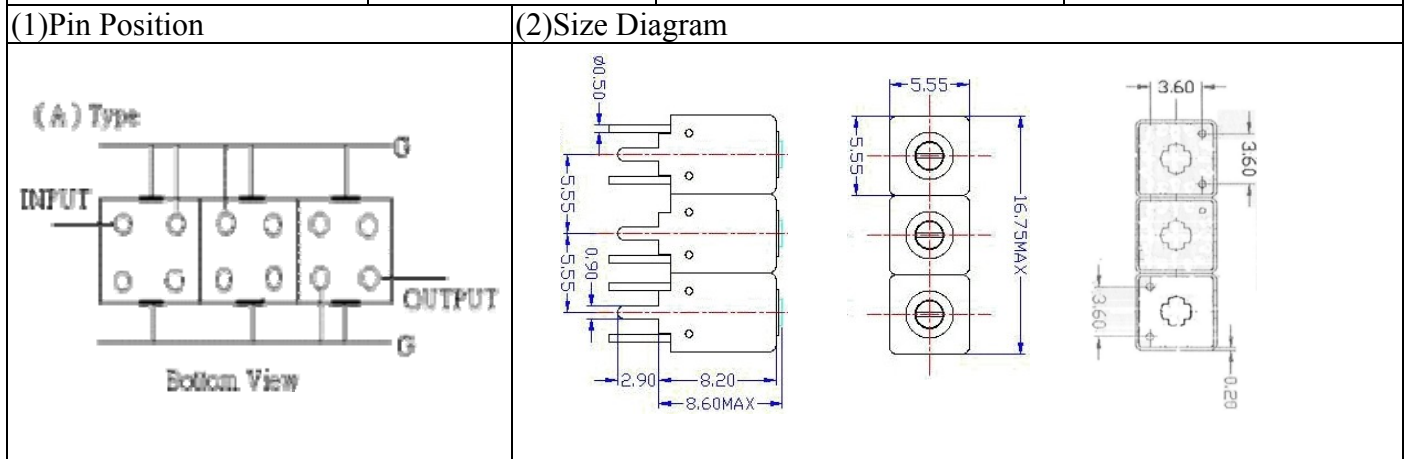


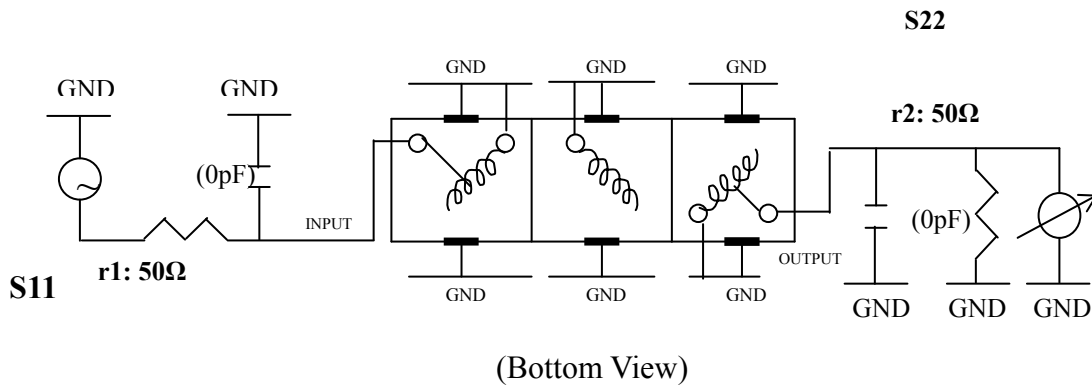
VHF UHF Helical Filter Specification Sheet

Customer Name		Temwell's Part No.	TTW3889A-375M
Approval No. /dated	0806018CD	Acceptable Specify Fo Range	351~400MHz
Work Instruction No.	0806018CD	Date	June.13.2007



(3) Electric Characteristic			
Item		Specify	Performance
Center Freq.(Fo) +/- 0.5 %		375 MHz	375 MHz
Tunable Range:		375±4 MHz	375±4 MHz
Insertion Loss		Typ 4.5 dB	3.45 dB
-3 dB Bandwidth		Typ. 10 MHz	13.1 MHz
Sensitivity (Attenuation)	Fo -50 MHz	Typ. 48 dBc	51 dBc
	Fo +50 MHz	Typ. 48 dBc	51 dBc
	Fo - ()MHz	Typ. dBc	dBc
	Fo +()MHz	Typ. dBc	dBc
Return Loss		Min. 12 dB	23.3 dB
Ripple		< 1 dB	dB
Impedance		In / Out : 50Ω	In / Out : 50Ω
(4) Torque for Tuning Screw		> 60gf • cm	
(5) Temperature Condition:			
Operating Temperature		0°C ~ +60°C	
Storage Temperature		-20°C ~ +70°C	
(6) Input Power		>0.5Watt	

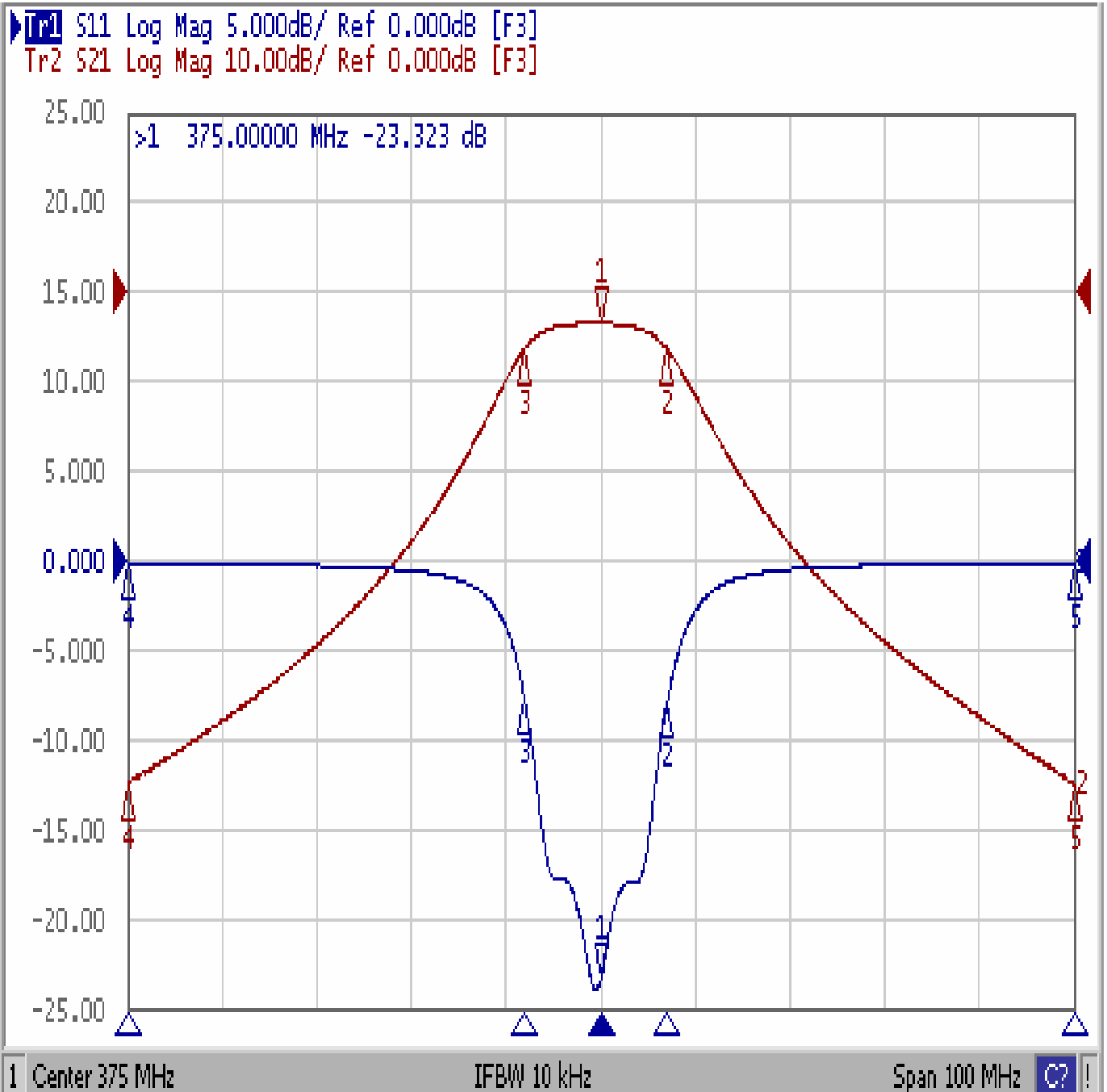
(7) Measuring Circuit: ※ Easy to match Impedance S11/S22 50Ω by parallel with about (0 pF) / (0 pF).



Approval	Supervisor	Designer	Aperture size
C.Y.Chang	C.S.Chang	C.S.Chang	5w3(3.8*3.5) 5HW020RB3.5
TEMWELL CORPORATION			

Performance-TTW3889A-375M

0806018CD



Ch1	Tr1	S11	>1	375.00000	MHz	-23.323	dB
Ch1	Tr1	S11	2	382.03563	MHz	-7.9119	dB
Ch1	Tr1	S11	3	366.94388	MHz	-7.7120	dB
Ch1	Tr1	S11	4	325.00000	MHz	-0.1421	dB
Ch1	Tr1	S11	5	425.00000	MHz	-0.1425	dB
Ch1	Tr2	S21	1	375.00000	MHz	-3.4597	dB
Ch1	Tr2	S21	2	382.03563	MHz	-6.4295	dB
Ch1	Tr2	S21	3	366.94388	MHz	-6.3935	dB
Ch1	Tr2	S21	4	325.00000	MHz	-54.941	dB
Ch1	Tr2	S21	5	425.00000	MHz	-55.139	dB