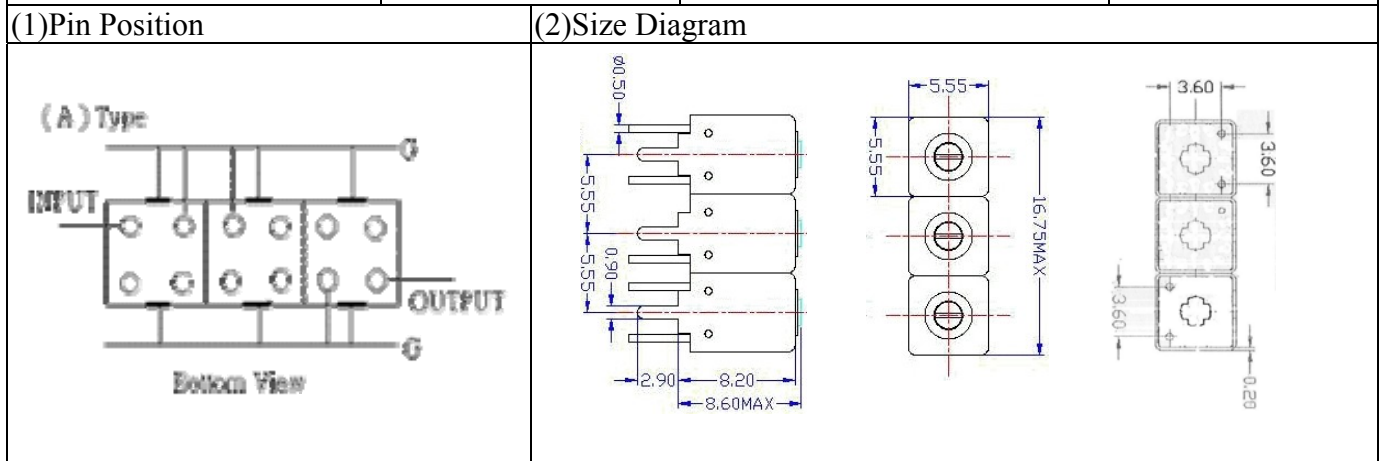


VHF UHF Helical Filter Specification Sheet

Customer Name		Temwell's Part No.	TTW3895A-375M
Approval No. /dated	0806024CD	Acceptable Specify Fo Range	351~400MHz
Work Instruction No.	0806024CD	Date	June.17.2007



(3) Electric Characteristic

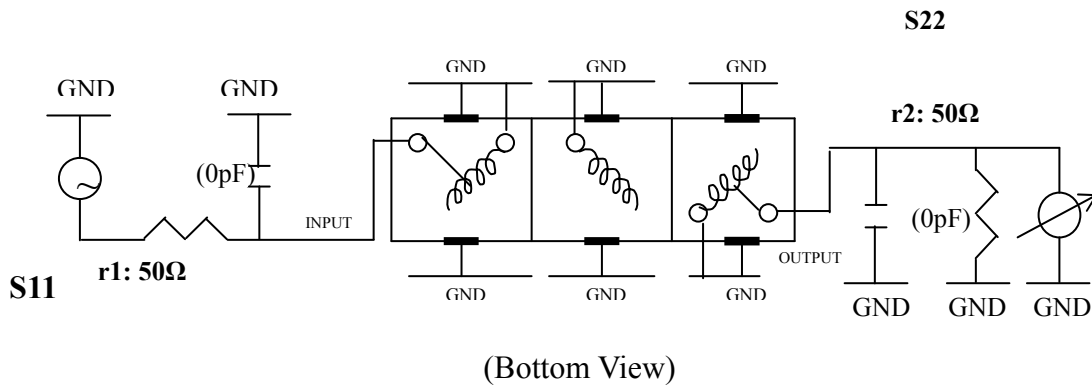
Item	Specify	Performance
Center Freq.(Fo) +/- 0.5 %	375 MHz	375 MHz
Tunable Range:	375±4 MHz	375±4 MHz
Insertion Loss	Typ 3.5 dB	2.55 dB
-3 dB Bandwidth	Typ. 20 MHz	24.2 MHz
Sensitivity (Attenuation)	Fo -50 MHz	Typ. 38 dBc
	Fo +50 MHz	Typ. 35 dBc
	Fo - ()MHz	Typ. dBc
	Fo +()MHz	Typ. dBc
Return Loss	Min. 12 dB	23.2 dB
Ripple	< 1 dB	dB
Impedance	In / Out : 50Ω	In / Out : 50Ω
(4) Torque for Tuning Screw	> 60gf • cm	

(5) Temperature Condition:

Operating Temperature	0°C ~ +60°C
Storage Temperature	-20°C ~ +70°C

(6) Input Power >0.5Watt

(7) Measuring Circuit: ※Easy to match Impedance S11/S22 50Ω by parallel with about(0 pF) / (0 pF).



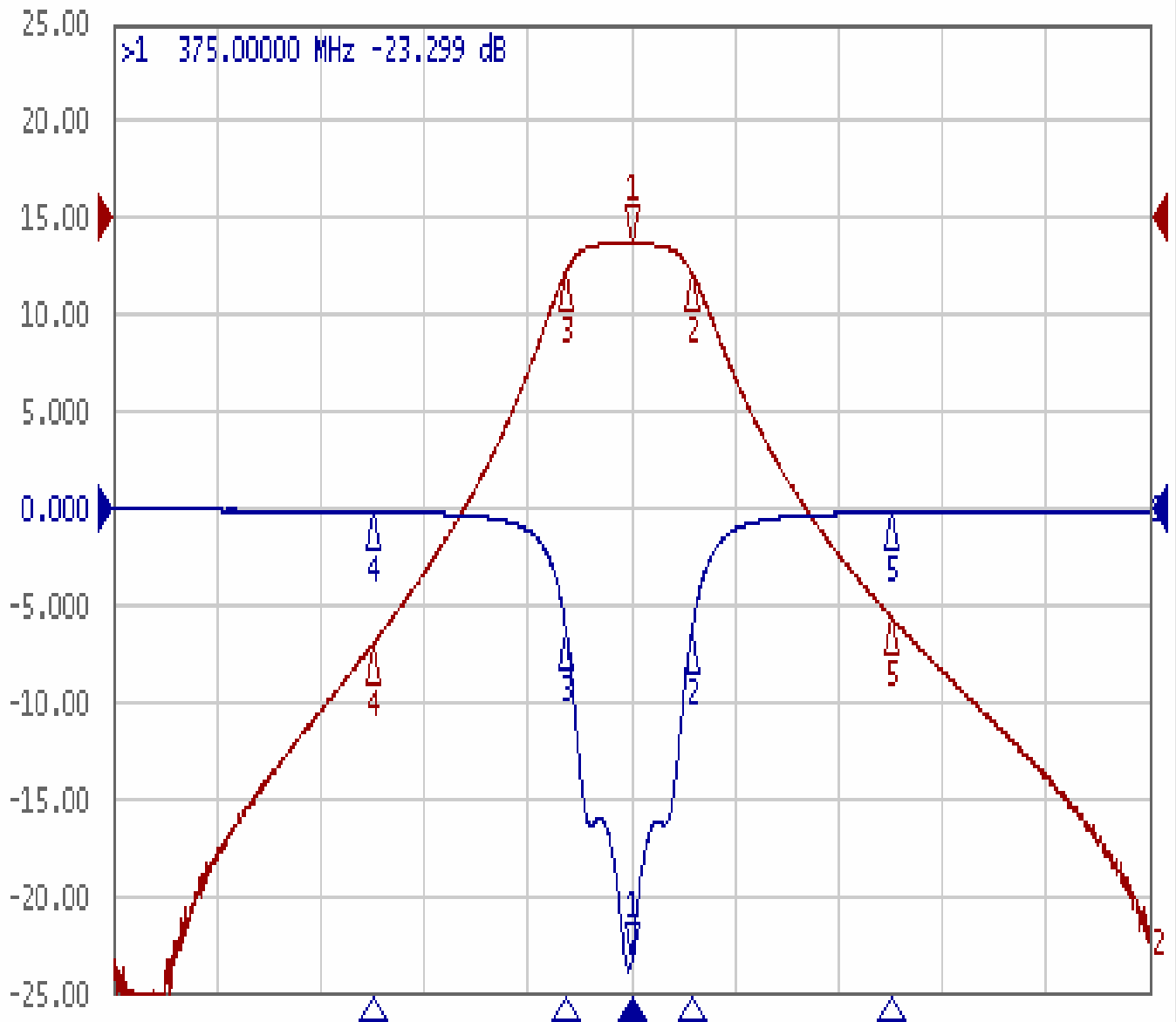
Approval	Supervisor	Designer	Aperture size
C.Y.Chang	C.S.Chang	C.S.Chang	5w3(3.8*4.0) 5HW020RB3.5

TEMWELL CORPORATION

Performance-TTW3895A-375M

0806024CD

▶ Tr1 S11 Log Mag 5.000dB/ Ref 0.000dB [F3]
Tr2 S21 Log Mag 10.00dB/ Ref 0.000dB [F3]



1 Center 375 MHz

IFBW 10 kHz

Span 200 MHz



Ch1	Tr1	S11	>1	375.00000	MHz	-23.299	dB
Ch1	Tr1	S11	2	386.52100	MHz	-6.5701	dB
Ch1	Tr1	S11	3	362.38875	MHz	-6.3630	dB
Ch1	Tr1	S11	4	325.00000	MHz	-0.1659	dB
Ch1	Tr1	S11	5	425.00000	MHz	-0.2136	dB
Ch1	Tr2	S21	1	375.00000	MHz	-2.5540	dB
Ch1	Tr2	S21	2	386.52100	MHz	-5.5270	dB
Ch1	Tr2	S21	3	362.38875	MHz	-5.5230	dB
Ch1	Tr2	S21	4	325.00000	MHz	-44.117	dB
Ch1	Tr2	S21	5	425.00000	MHz	-41.166	dB