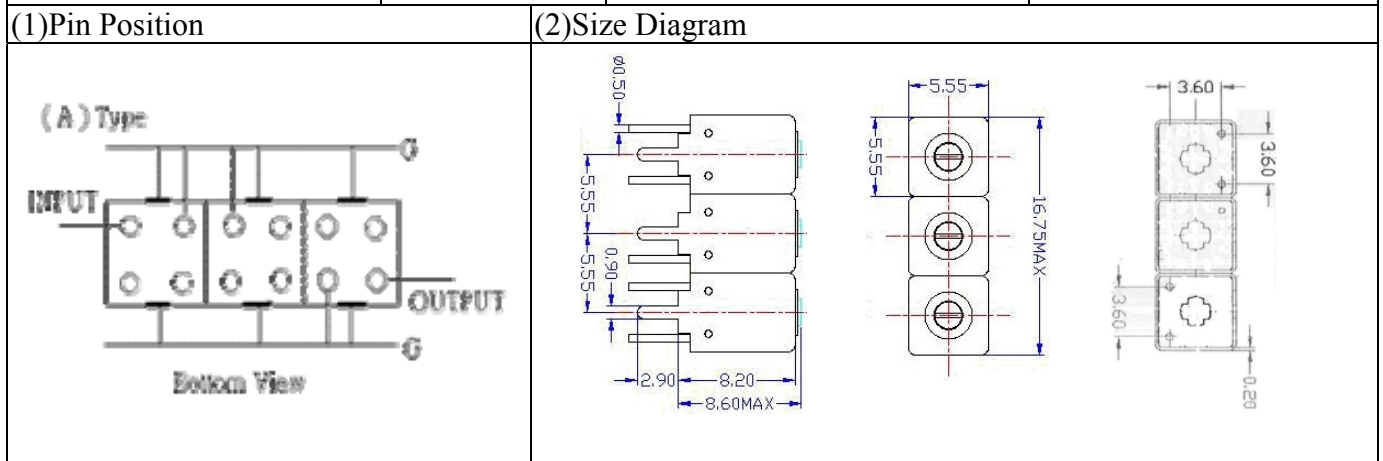


VHF UHF Helical Filter Specification Sheet

Customer Name		Temwell's Part No.	TTW3899A-575M
Approval No. /dated	0806028CD	Acceptable Specify Fo Range	551~600MHz
Work Instruction No.	0806028CD	Date	June.17.2007



(3) Electric Characteristic

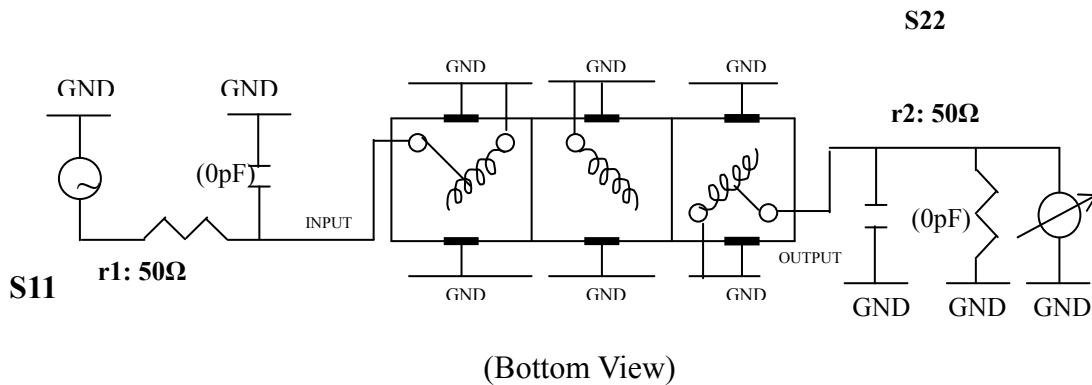
Item	Specify	Performance	
Center Freq.(Fo) +/- 0.5 %	575 MHz	575 MHz	
Tunable Range:	575±5 MHz	575±5 MHz	
Insertion Loss	Typ 4.5 dB	3.69 dB	
-3 dB Bandwidth	Typ. 20 MHz	22.6 MHz	
Sensitivity (Attenuation)	Fo -50 MHz	Typ. 34 dBc	37 dBc
	Fo +50 MHz	Typ. 39 dBc	42 dBc
	Fo - ()MHz	Typ. dBc	dBc
	Fo +()MHz	Typ. dBc	dBc
Return Loss	Min. 12 dB	26.8 dB	
Ripple	< 1 dB	dB	
Impedance	In / Out : 50Ω	In / Out : 50Ω	
(4) Torque for Tuning Screw	> 60gf • cm		

(5) Temperature Condition:

Operating Temperature	0°C ~ +60°C
Storage Temperature	-20°C ~ +70°C

(6) Input Power

(7) Measuring Circuit: ※Easy to match Impedance S11/S22 50Ω by parallel with about(0 pF) / (0 pF).



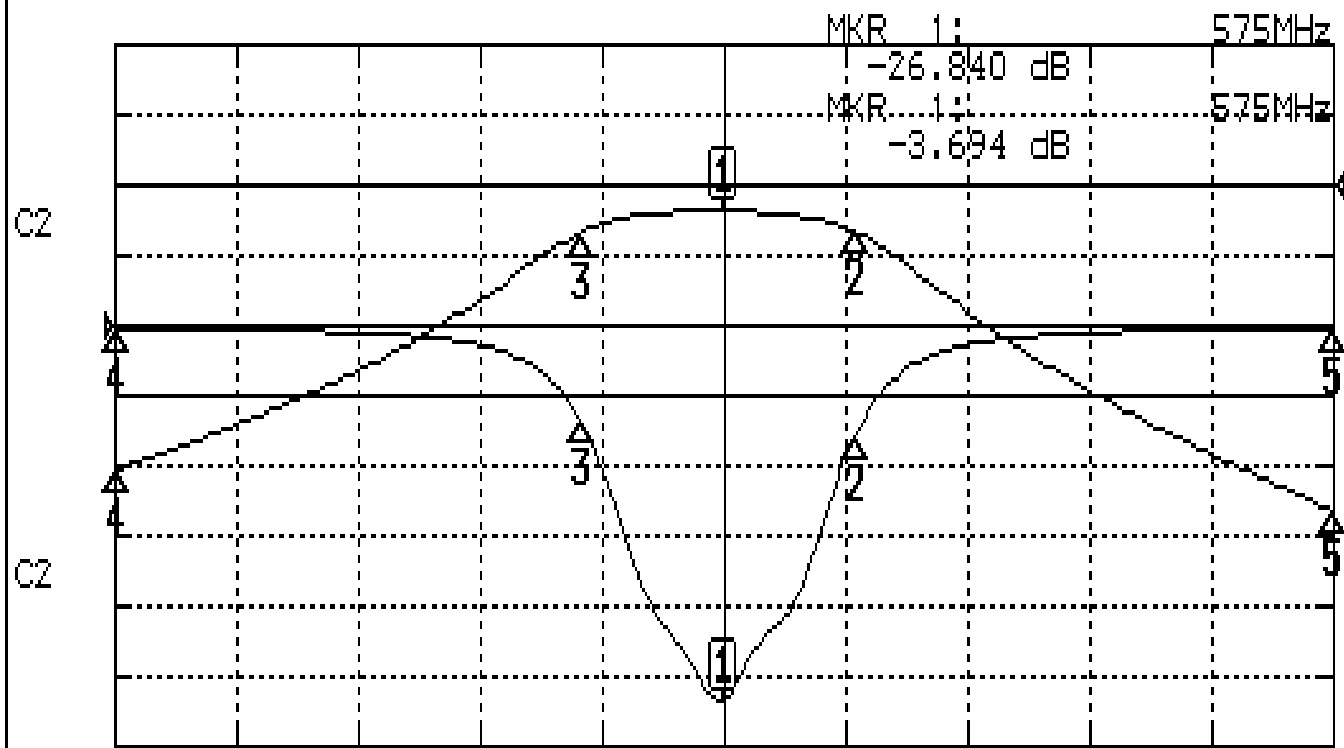
Approval	Supervisor	Designer	Aperture size
C.Y.Chang	C.S.Chang	P.H.Chiang	5w3(3.8*4.0) 5HW020RB3.5

TEMWELL CORPORATION

Performance-TTW3899A-575M

0806028CD

CH1 S11 LOG MAG REF 0.000 dB 5.000 dB/
 CH2 S21 LOG MAG REF 0.000 dB 10.000 dB/



CENTER 575MHz

[10.00 dBm]

SPAN 100MHz

CH1 MARKER LIST

1	575.000MHz	-26.861	dB
2	570.833MHz	-7.860	dB
3	563.250MHz	-6.751	dB
4	525.000MHz	-0.223	dB
5	625.000MHz	-0.208	dB

CH2 MARKER LIST

1	575.000MHz	-3.694	dB
2	570.833MHz	-6.661	dB
3	563.250MHz	-6.771	dB
4	525.000MHz	-40.616	dB
5	625.000MHz	-46.370	dB