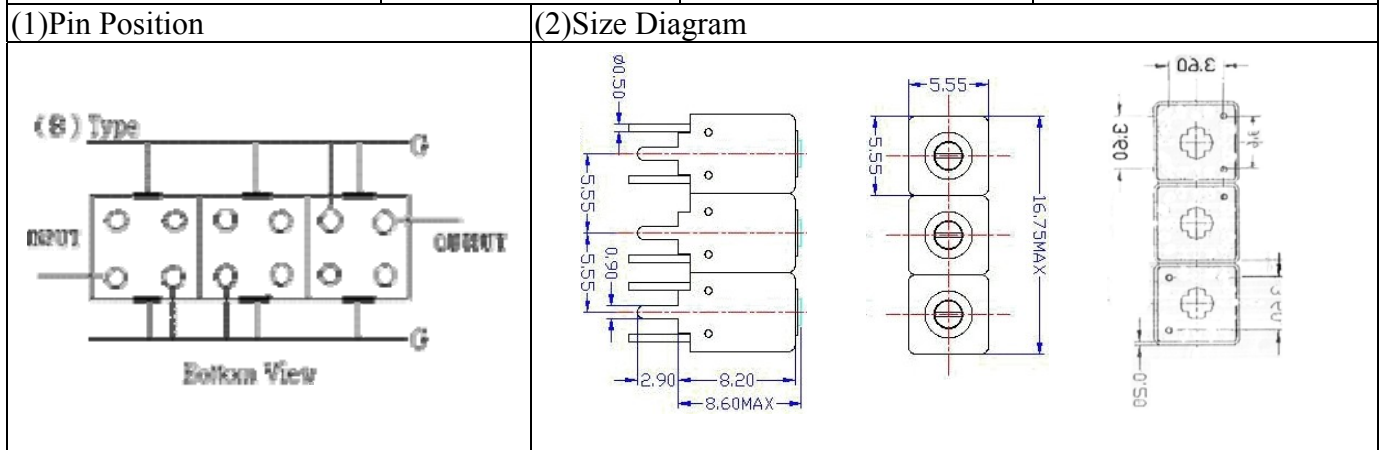


# VHF UHF Helical Filter Specification Sheet

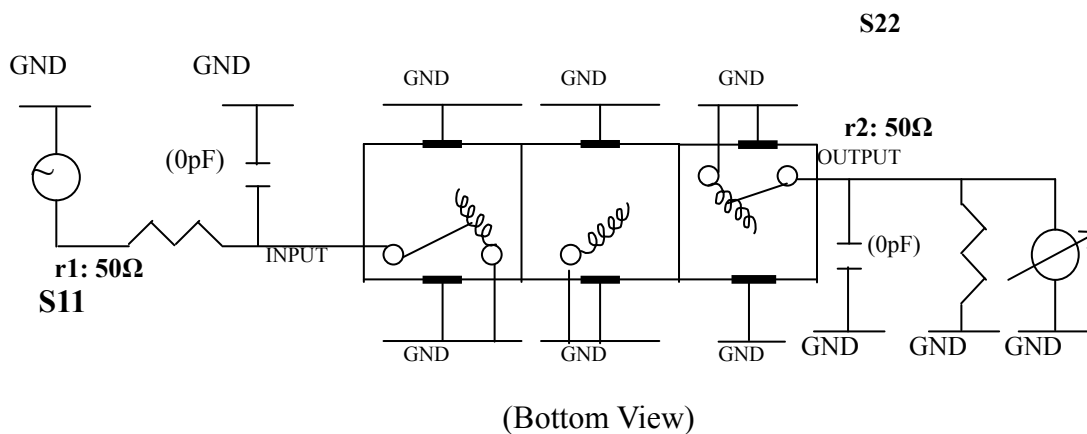
|                      |             |                       |               |
|----------------------|-------------|-----------------------|---------------|
| Customer Name        |             | Temwell's Part No.    | TTW3905B-375M |
| Approval No. /dated  | 0901021CD   | Temwell's Print Name. | 3905B<br>375M |
| Work Instruction No. | 200901021CD | Date                  | Mar.17.2009   |



(3) Electric Character

| Item                          | Specify         | Performance     |        |
|-------------------------------|-----------------|-----------------|--------|
| Center Freq.(Fo ) +/- 0.5 %   | 375 MHz         | 375 MHz         |        |
| Tunable Range:                | 375±3 MHz       | 375±3 MHz       |        |
| Insertion Loss                | Typ. 2.5 dB     | 1.66 dB         |        |
| -3 dB Bandwidth               | Typ. 40 MHz     | 43.5 MHz        |        |
| Sensitivity<br>(Attenuation ) | Fo - 50 MHz     | Typ. 19 dBc     | 22 dBc |
|                               | Fo + 50 MHz     | Typ. 17 dBc     | 20 dBc |
|                               | Fo - ( )MHz     | Typ. dBc        | dBc    |
|                               | Fo +( )MHz      | Typ. dBc        | dBc    |
| Return Loss                   | Min. 12 dB      | 20.5 dB         |        |
| Ripple                        | < 1 dB          | dB              |        |
| Impedance                     | In / Out : 50 Ω | In / Out : 50 Ω |        |
| (4) Torque for Tuning Screw   | > 60gf · cm     |                 |        |
| (5) Temperature Condition:    |                 |                 |        |
| Operating Temperature         | 0°C ~ +60°C     |                 |        |
| Storage Temperature           | -20°C ~ +70°C   |                 |        |
| (6) Input Power               | > 0.5Watt       |                 |        |

(7) Measuring Circuit: ※Easy to match Impedance S11/S22 50Ω by parallel with about(0pF) / (0pF).



|                       |                         |                       |   |
|-----------------------|-------------------------|-----------------------|---|
| Approval<br>C.Y.Chang | Supervisor<br>C.K.Chang | Designer<br>C.S.Chang | Aperture size<br>5W3(3.8*3.5)*(3.62)<br>5HW020LB4.5 |
|-----------------------|-------------------------|-----------------------|---|

TEMWELL CORPORATION

# Performance-TTW3905B-375M

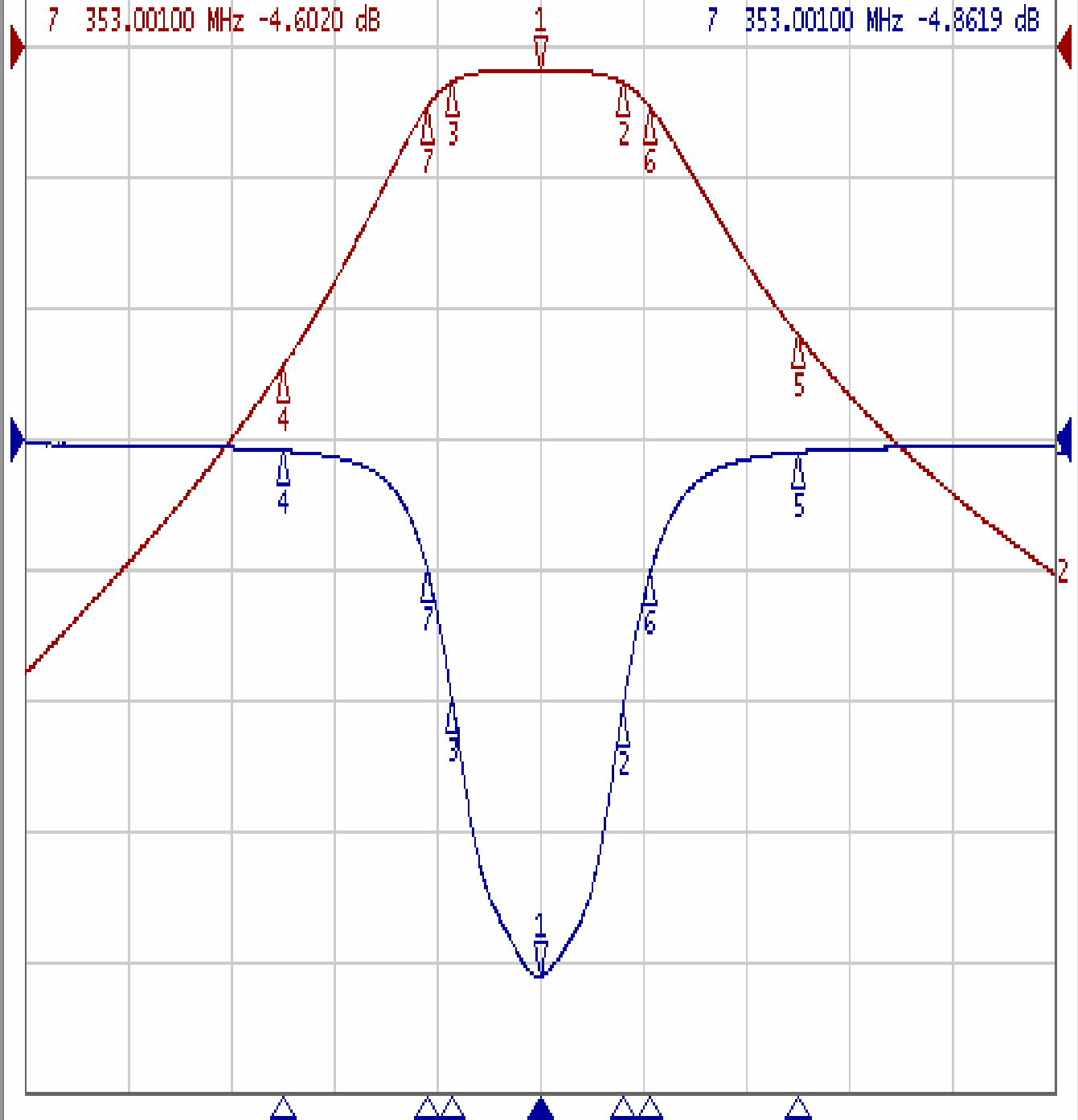
## 200901021CD

Tr1 S11 Log Mag 5.000dB/ Ref 0.000dB [F3]

Tr2 S21 Log Mag 10.00dB/ Ref 0.000dB [F3]

|   |               |            |
|---|---------------|------------|
| 1 | 375.00000 MHz | -1.6658 dB |
| 2 | 391.07250 MHz | -2.6554 dB |
| 3 | 357.85175 MHz | -2.6196 dB |
| 4 | 325.00000 MHz | -24.479 dB |
| 5 | 425.00000 MHz | -21.933 dB |
| 6 | 396.58700 MHz | -4.6668 dB |
| 7 | 353.00100 MHz | -4.6020 dB |

|    |               |            |
|----|---------------|------------|
| >1 | 375.00000 MHz | -20.555 dB |
| 2  | 391.07250 MHz | -10.396 dB |
| 3  | 357.85175 MHz | -9.8402 dB |
| 4  | 325.00000 MHz | -0.4307 dB |
| 5  | 425.00000 MHz | -0.4865 dB |
| 6  | 396.58700 MHz | -5.0168 dB |
| 7  | 353.00100 MHz | -4.8619 dB |



1 Center 375 MHz

IFBW 10 kHz

Span 200 MHz

