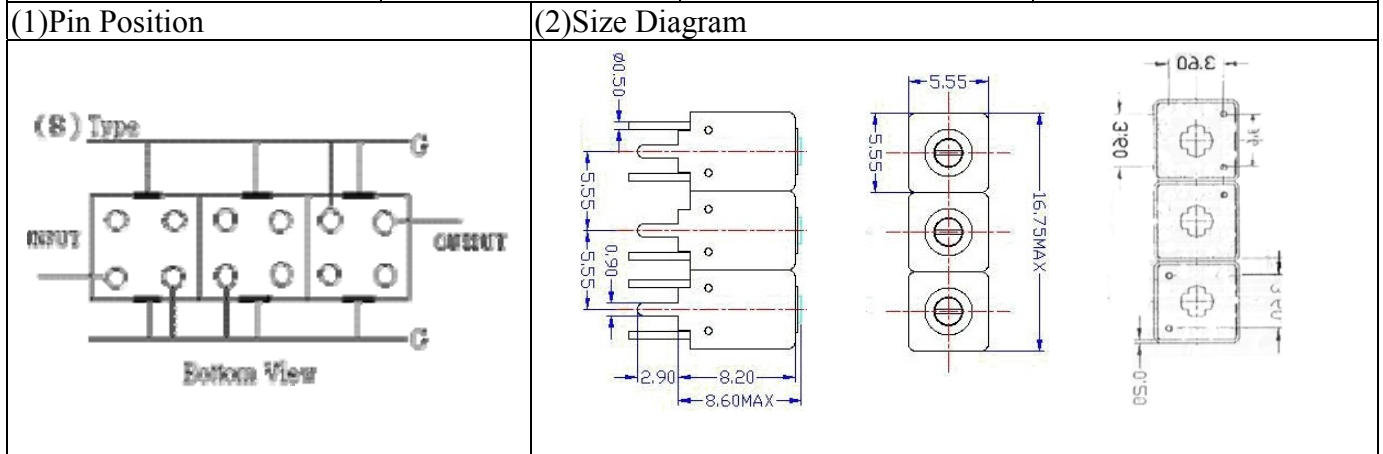


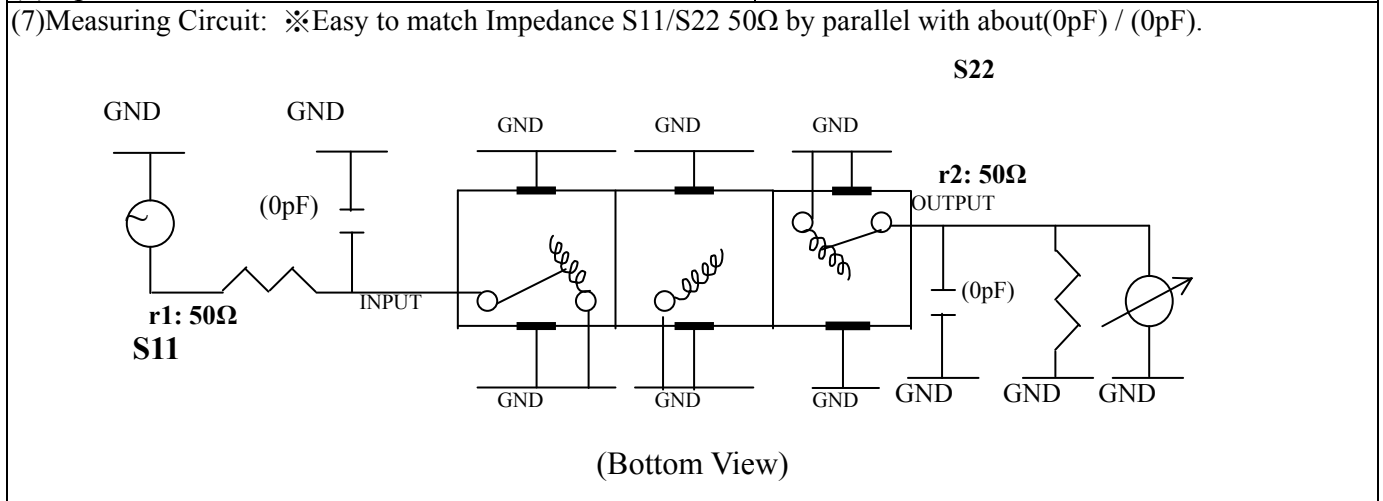
VHF UHF Helical Filter Specification Sheet

Customer Name		Temwell's Part No.	TTW3906B-425M
Approval No. /dated	0901022CD	Temwell's Print Name.	3906B 425M
Work Instruction No.	200901022CD	Date	Mar.20.2009



(3) Electric Character			
Item		Specify	Performance
Center Freq.(Fo) +/- 0.5 %		425 MHz	425 MHz
Tunable Range:		425±3 MHz	425±3 MHz
Insertion Loss		Typ. 2.5 dB	1.50 dB
-3 dB Bandwidth		Typ. 40 MHz	44.0 MHz
Sensitivity (Attenuation)	Fo - 50 MHz	Typ. 16 dBc	19 dBc
	Fo + 50 MHz	Typ. 15 dBc	18 dBc
	Fo - ()MHz	Typ. dBc	dBc
	Fo + ()MHz	Typ. dBc	dBc
Return Loss		Min. 12 dB	27.5 dB
Ripple		< 1 dB	dB
Impedance		In / Out : 50 Ω	In / Out : 50 Ω

(4) Torque for Tuning Screw		> 60gf · cm
(5) Temperature Condition:		
Operating Temperature	0°C ~ +60°C	
Storage Temperature	-20°C ~ +70°C	
(6) Input Power	> 0.5Watt	



Approval C.Y.Chang	Supervisor C.K.Chang	Designer C.S.Chang	Aperture size 5W3(3.8*3.5)*(3.58) 5HW020RB4.5
-----------------------	-------------------------	-----------------------	---

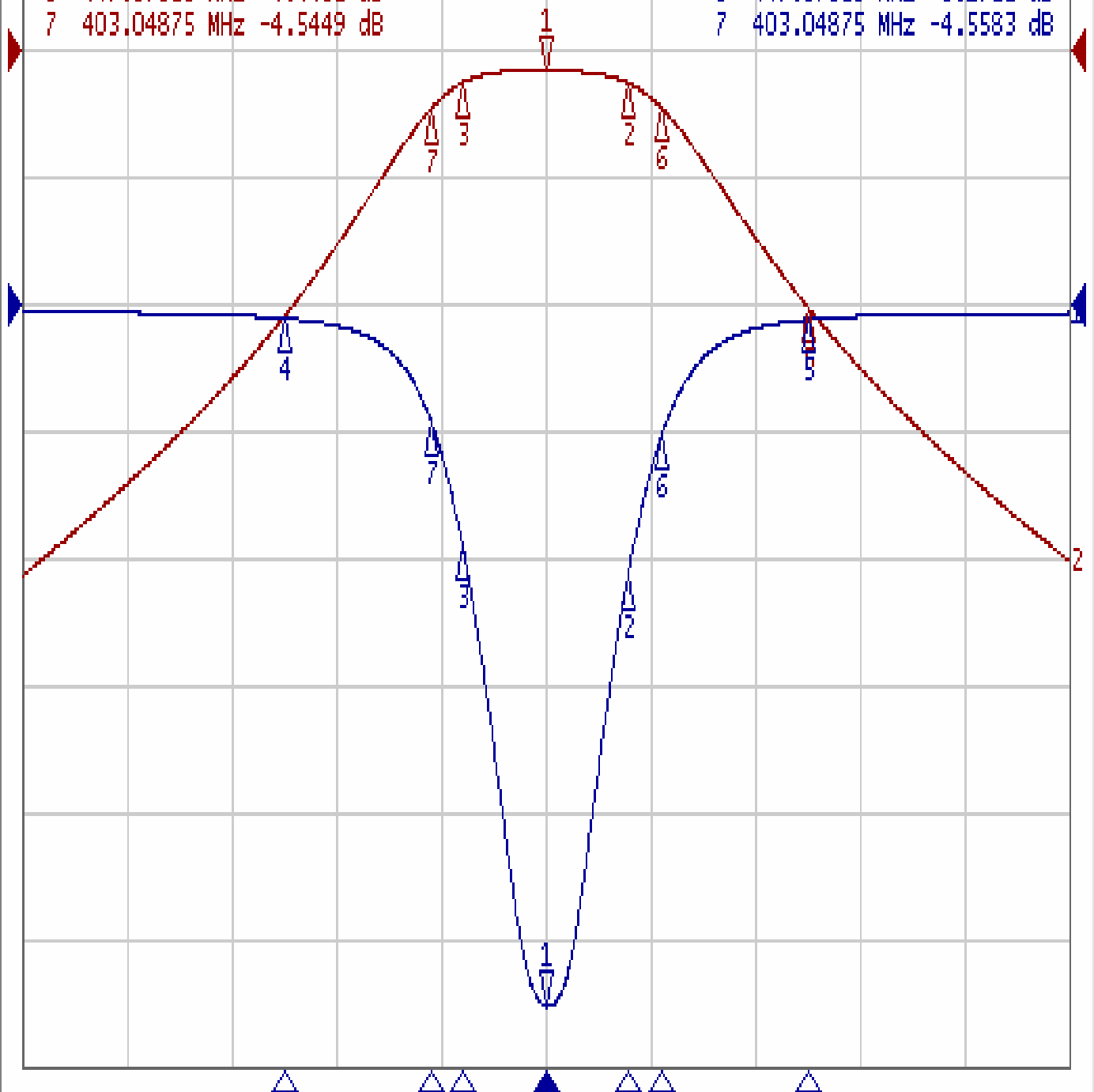
TEMWELL CORPORATION

Performance-TTW3906B-425M

200901022CD

▶ Tr1 S11 Log Mag 5.000dB/ Ref 0.000dB [F3]
Tr2 S21 Log Mag 10.00dB/ Ref 0.000dB [F3]

1	425.00000	MHz	-1.5001	dB	>1	425.00000	MHz	-27.598	dB
2	440.67225	MHz	-2.4838	dB	2	440.67225	MHz	-10.711	dB
3	409.05250	MHz	-2.4970	dB	3	409.05250	MHz	-9.4285	dB
4	375.00000	MHz	-20.919	dB	4	375.00000	MHz	-0.5204	dB
5	475.00000	MHz	-20.123	dB	5	475.00000	MHz	-0.5671	dB
6	447.07625	MHz	-4.4452	dB	6	447.07625	MHz	-5.1722	dB
7	403.04875	MHz	-4.5449	dB	7	403.04875	MHz	-4.5583	dB



1 Center 425 MHz

IFBW 10 kHz

Span 200 MHz C? !