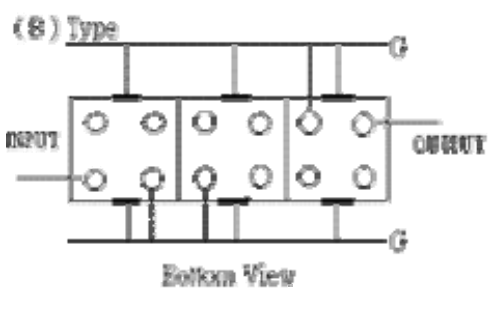
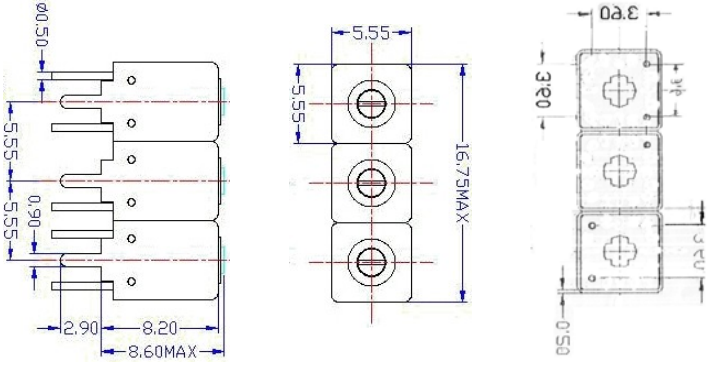
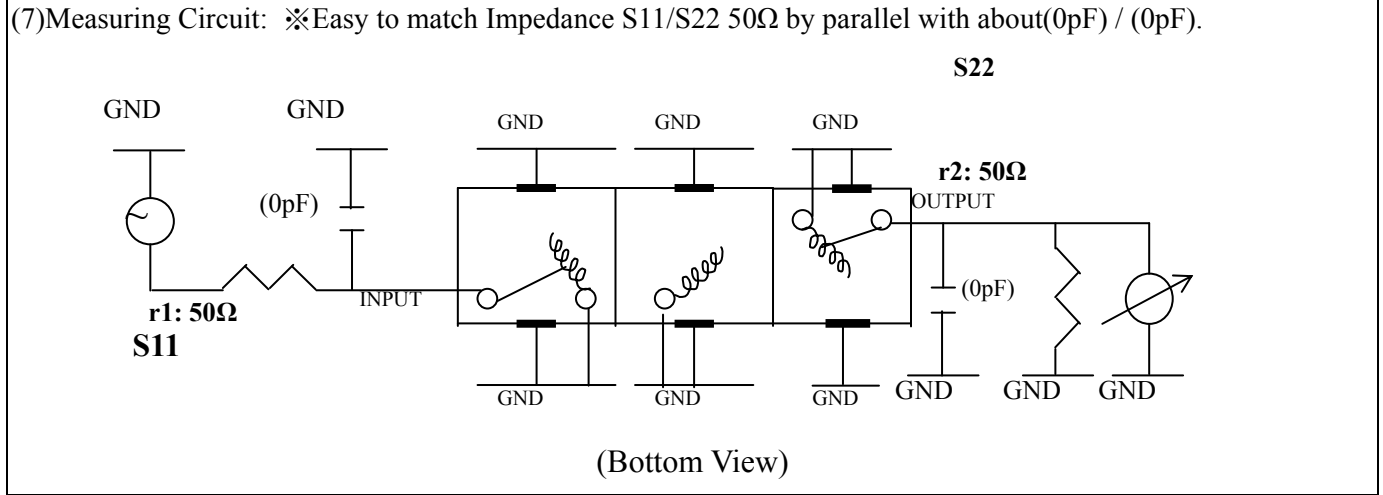


VHF UHF Helical Filter Specification Sheet

Customer Name		Temwell's Part No.	TTW3907B-475M
Approval No. /dated	0901023CD	Temwell's Print Name.	3907B 475M
Work Instruction No.	200901023CD	Date	Mar.21.2009

<p>(1) Pin Position</p>  <p style="text-align: center;">Bottom View</p>	<p>(2) Size Diagram</p> 
--	--

(3) Electric Character			
Item	Specify	Performance	
Center Freq.(Fo) +/- 0.5 %	475 MHz	475	MHz
Tunable Range:	475±3 MHz	475±3	MHz
Insertion Loss	Typ. 2.5 dB	1.68	dB
-3 dB Bandwidth	Typ. 40 MHz	44.3	MHz
Sensitivity (Attenuation)	Fo - 50 MHz	Typ. 17	dBc
	Fo + 50 MHz	Typ. 20	dBc
	Fo - ()MHz	Typ.	dBc
	Fo + ()MHz	Typ.	dBc
Return Loss	Min. 12 dB	42.3	dB
Ripple	< 1 dB		dB
Impedance	In / Out : 50 Ω	In / Out : 50 Ω	
(4) Torque for Tuning Screw		> 60gf • cm	
(5) Temperature Condition:			
Operating Temperature		0°C ~ +60°C	
Storage Temperature		-20°C ~ +70°C	
(6) Input Power		> 0.5Watt	



Approval C.Y.Chang	Supervisor C.K.Chang	Designer C.S.Chang	Aperture size 5W3(3.8*3.5)*(3.62) 5HW020RB4.5
-----------------------	-------------------------	-----------------------	---

TEMWELL CORPORATION

Performance-TTW3907B-475M

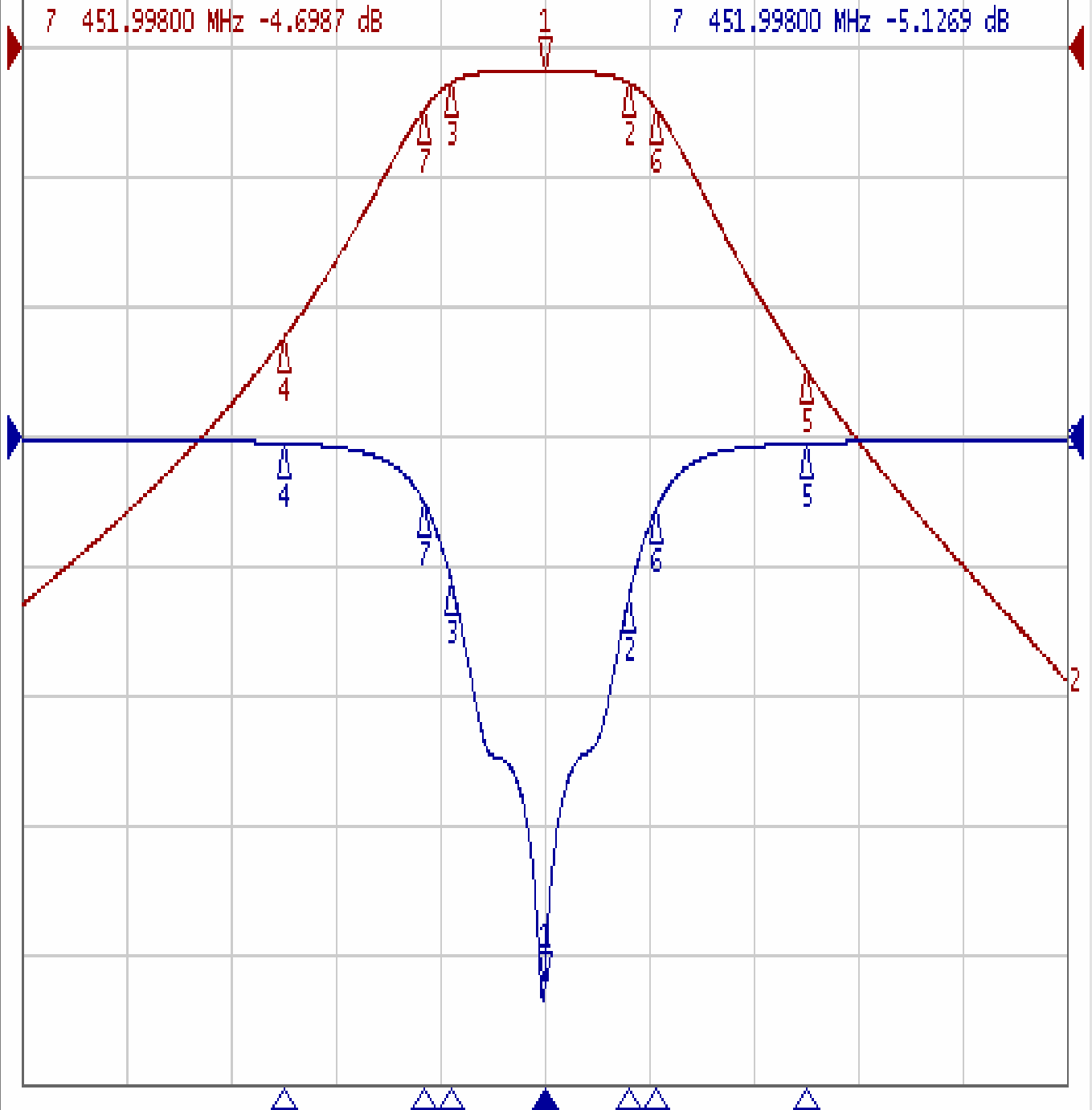
200901023CD

▶ Tr1 S11 Log Mag 10.00dB/ Ref 0.000dB [F3]

Tr2 S21 Log Mag 10.00dB/ Ref 0.000dB [F3]

1	475.00000 MHz	-1.6866 dB
2	491.07250 MHz	-2.6240 dB
3	457.05125 MHz	-2.6569 dB
4	425.00000 MHz	-22.426 dB
5	525.00000 MHz	-24.794 dB
6	496.27575 MHz	-4.6122 dB
7	451.99800 MHz	-4.6987 dB

>1	475.00000 MHz	-42.364 dB
2	491.07250 MHz	-12.525 dB
3	457.05125 MHz	-11.007 dB
4	425.00000 MHz	-0.4714 dB
5	525.00000 MHz	-0.4841 dB
6	496.27575 MHz	-5.6476 dB
7	451.99800 MHz	-5.1269 dB



1 Center 475 MHz

IFBW 10 kHz

Span 200 MHz

