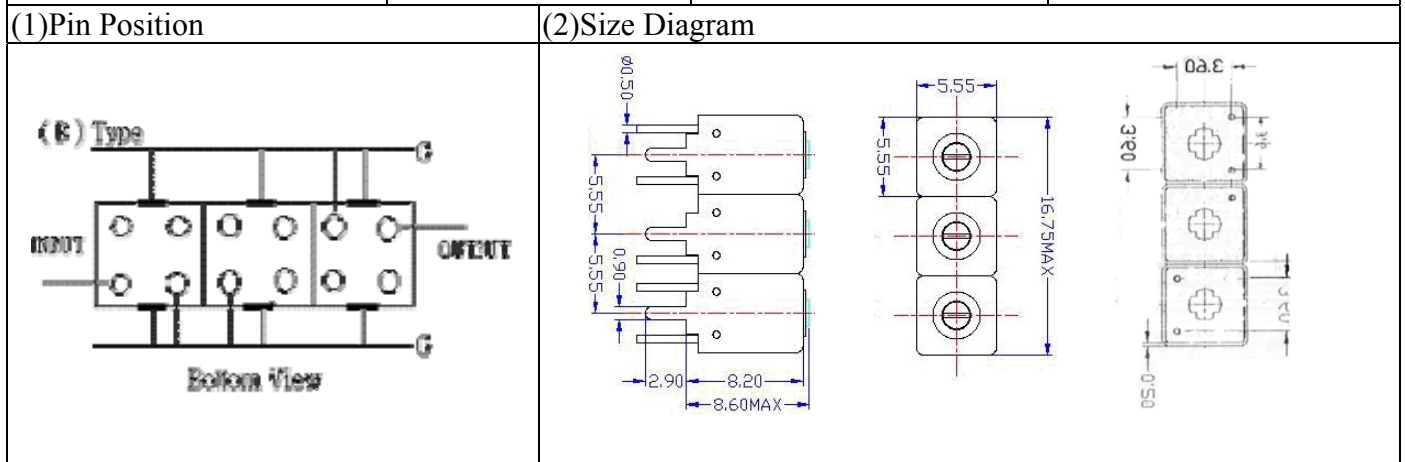


VHF UHF Helical Filter Specification Sheet

Customer Name		Temwell's Part No.	TTW3918B-425M
Approval No. /dated	0903062CD	Temwell's Print Name.	3918B 425M
Work Instruction No.	200903062CD	Date	Mar.30.2009



(3)Electric Character

Item	Specify	Performance
Center Freq.(Fo) +/- 0.5 %	425 MHz	425 MHz
Tunable Range:	425±3 MHz	425±3 MHz
Insertion Loss	Typ. 2.0 dB	1.27 dB
-3 dB Bandwidth	Typ. 50 MHz	53.6 MHz
Sensitivity (Attenuation)	Fo - 100 MHz	Typ. 40 dBc
	Fo + 100 MHz	Typ. 37 dBc
	Fo - ()MHz	Typ. dBc
	Fo +()MHz	Typ. dBc
Return Loss	Min. 12 dB	24.5 dB
Ripple	< 1 dB	dB
Impedance	In / Out : 50 Ω	In / Out : 50 Ω

(4)Torque for Tuning Screw

> 60gf · cm

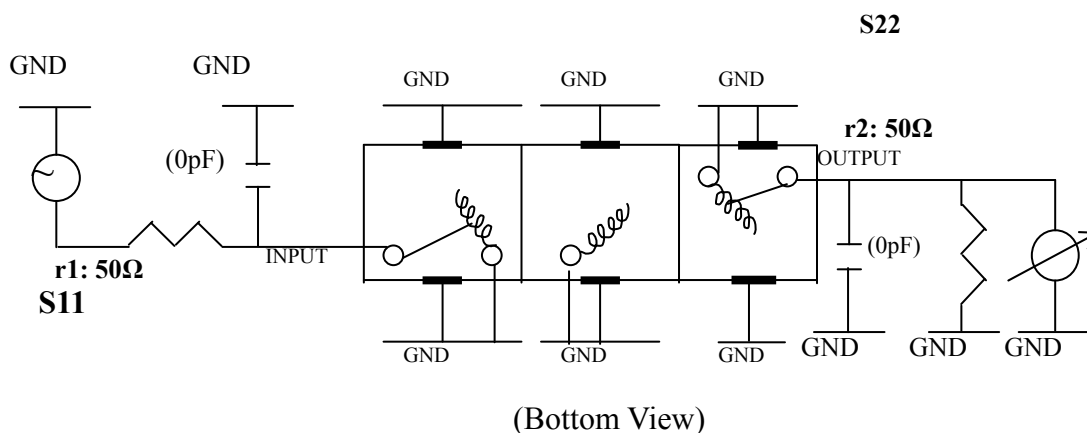
(5)Temperature Condition:

Operating Temperature	0°C ~ +60°C
Storage Temperature	-20°C ~ +70°C

(6)Input Power

> 0.5Watt

(7)Measuring Circuit: ※Easy to match Impedance S11/S22 50Ω by parallel with about(0pF) / (0pF).



Approval	Supervisor	Designer	Aperture size
C.Y.Chang	C.K.Chang	C.S.Chang	5W3(3.8*4.0)*(4.15) 5HW020RB4.5

TEMWELL CORPORATION

TEMWELL

Form10-5W3B Vision D

RP(C.S.C)

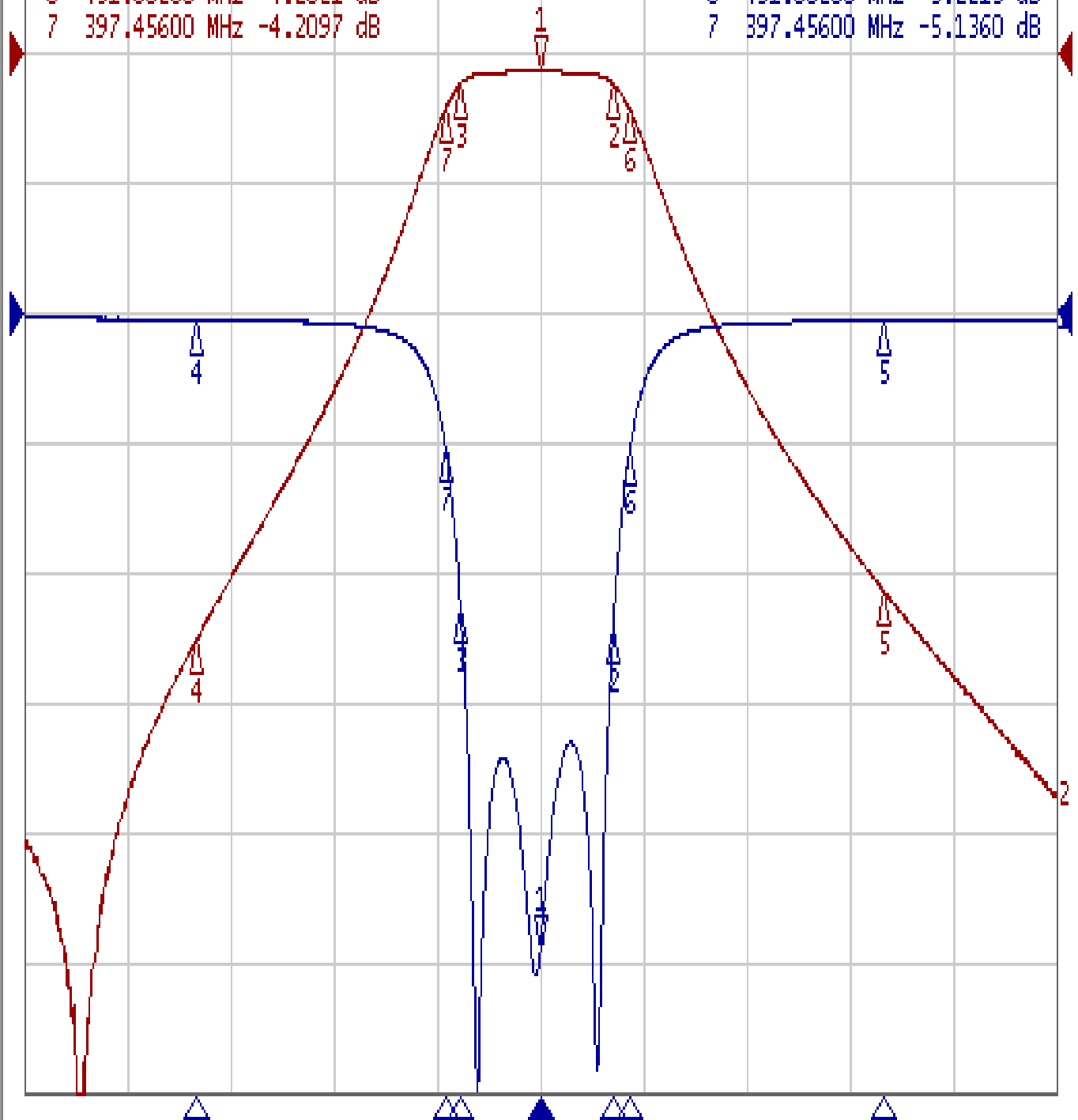
Performance-TTW3918B-425M-50M

200903062CD

▶ Tr1 S11 Log Mag 5.000dB/ Ref 0.000dB [F3]
Tr2 S21 Log Mag 10.00dB/ Ref 0.000dB [F3]

1	425.00000 MHz	-1.2747 dB
2	446.20100 MHz	-2.2796 dB
3	401.82200 MHz	-2.2785 dB
4	325.00000 MHz	-45.119 dB
5	525.00000 MHz	-41.388 dB
6	451.00200 MHz	-4.2621 dB
7	397.45600 MHz	-4.2097 dB

>1	425.00000 MHz	-24.537 dB
2	446.20100 MHz	-12.154 dB
3	401.82200 MHz	-11.326 dB
4	325.00000 MHz	-0.2253 dB
5	525.00000 MHz	-0.2658 dB
6	451.00200 MHz	-5.2213 dB
7	397.45600 MHz	-5.1360 dB



1 Center 425 MHz

IFBW 10 kHz

Span 300 MHz

