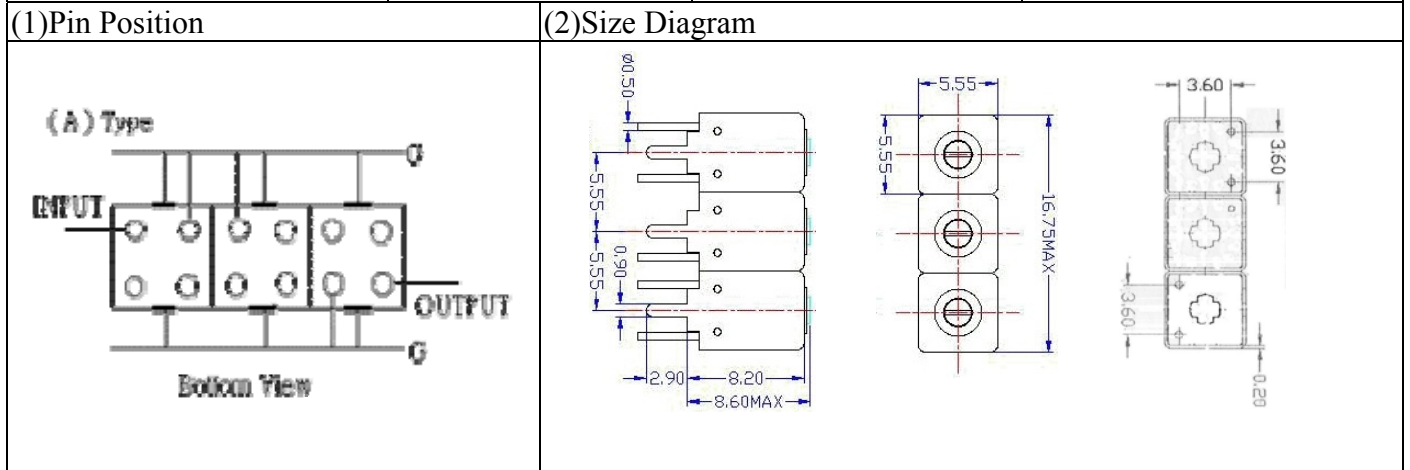


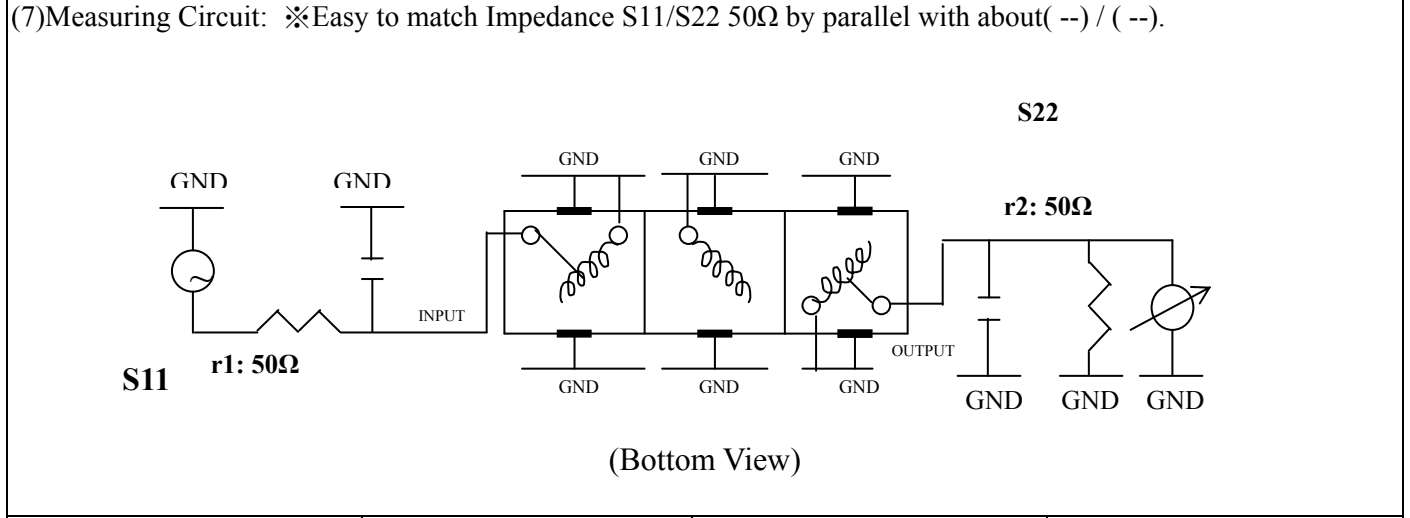
VHF UHF Helical Filter Specification Sheet

Customer Name		Temwell's Part No.	TTW3933A-280M
Approval No. /dated	201007061CD	Temwell's Print Name.	3933A 280M
Work Instruction No.	201007061CD	Date	Jul.13.2010



(3) Electric Characteristic			
Item		Specify	Performance
Center Freq.(Fo) +/- 0.5 %		280 MHz	280 MHz
Insertion Loss		Typ. 6.5 dB	4.44 dB
-3 dB Bandwidth		Typ. 10 MHz	13.3 MHz
Sensitivity (Attenuation)	Fo -30 MHz	Typ. 40 dBc	41 dBc
	Fo +30 MHz	Typ. 35 dBc	37 dBc
	Fo - ()MHz	Typ. dBc	dBc
	Fo +()MHz	Typ. dBc	dBc
Return Loss		Min. 12 dB	18.1 dB
Ripple		< 1 dB	dB
Impedance		In / Out : 50Ω	In / Out : 50Ω
(4) Torque for Tuning Screw		> 60gf • cm	

(5) Temperature Condition:	
Operating Temperature	0°C ~ +60°C
Storage Temperature	-20°C ~ +70°C
(6) Input Power	>0.5Watt



Approval	Supervisor	Designer	Aperture size
C.Y.Chang	C.K.Chang	P.H.Chiang	5w3(3.8*4.0)(4.13) 5HW00LB3
TEMWELL CORPORATION			

Performance-TTW3933A-280M

201007061CD

▶ Tr1 S11 Log Mag 5.000dB/ Ref 0.000dB [F2]
Tr2 S21 Log Mag 10.00dB/ Ref 0.000dB [F2]

