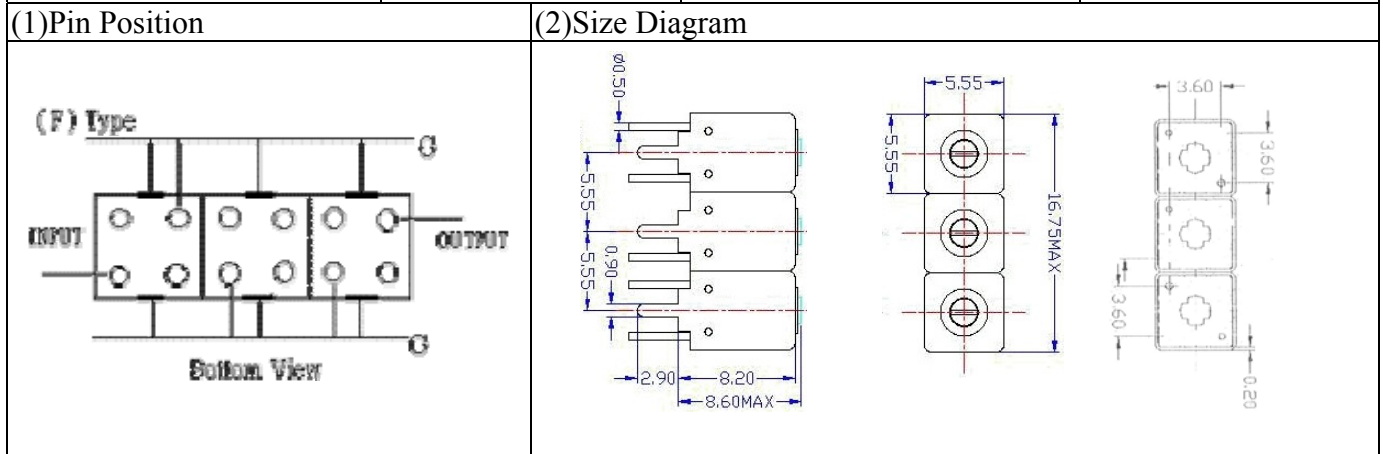


VHF UHF Helical Filter Specification Sheet

Customer Name		Temwell's Part No.	TTWL3473F-614M
Approval No. /dated	0709073APR	Temwell's Print Name.	3473F 614M
Work Instruction No.	0709073C	Date	Oct.03.2007



(3) Electric Characteristic

Item		Specify	Performance
Center Freq.(Fo) +/- 0.5 %		614 MHz	614 MHz
Tunable Range:		614±5 MHz	614±5 MHz
Insertion Loss		Typ. 3.5 dB	2.14 dB
-3dB Bandwidth		Typ. 26 MHz	32.5 MHz
Sensitivity (Attenuation)	Fo - 70 MHz	Typ. 38 dBc	40 dBc
	Fo + 70 MHz	Typ. 38 dBc	41 dBc
Return Loss	S11 At 602 MHz	> 10 dB	15 dB
	S11 At 626 MHz	> 10 dB	14 dB
	S22 At 602 MHz	> 10 dB	19 dB
	S22 At 626 MHz	> 10 dB	14 dB
Ripple		< 1 dB	dB
Impedance		In / Out : 75 Ω	In / Out : 75 Ω
(4) Torque for Tuning Screw		> 60gf • cm	

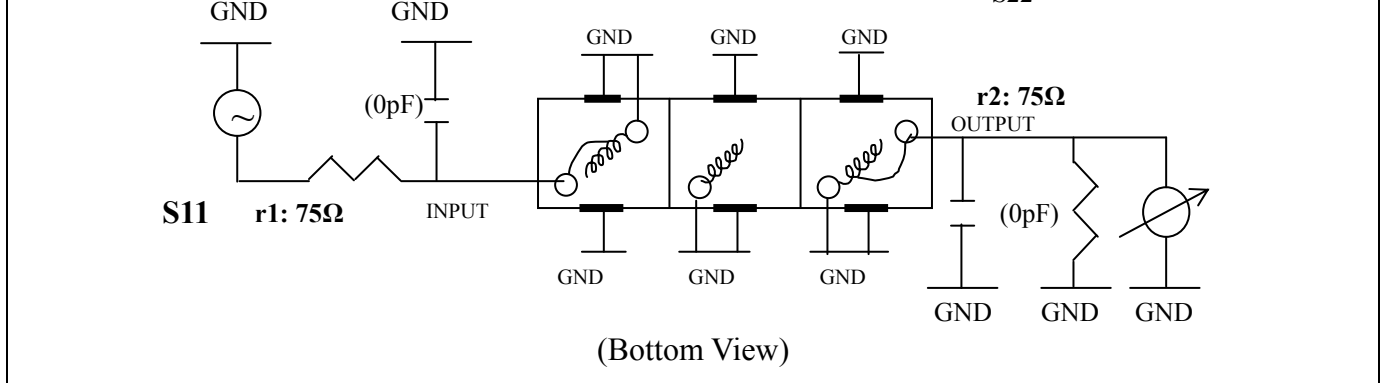
(5) Temperature Condition:

Operating Temperature	0°C ~ +60°C
Storage Temperature	-20°C ~ +70°C

(6) Input Power

> 0.5Watt

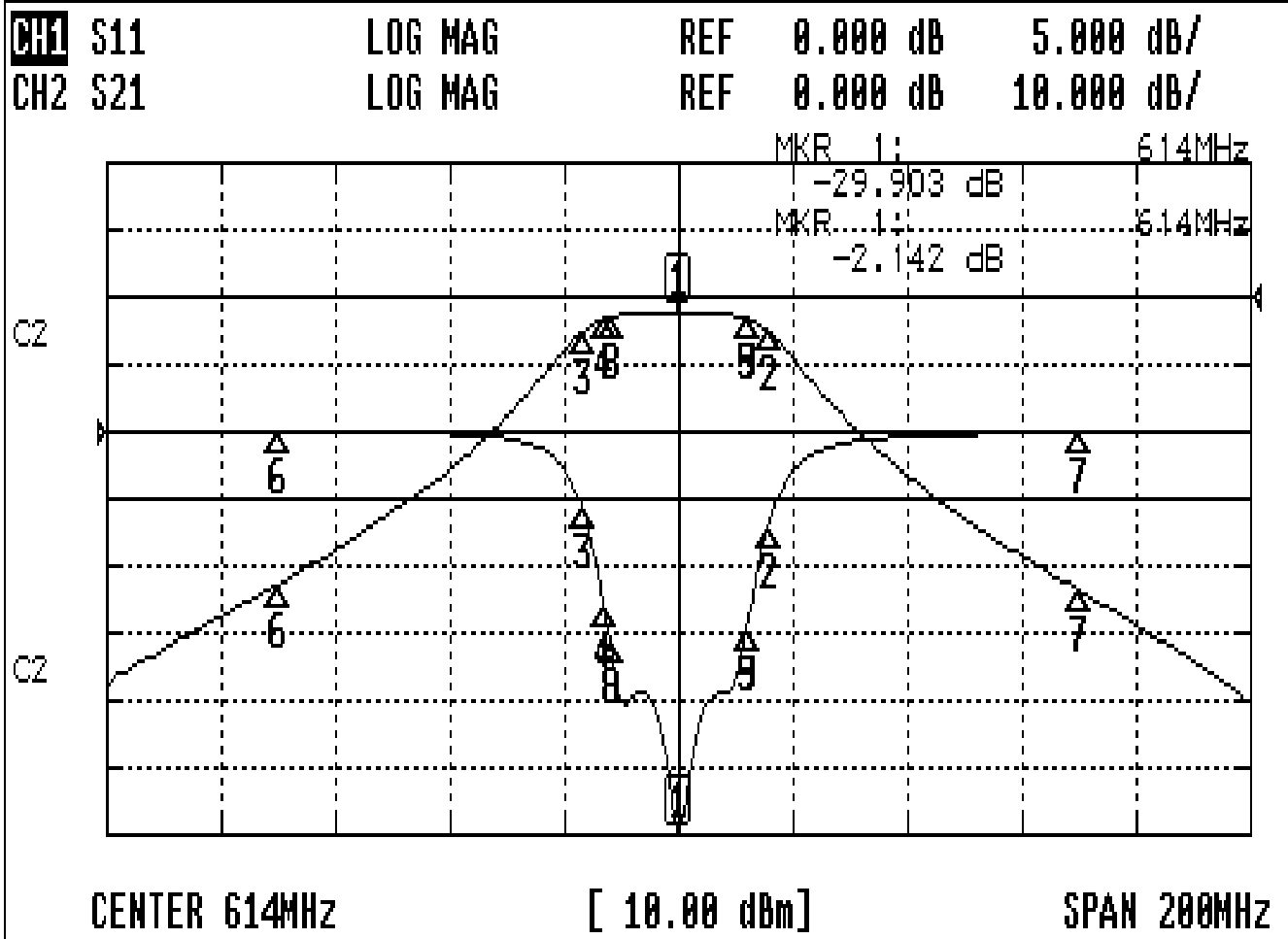
(7) Measuring Circuit: ※Easy to match Impedance S11/S22 75Ω by parallel with about (0 pF) / (0 pF).



Approval	Supervisor	Designer	Aperture size
C.Y.Chang	C.S.Chang	P.H.Chiang	5W3(3.8*4.0)(4.12) (5HW024RB3)
TEMWELL CORPORATION			

Performance-TTWL3473F-614M

0709073C



CH1 MARKER LIST

1:	614.000MHz	-29.788	dB
2:	629.833MHz	-6.887	dB
3:	597.333MHz	-15.796	dB
4:	601.166MHz	-13.228	dB
5:	626.000MHz	-14.686	dB
6:	544.000MHz	0.060	dB
7:	684.000MHz	-0.026	dB
8:	602.000MHz	-15.512	dB
9:	626.000MHz	-14.686	dB
10:			

CH2 MARKER LIST

1:	614.000MHz	-2.142	dB
2:	629.833MHz	-1.194	dB
3:	597.333MHz	-1.113	dB
4:	601.166MHz	-1.132	dB
5:	626.000MHz	-1.184	dB
6:	544.000MHz	-4.617	dB
7:	684.000MHz	-4.663	dB
8:	602.000MHz	-2.904	dB
9:	626.000MHz	-3.184	dB
10:			