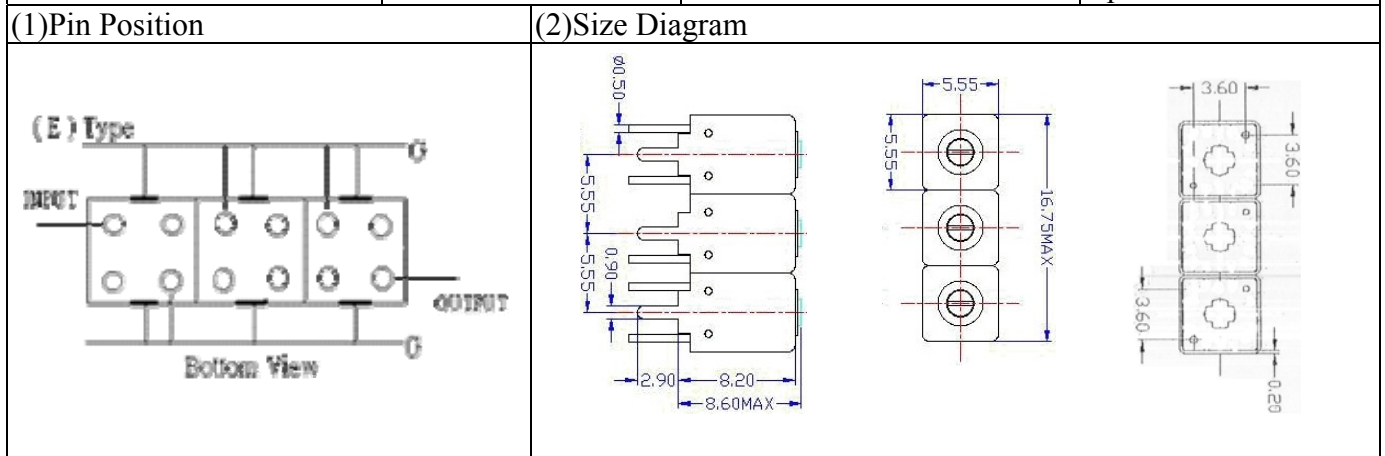


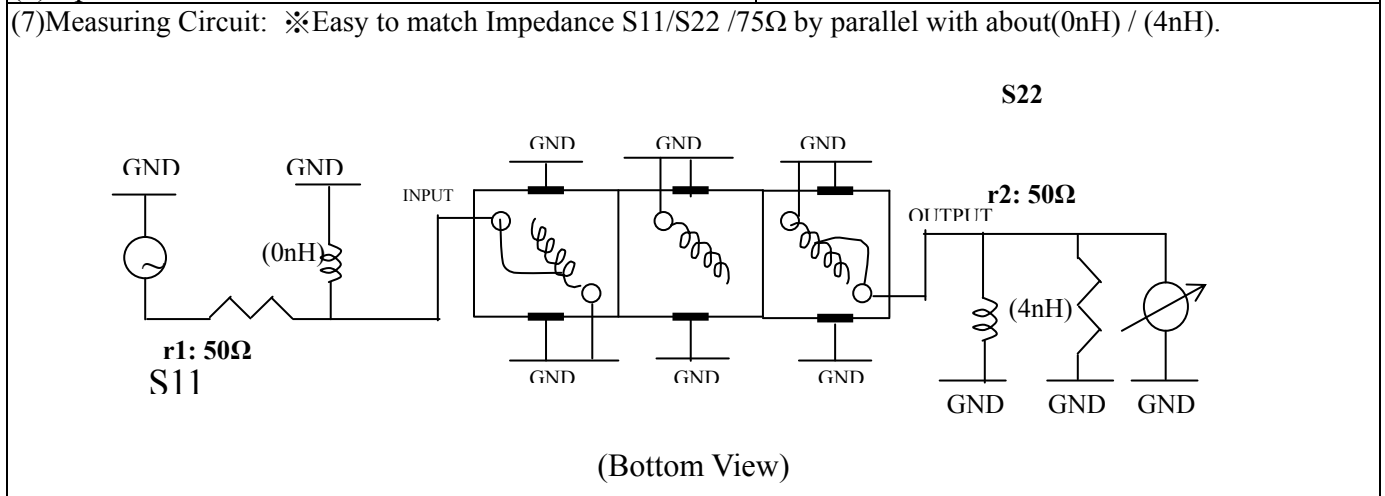
VHF UHF Helical Filter Specification Sheet

Customer Name		Temwell's Part No.	TTWL3584E-1413M
Approval No. /dated	20404040DB	Customer's Part No.	
Work Instruction No.	20404040DB	Date	Apr.16.2004



(3) Electric Characteristic			
Item	Specify	Performance	
Center Freq.(Fo) +/- 0.5 %	1413 MHz	1413	MHz
Tunable Range: <input checked="" type="checkbox"/> Fo±5MHz <input type="checkbox"/> Fo±10MHz <input type="checkbox"/> Fo±15MHz	1413±5 MHz	1413±5	MHz
Insertion Loss	Typ. 4.5 dB	3.30	dB
-3 dB Bandwidth	Typ. 45 MHz	48	MHz
Sensitivity (Attenuation)	Fo - 140 MHz	Typ. 50	dBc
	Fo + 63 MHz	Typ. 25	dBc
	Fo - ()MHz	Typ.	dBc
	Fo +()MHz	Typ.	dBc
Return Loss	Min. 12 dB	22	dB
Ripple	< 1 dB		dB
Impedance	In / Out : 75 Ω	In / Out : 75 Ω	
(4) Torque for Tuning Screw		> 60gf · cm	

(5) Temperature Condition:	
Operating Temperature	0°C ~ +60°C
Storage Temperature	-20°C ~ +70°C
(6) Input Power	
> 1 Watt	

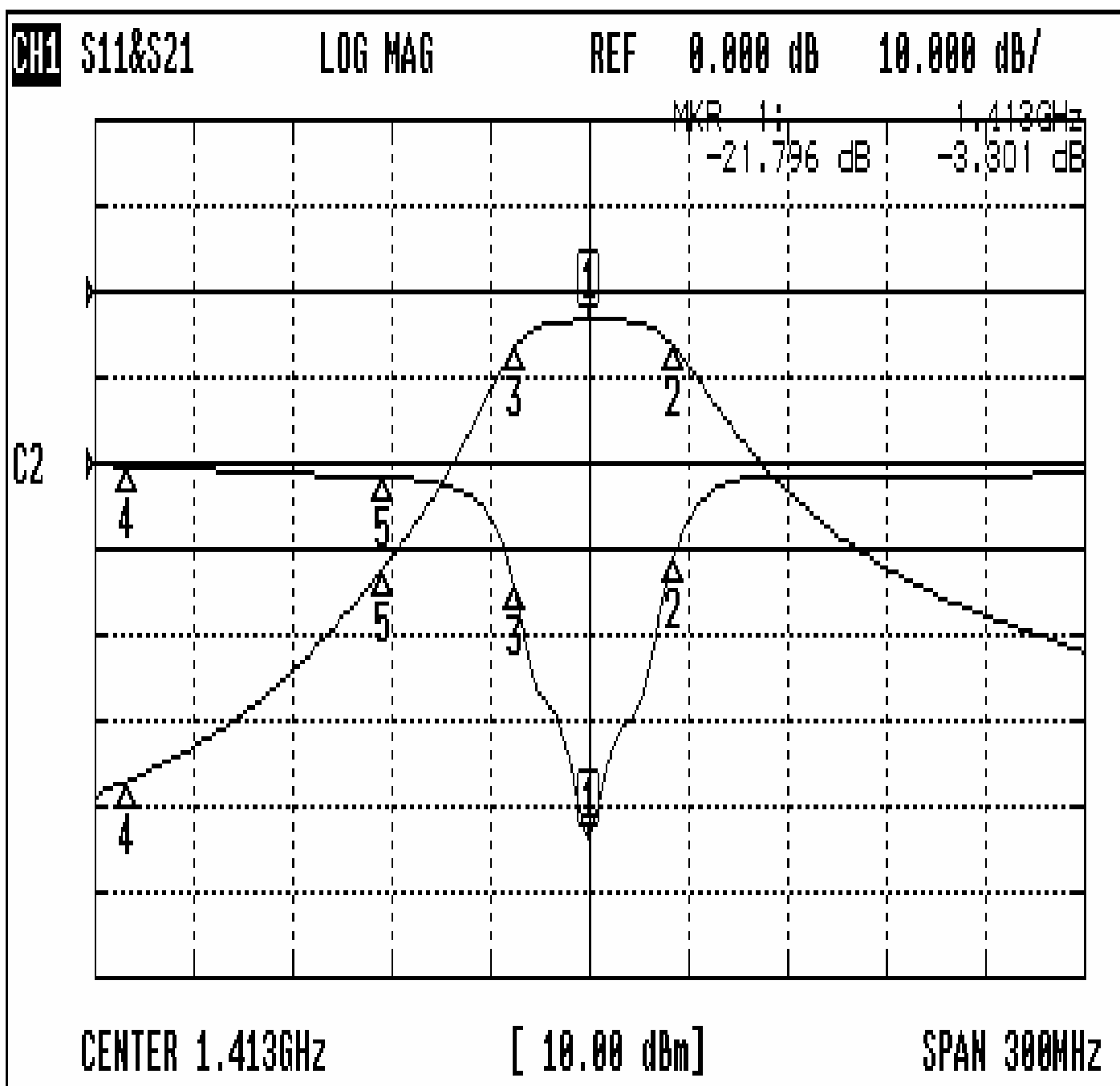


Approval	Supervisor	Designer	Aperture size
C.Y.Chang	C.S.Chang	P.H.Ching	5W3(3.8*4.0)(4.10) 5HW046RB3.2

TEMWELL CORPORATION

Performance-TTWL3584E-1413M

20404040DB



CH1 MARKER LIST

1:	1.413 000GHz	-21.796 dB	-3.301 dB
2:	1.438 500GHz	-5.603 dB	-6.276 dB
3:	1.390 500GHz	-7.204 dB	-6.320 dB
4:	1.273 000GHz	-0.156 dB	-57.066 dB
5:	1.350 000GHz	-0.752 dB	-32.581 dB