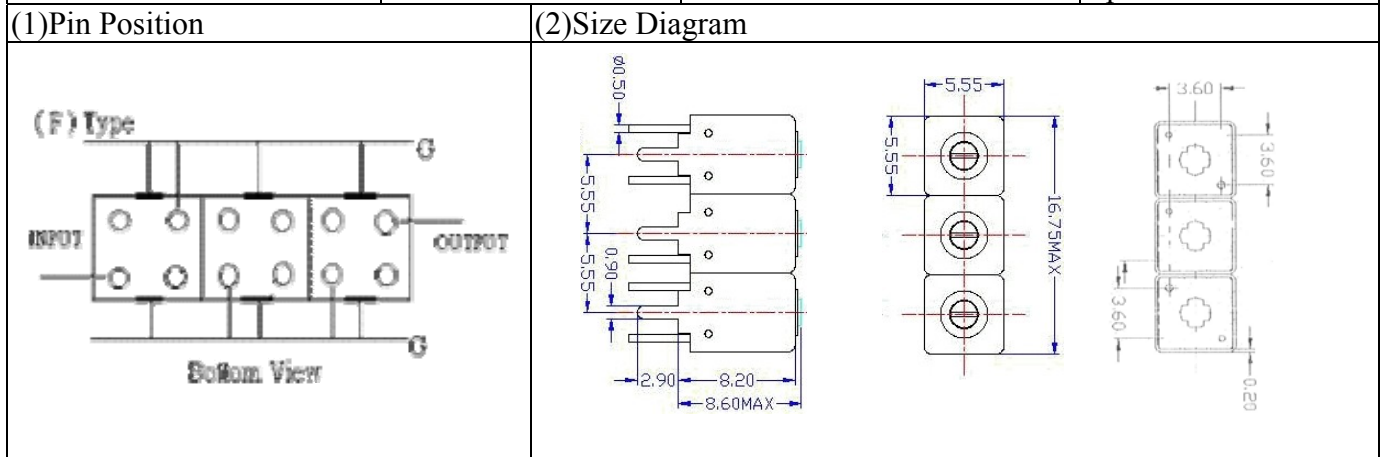


VHF UHF Helical Filter Specification Sheet

Customer Name		Temwell's Part No.	TTWL3634F-614M
Approval No. /dated	20507014APR	Temwell's Print Name.	3634F 614M
Work Instruction No.	0603050A	Date	Apr.03.2006



(3) Electric Characteristic

Item	Specify	Performance
Center Freq.(Fo) +/- 0.5 %	614 MHz	614 MHz
Tunable Range:	614±5 MHz	614±5 MHz
Insertion Loss	Typ. 3.0 dB	2.07 dB
-1dB Bandwidth	Typ. 24 MHz	25.1 MHz
Sensitivity (Attenuation)	Fo - 70 MHz	Typ. 38 dBc
	Fo + 70 MHz	Typ. 38 dBc
	Fo - ()MHz	Typ. dBc
	Fo +()MHz	Typ. dBc
Return Loss	S11 At 602MHz~626MHz	Min. 11 dB
	S22 At 602MHz~626MHz	Min. 11 dB
Ripple	< 1 dB	dB
Impedance	In / Out : 75 Ω	In / Out : 75 Ω

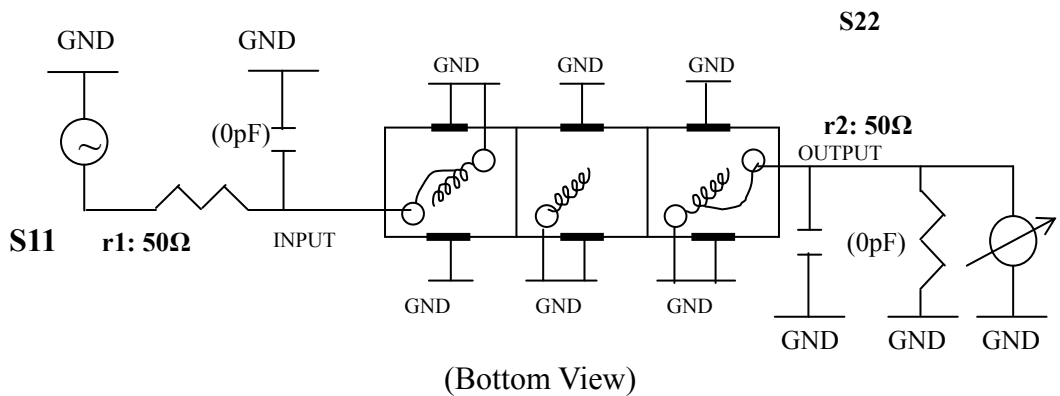
(4) Torque for Tuning Screw > 60gf • cm

(5) Temperature Condition:

Operating Temperature	0°C ~ +60°C
Storage Temperature	-20°C ~ +70°C

(6) Input Power > 1Watt

(7) Measuring Circuit: ※Easy to match Impedance S11/S22 75Ω by parallel with about (0 pF) / (0 pF).



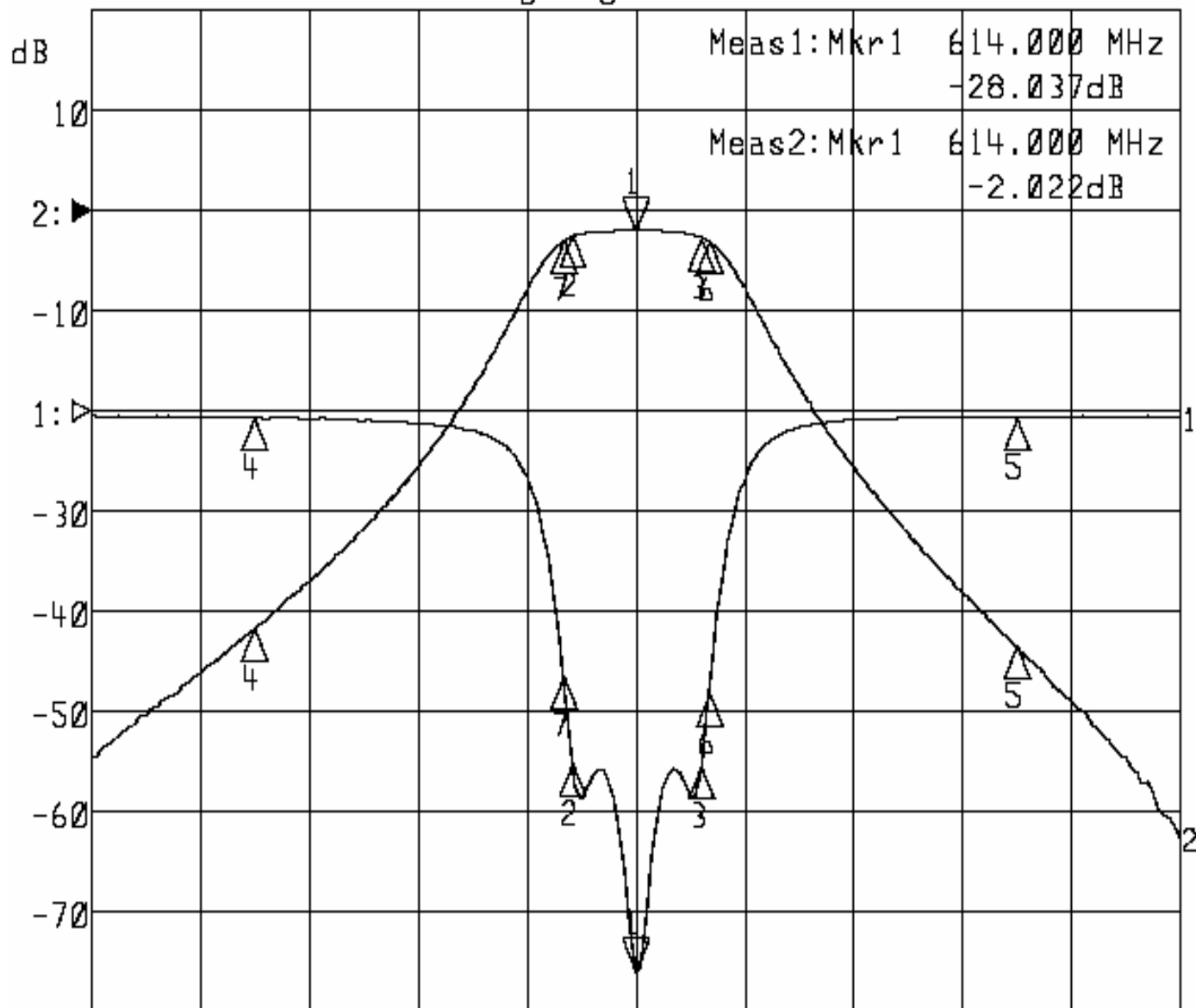
Approval	Supervisor	Designer	Aperture size
C.Y.Chang	C.S.Chang	J.F.Lin	5W3(3.8*4.0)(4.09) 5HW024RB3

TEMWELL CORPORATION

Performance-TTWL3634F-614M

0603050A

▶1: S11 Refl Port1 Log Mag 5.0 dB/ Ref 0.00 dB C
 ▶2: S21 Fwd Trans Log Mag 10.0 dB/ Ref 0.00 dB C



Meas1: Mkr1 614.000 MHz
 -28.037 dB
 Meas2: Mkr1 614.000 MHz
 -2.022 dB

Center 614.000 MHz

Span 200.000 MHz

1: Mkr (MHz)	dB	2: Mkr (MHz)	dB
1> 614.0000	-28.037	1> 614.0000	-2.022
2: 602.4667	-17.622	2: 602.4667	-2.581
3: 626.0000	-17.810	3: 626.0000	-2.631
4: 544.0000	-0.378	4: 544.0000	-41.711
5: 684.0000	-0.347	5: 684.0000	-43.535
6: 627.4000	-14.105	6: 627.4000	-3.042
7: 600.7333	-13.208	7: 600.7333	-3.078