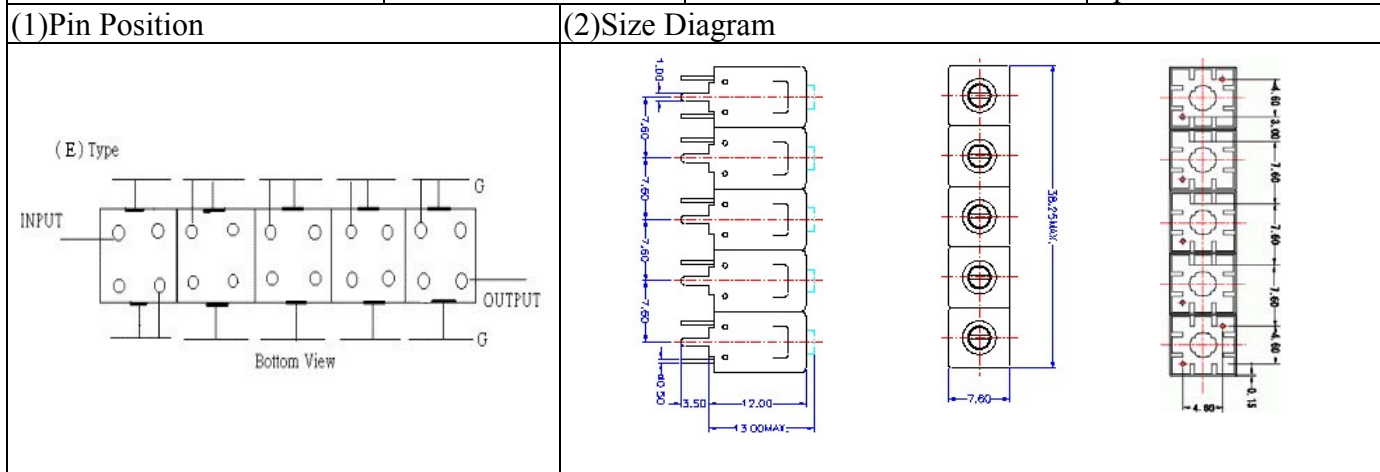


# VHF UHF Helical Filter Specification Sheet

Customer Name		Temwell's Part No.	TV6509E-485M
Approval No. /dated	201204094CD	Temwell's Print Name.	6509E 485M
Work Instruction No.	201204094CD	Date	Apr.27.2012



(3) Electric Character

Item	Specify	Performance	
Center Freq.(Fo) +/- 0.5 %	485 MHz	485 MHz	
Insertion Loss	Typ. 5.0 dB	4.50 dB	
-3 dB Bandwidth	Typ. 10 MHz	13.8 MHz	
Sensitivity (Attenuation)	Fo - 20 MHz	Typ. 50 dBc	53 dBc
	Fo + 20 MHz	Typ. 37 dBc	40 dBc
	Fo - ( )MHz	Typ. dBc	dBc
	Fo +( )MHz	Typ. dBc	dBc
Return Loss	Min. 12 dB	21.8 dB	
Ripple	< 1 dB	dB	
Impedance	In / Out : 50 Ω	In / Out : 50 Ω	
(4) Torque for Tuning Screw	> 60gf · cm		

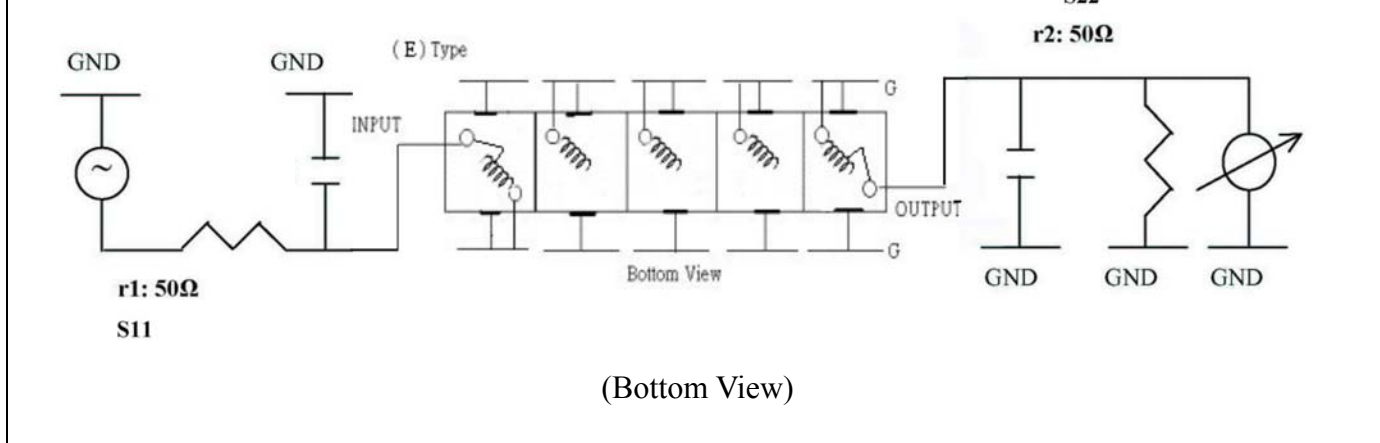
(5) Temperature Condition:

Operating Temperature	0°C ~ +60°C
Storage Temperature	-20°C ~ +70°C

(6) Input Power

> 1Watt

(7) Measuring Circuit: ※Easy to match Impedance S11/S22 50Ω by parallel with about(--)/(--).



Approval	Supervisor	Designer	Aperture size
C.Y.Chang	C.K.Chang	C.S.Chang	7H5S(4*5.5)(5.58) 7H046RB4.3 聚 3

TEMWELL CORPORATION

# Performance-TV6509E-485M

## 201204094CD

